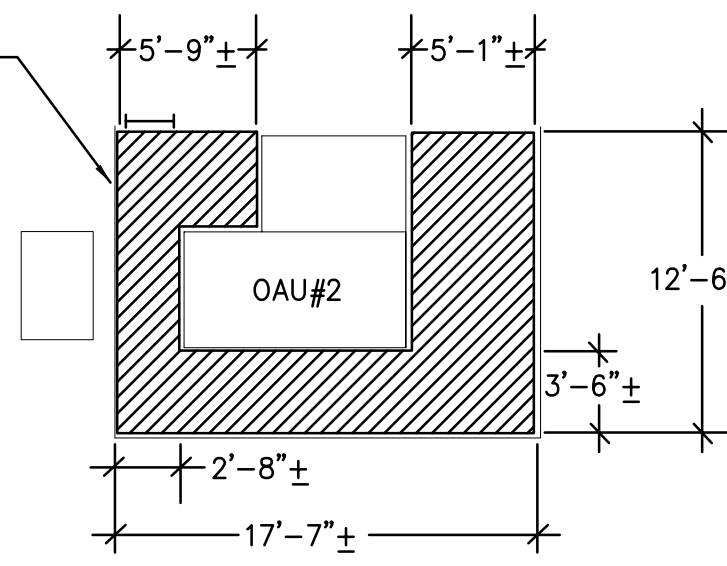
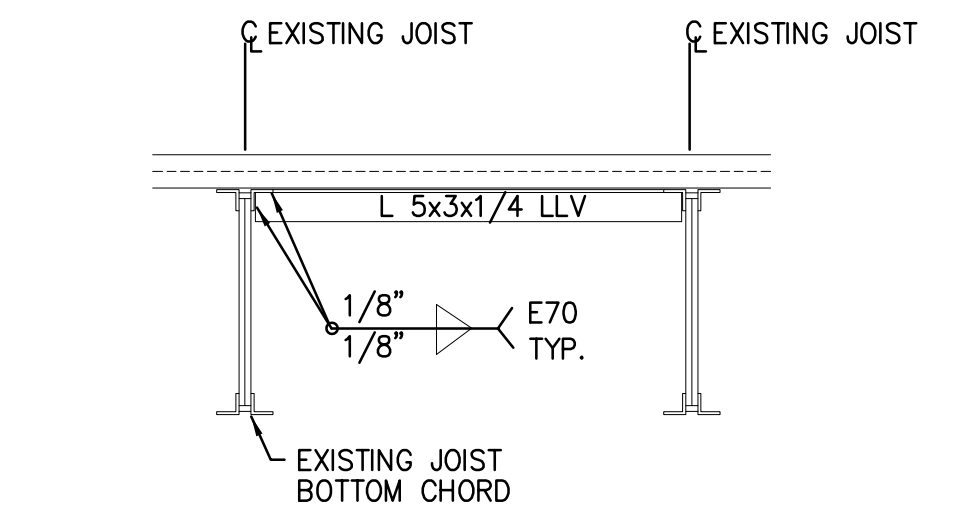
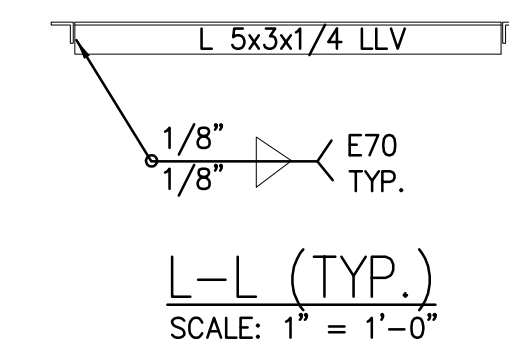


PROVIDE NEW 1 1/2"x3/16" GRATING (W/B OR WF) IKG BORDEN OR EQUAL; GALVANIZED AT EXISTING ROOFTOP UNIT STEEL PLATFORM WITH 30" TALL LADDER. FIELD VERIFY EXACT DIMENSIONS. PROVIDE REMOVABLE SECTIONS FOR ACCESS TO VALVES, RECEPTACLES, AND SMOKE DETECTORS BELOW GRATING. ATTACH GRATING TO BEAMS WITH LINDAPTER GRATING CLIPS.

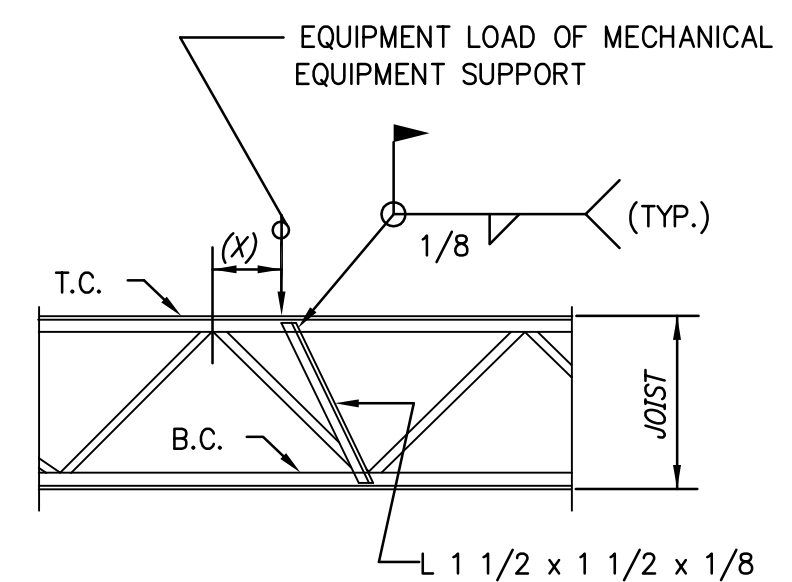
PROVIDE NEW 1 1/2"x3/16" GRATING (W/B OR WF) IKG BORDEN OR EQUAL; GALVANIZED AT EXISTING ROOFTOP UNIT STEEL PLATFORM WITH 30" TALL LADDER. FIELD VERIFY EXACT DIMENSIONS. PROVIDE REMOVABLE SECTIONS FOR ACCESS TO VALVES, RECEPTACLES, AND SMOKE DETECTORS BELOW GRATING. ATTACH GRATING TO BEAMS WITH LINDAPTER GRATING CLIPS.



ROOF WARRANTY:
NONE



PERPENDICULAR TO BAR JOIST (TYP.)
SCALE: 1" = 1'-0"



NOTE: WHERE EQUIPMENT LOAD FALLS BETWEEN T.C. PANEL POINTS, PROVIDE ONE L 1 1/2 X 1 1/2 X 1/8 WELDED TO TOP CHORD AND TO NEAREST BOTTOM CHORD PANEL POINT. THE L IS ONLY REQUIRED WHEN DIMENSION (X) IS GREATER THAN 6".

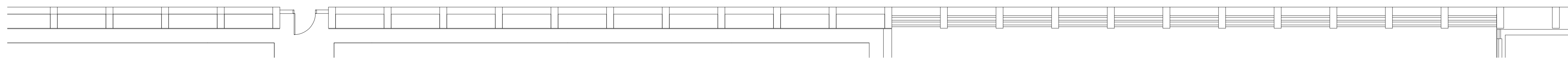
DO NOT REDUCE CROSS SECTION OF BAR JOIST TOP CHORD ANGLES. PREHEAT 5x3x1/4 TO 500° F. TYP.

TYPICAL JOIST REINFORCING WHERE
EQUIPMENT LOADS FALL BETWEEN
TOP CHORD PANEL POINTS
NO SCALE

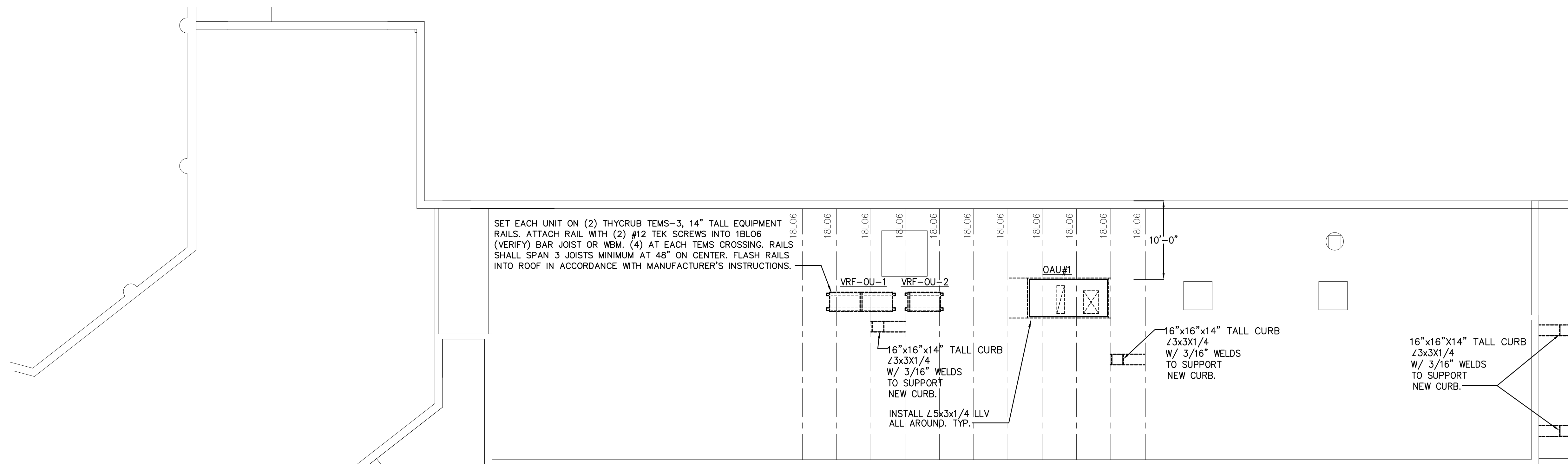
- GENERAL NOTES FOR STRUCTURAL STEEL
1. ALL STEEL CONSTRUCTION PER AISC 14TH ED.
 2. ALL PLATES AND L'S SHALL BE A-36.
 3. WELDS 3/16" FILLET UNQ AND ARE BASED ON THE E70XX WELDING ELECTRODE SERIES.

NOTE: ALL DIMENSIONS TO BE VERIFIED AND DETERMINED IN FIELD TO SUIT EXISTING CONDITIONS AND EQUIPMENT ACTUALLY USED PRIOR TO PREPARATION AND SUBMITTAL OF SHOP DRAWINGS.

STRUCTURAL DESIGN:
LOUISA ENGINEERING
804-512-4865
JOHN H. NEDZA, PE, LIC. NO. 13290



FRONT ROOF PLAN - STRUCTURAL - NEW WORK
SCALE: 1/8" = 1'-0"



SET EACH UNIT ON (2) THYCRUB TEMS-3, 14" TALL EQUIPMENT RAILS. ATTACH RAIL WITH (2) #12 TEK SCREWS INTO 18L06 (VERIFY) BAR JOIST OR WBM. (4) AT EACH TEMS CROSSING. RAILS SHALL SPAN 3 JOISTS MINIMUM AT 48" ON CENTER. FLASH RAILS INTO ROOF IN ACCORDANCE WITH MANUFACTURER'S INSTRUCTIONS.

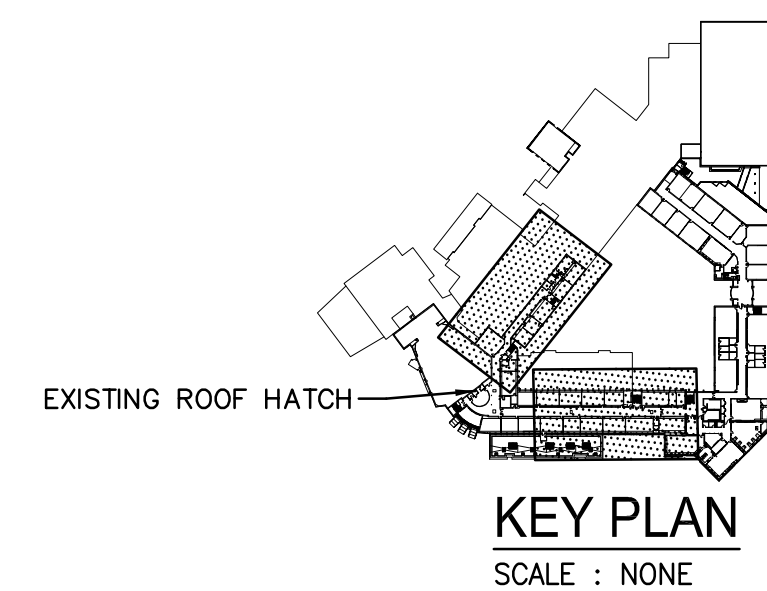
16"x16"x14" TALL CURB
23x3x1/4
W/ 3/16" WELDS
TO SUPPORT
NEW CURB.

16"x16"x14" TALL CURB
23x3x1/4
W/ 3/16" WELDS
TO SUPPORT
NEW CURB.

16"x16"x14" TALL CURB
23x3x1/4
W/ 3/16" WELDS
TO SUPPORT
NEW CURB.

NOTE (APPLIES TO ALL NEW ROOFTOP EQUIPMENT):
PROVIDE 30"x30" WALKWAY PADS GLUED TO ROOF MEMBRANE TO UNITS FROM EXISTING WALK PATH AND AROUND ALL FOUR SIDES.

ROOF PLAN - STRUCTURAL - NEW WORK
SCALE: 1/8" = 1'-0"



EXISTING ROOF HATCH

KEY PLAN
SCALE: NONE