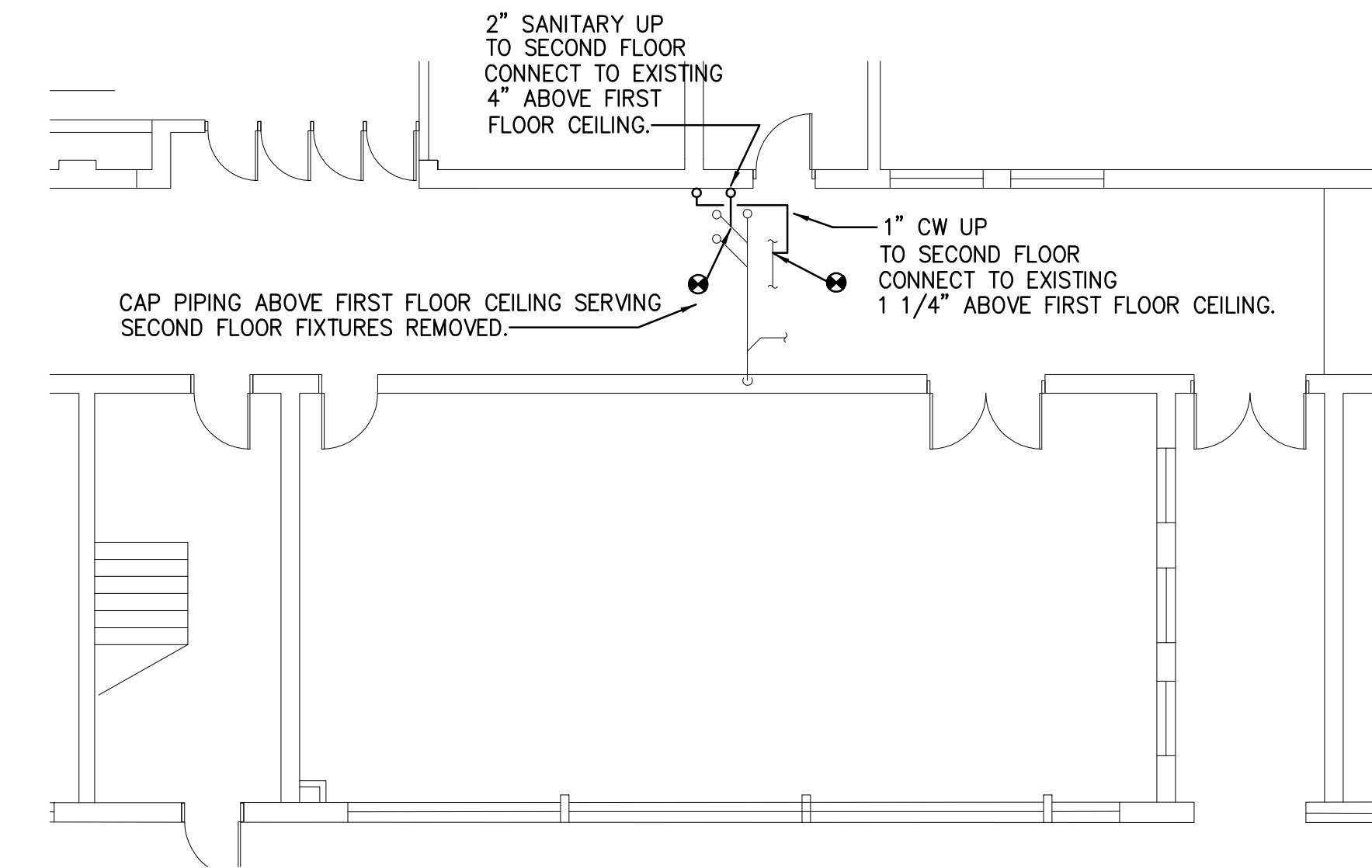
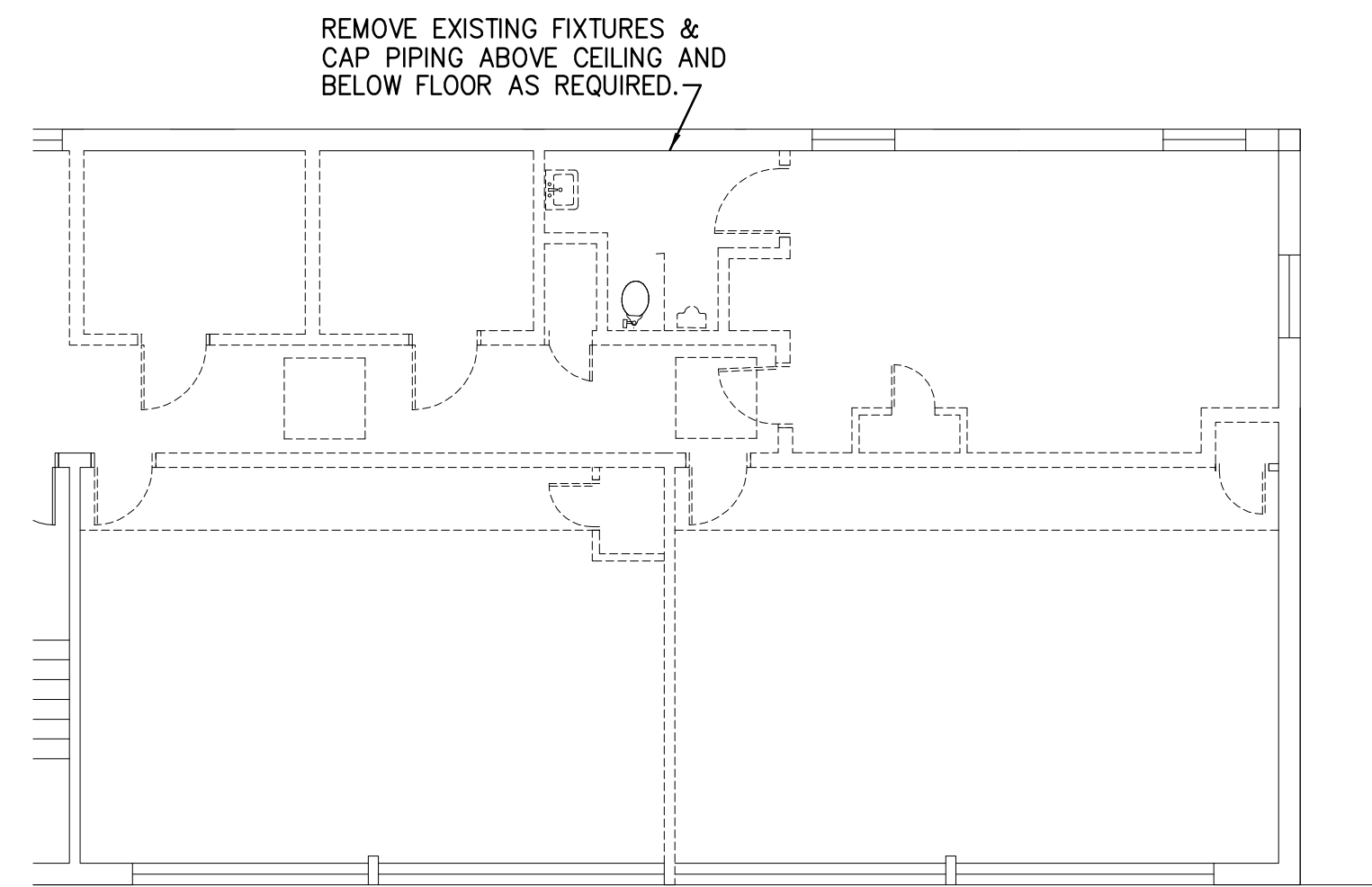


GENERAL CONSTRUCTION NOTES – PLUMBING

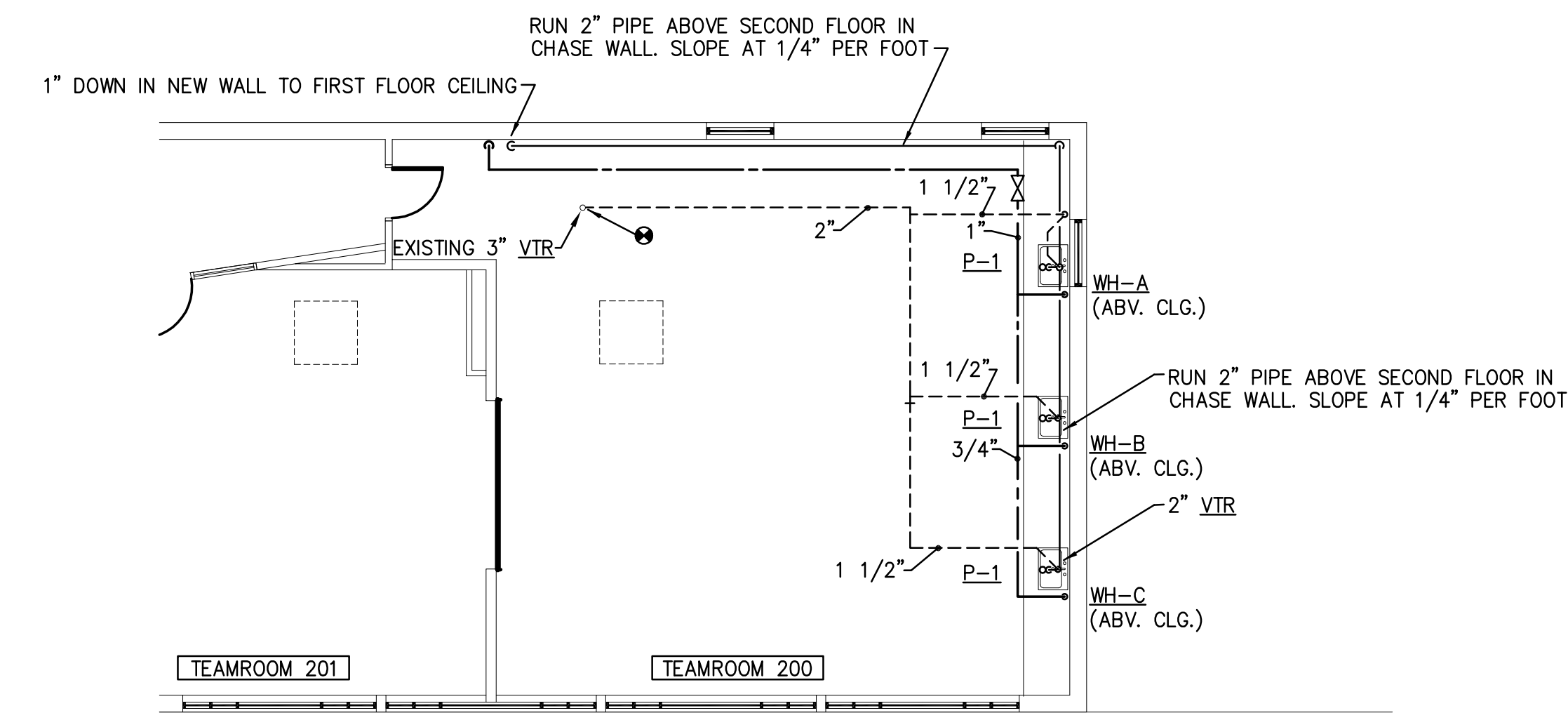
- REFER TO ARCHITECTURAL SPECIFICATIONS AND DRAWINGS FOR DESCRIPTION AND LOCATION OF CASEWORK & EQUIPMENT.
- PLUMBING CONTRACTOR SHALL ROUGH-IN FOR EQUIPMENT AFTER RECEIVING APPROVED DRAWING FROM THE ARCHITECT.
- THE VARIOUS EQUIPMENT SUPPLIERS SHALL SET EQUIPMENT IN PLACE, AND PLUMBING CONTRACTOR SHALL PROVIDE INTERCONNECTING PIPING NOT PROVIDED BY EQUIPMENT SUPPLIER, FINAL CONNECTIONS, SUITABLE STOPS, AND TRAPS TO CASEWORK & EQUIPMENT.
- FIRE STOP ALL PIPING PASSING THROUGH FIRE WALLS.
- REFER TO ARCHITECTURAL DRAWINGS FOR EXACT LOCATION OF PLUMBING FIXTURES.
- ALL PIPING THAT IS SHOWN AS EXISTING IS SHOWN FOR CONVENIENCE ONLY. THE PLUMBING CONTRACTOR SHALL FIELD LOCATE ALL EXISTING PIPING REQUIRING REMOVAL OR RECONNECTION DUE TO RENOVATION.
- THE PLUMBING CONTRACTOR SHALL LOCATE & VERIFY THE SIZE, INVERT ELEVATION & DIRECTION OF FLOW OF THE EXISTING SANITARY BUILDING DRAIN BEFORE STARTING NEW WORK.
- WHERE NEW PIPING IS INSTALLED IN EXISTING WALLS OR BELOW EXISTING FLOORS, THE EXIST. WALLS AND FLOORS SHALL BE CUT & PATCHED IN ACCORDANCE WITH THE ARCHITECTURAL SPECIFICATIONS.
- REFER TO WATER RISERS AND SANITARY SCHEMATICS FOR PIPING AND SIZES NOT SHOWN ON PLANS.



FIRST FLOOR PLAN - PLUMBING - NEW WORK
SCALE : 1/8" = 1'-0"



SECOND FLOOR PLAN - PLUMBING - DEMOLITION
SCALE : 1/8" = 1'-0"



SECOND FLOOR PLAN - PLUMBING - NEW WORK
SCALE : 1/8" = 1'-0"

NOTES:
EXISTING WORK SHOWN LIGHT.
DEMOLITION WORK SHOWN DASHED.
NEW WORK SHOWN DARK.

BCWH ARCHITECTURE
INTERIORS
LANDSCAPE
CAMPUS PLANNING

Suite 400
Richmond, Virginia 23220
www.BCWH.com
804-788-4774 PHONE
804-788-0989 FAX

SRP 8416 Glassbrook Avenue
Richmond, VA 23228
phone: (804)262-7323
fax: (804)262-0021
web site: www.srpinc.com

SIMMONS, ROCKECHARLIE & PRINCE INC.
Mechanical and Electrical Engineers
PROJECT NUMBER: 17009

**AHS
MODERNIZATION/
HVAC UPGRADE**

ALBEMARLE COUNTY
PUBLIC SCHOOLS
2775 HYDRAULIC ROAD
CHARLOTTESVILLE, VA
22901

© BCWH, Inc.
Material included herein is covered by copyright. Use of this work in whole or in part is forbidden without the expressed written consent of BCWH, Inc.

PROJECT NUMBER:
2016.40

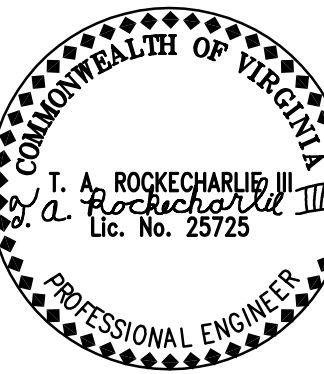
PROJECT MANAGER:
TAR

DRAWN BY:
TAR III

ISSUE DATE:
3/24/2017

BID DOCUMENTS

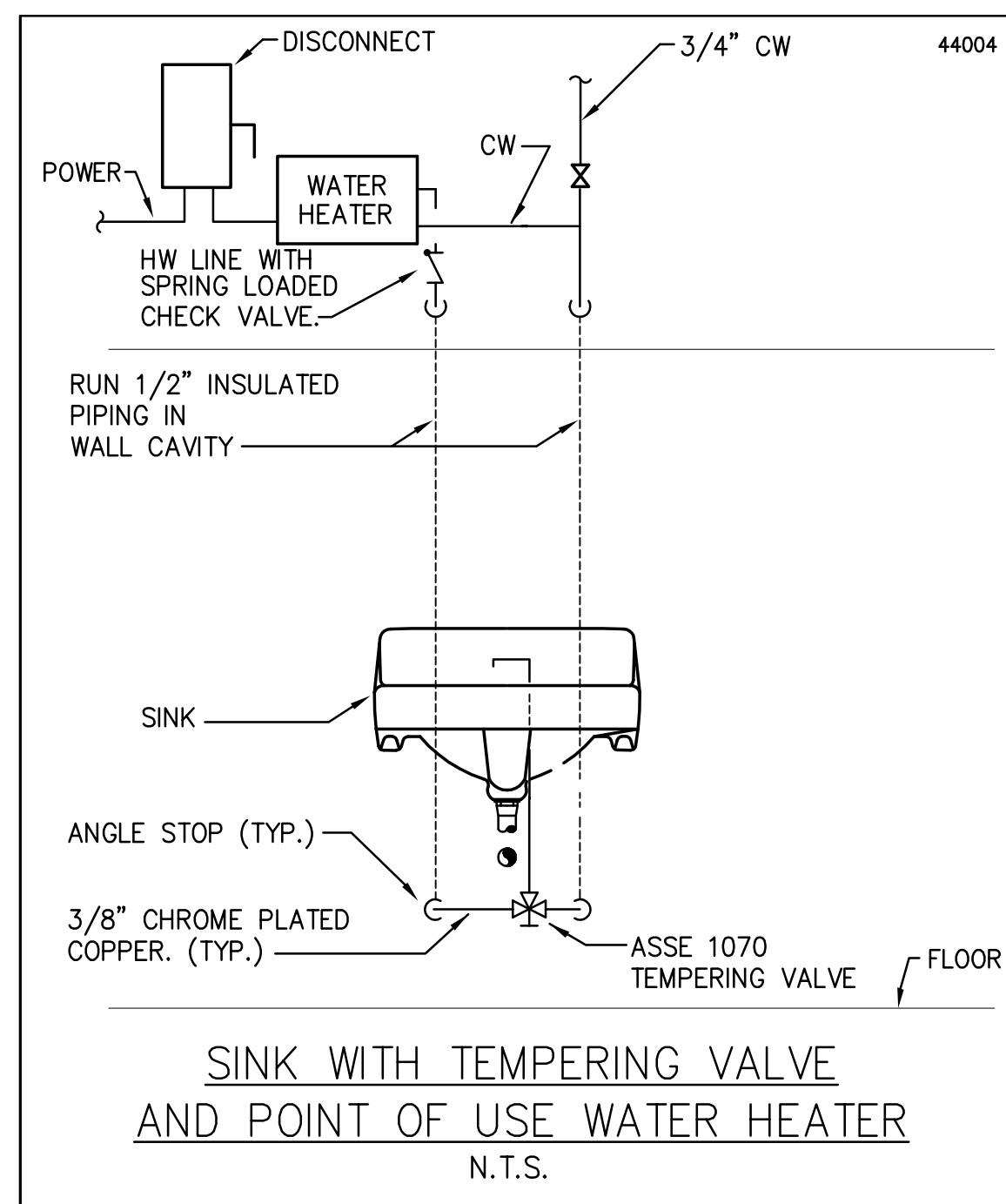
REVISIONS:



PLUMBING FIXTURE SCHEDULE						
P-NO.	FIXTURE	HOT WATER	COLD WATER	SOIL OR WASTE	VENT	REMARKS
P-1	SINK	1/2"	1/2"	1 1/2"	1 1/2"	SINK AND FAUCET FURNISHED WITH CASEWORK.

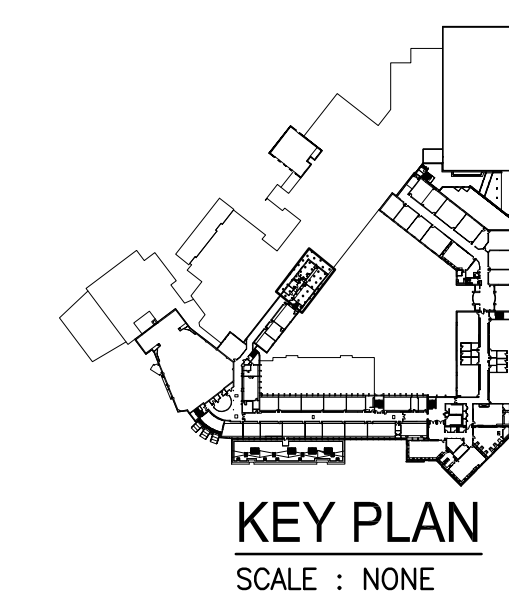
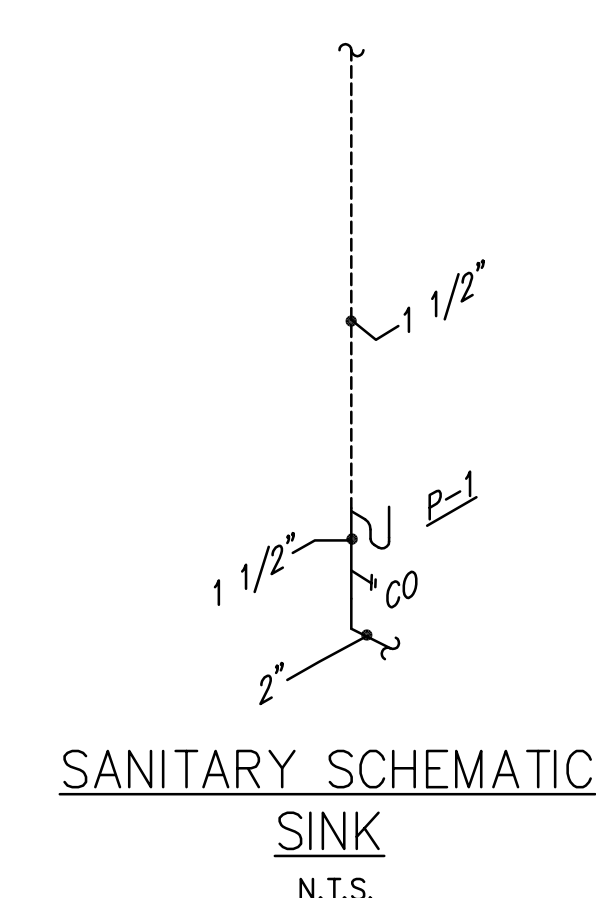
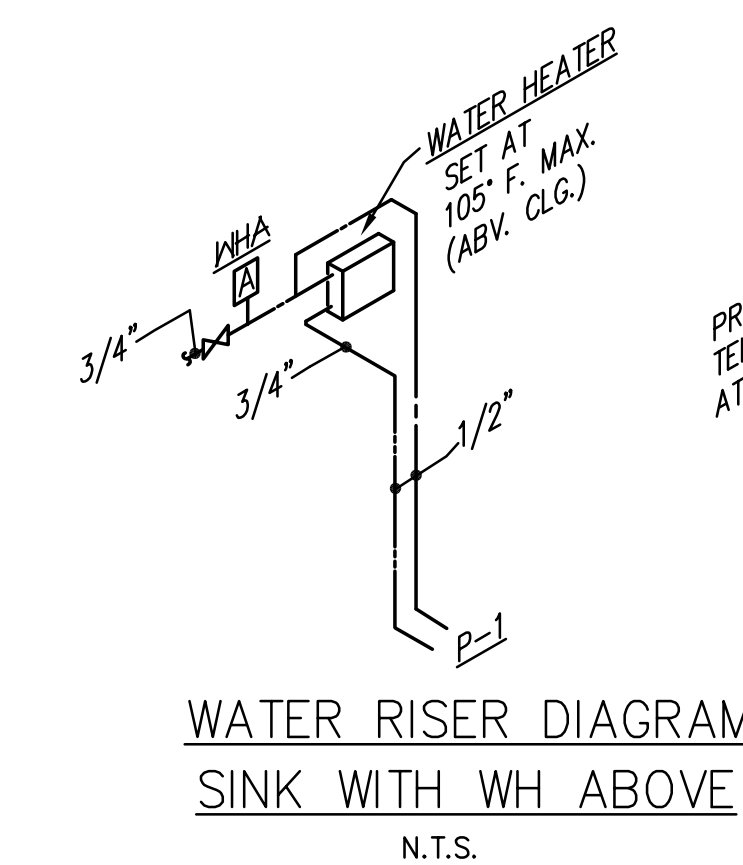
WATER HEATER SCHEDULE										
WATER HEATER NUMBER	TANK STORAGE SIZE	RECOVERY GPH THRU 100FT. RISE	CONTROL STEPS	VOLTAGE	NUMBER OF ELEMENTS	TOT. WATTAGE OR BTU/HR INPUT	HW SUPPLY TEMP. SETTING	BASIS OF DESIGN		REMARKS
WH-A,B,C	-	-	-	277/1/60	-	4.15 KW	105F. MAX.	CHRONOMITE	M-15L	

NOTES:
1) WATER HEATER SHALL BE ENERGY EFFICIENT TYPE FOR BOTH THERMAL & STANDBY LOSSES.



PLUMBING LEGEND

- COLD WATER
- HOT WATER
- SOIL OR WASTE
- SOIL OR WASTE BELOW FLOOR
- VENT
- CLEAN OUT, GRADE-IN VERT.
- DRAIN, OPEN HUB
- FLUID FLOW IN DIRECTION OF ARROW
- ⊥ HB OUTLET, HOSE BIBB
- ⊥ WH OUTLET, WALL HYDRANT
- PIPE BRANCH OUT OF BOTTOM
- PIPE BRANCH OUT OF SIDE
- PIPE BRANCH OUT OF TOP
- PIPE ELBOW
- PIPE ELBOW DOWN
- PIPE ELBOW UP
- PIPE ELBOW UP OR DOWN
- PIPE LATERAL, TEE WYE
- PITCH DOWN IN DIRECTION OF ARROW
- ⊥ TRAP, P
- ⊥ VALVE, SHUT-OFF
- ⊥ WATER HAMMER ARRESTOR - TYPE
- ⊥ ABOVE FINISHED FLOOR
- SLOPE PIPE DOWN
- ⊙ NEW CONNECTION TO EXISTING



SHEET TITLE:
FIRST AND SECOND FLOOR
NEW WORK

SHEET NUMBER:

P101