

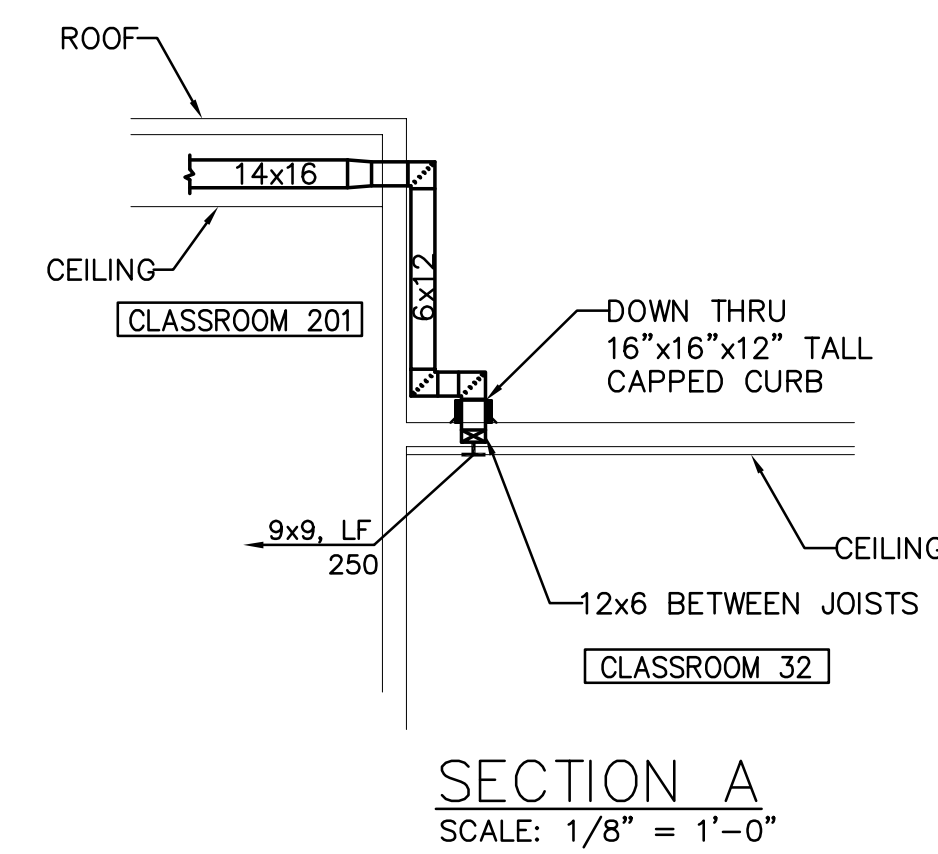
**SECOND FLOOR PLAN - HVAC - NEW WORK**  
SCALE : 1/8" = 1'-0"

**NEW WORK NOTES:**

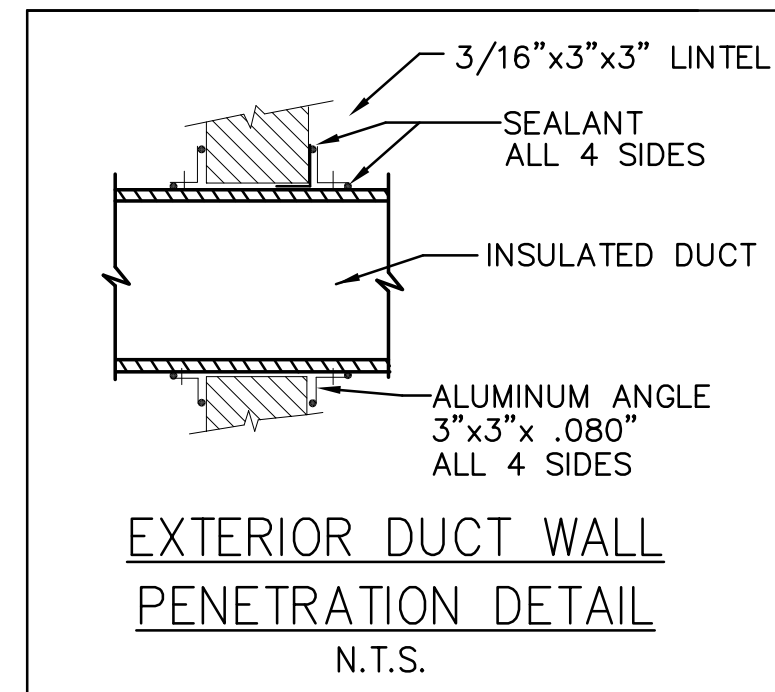
- ① 12x6 RETURN DUCT DOWN THROUGH FLOOR INTO 1ST FLOOR CEILING, PROVIDE FD/AD AT FLOOR PENETRATION.
- ② VRF REFRIGERANT PIPING DOWN TO FIRST FLOOR.
- ③ 10x8 SUPPLY AND RETURN AIR DUCT DOWN THROUGH FLOOR INTO 1ST FLOOR CEILING. PROVIDE FD/AD AT FLOOR PENETRATION.
- ④ RUN 12x6 SUPPLY AND RETURN AIR DUCT WORK DOWN EXTERIOR WALL AND THROUGH NEW 16"x16"x14" ROOF CURB TO AIR DEVICES IN 1ST FLOOR CEILING.
- ⑤ NOT USED.
- ⑥ 1 1/2" HWS & HWR PIPING FROM FIRST FLOOR UP IN PIPE CHASE ABOVE CEILING.

**NOTE:**  
NEW CURBS SHALL BE THYCURB  
MODEL TC-3 INSUL.

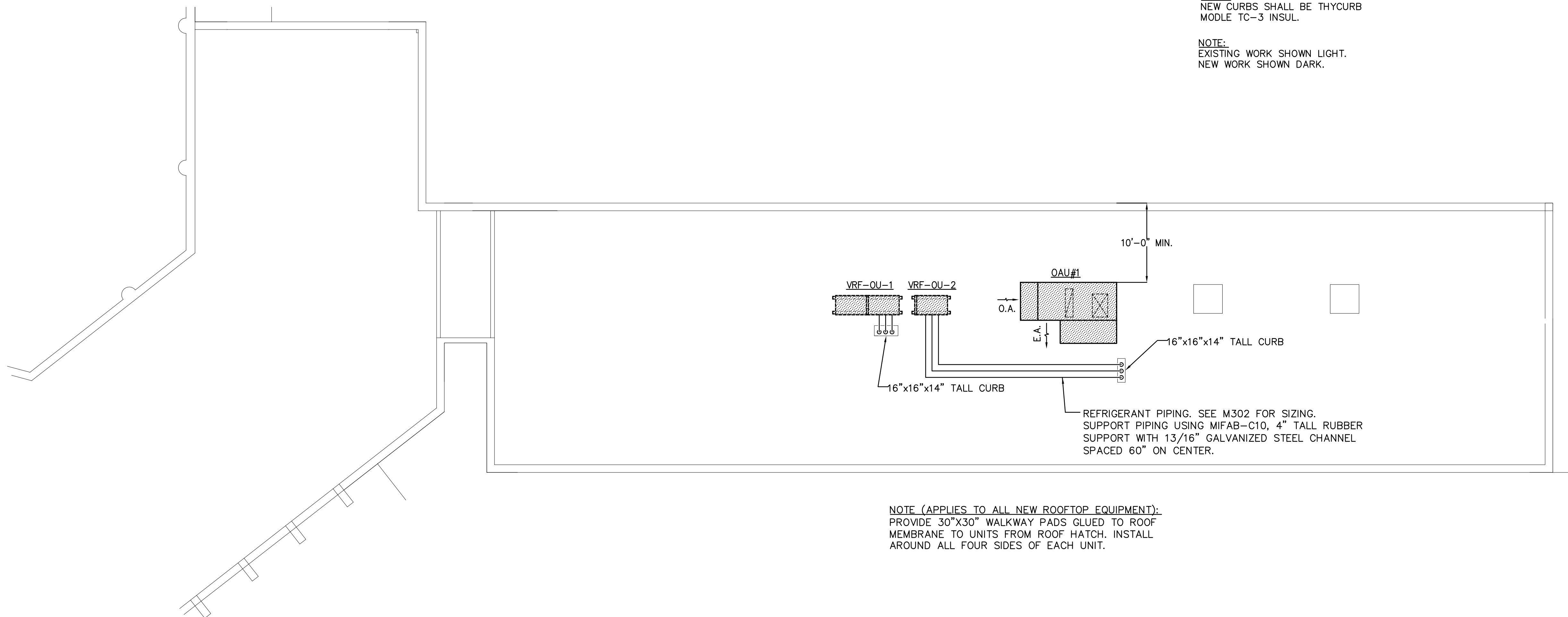
**NOTE:**  
EXISTING WORK SHOWN LIGHT.  
NEW WORK SHOWN DARK.



**SECTION A**  
SCALE: 1/8" = 1'-0"

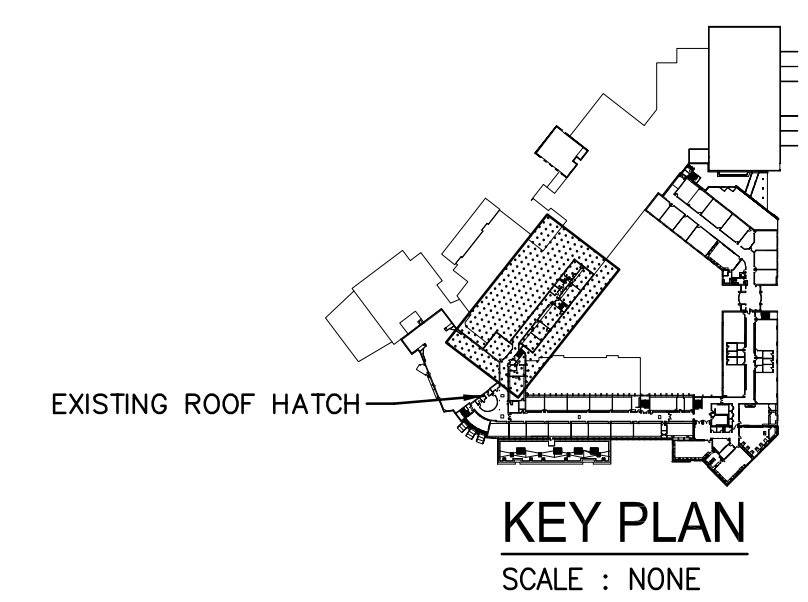


**EXTERIOR DUCT WALL PENETRATION DETAIL**  
N.T.S.



**ROOF PLAN - HVAC - NEW WORK**  
SCALE : 1/8" = 1'-0"

**NOTE (APPLIES TO ALL NEW ROOFTOP EQUIPMENT):**  
PROVIDE 30"x30" WALKWAY PADS GLUED TO ROOF MEMBRANE TO UNITS FROM ROOF HATCH. INSTALL AROUND ALL FOUR SIDES OF EACH UNIT.



**KEY PLAN**  
SCALE : NONE

