

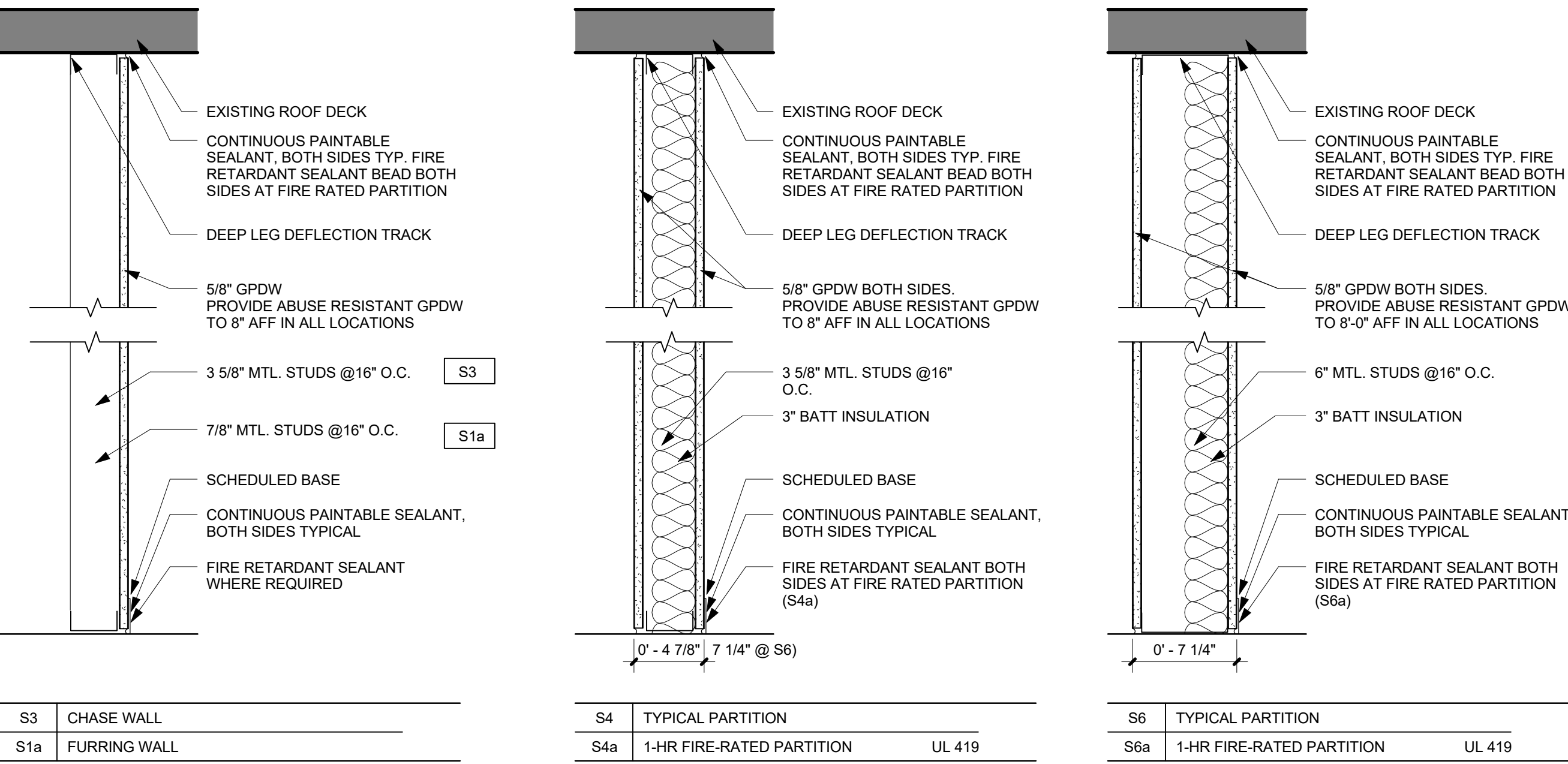
FINISH SCHEDULE

NUMBER	NAME	FLOOR	BASE	WALLS				CEILING	COMMENTS
				ALL	NORTH	SOUTH	EAST		
32	CLASSROOM	ETR	ETR	ETR				SACT	
34	CLASSROOM	ETR	ETR	ETR				SACT	
39	CLASSROOM	ETR	ETR	ETR				SACT	
40	CLASSROOM	ETR	ETR	ETR				SACT	
41	CLASSROOM	ETR	ETR	ETR				SACT	
42	OFFICE	ETR	ETR	ETR				SACT	
100	CORRIDOR	ETR	ETR	ETR				SACT	
153	EXISTING CAD LAB	ETR	ETR	ETR				ETR	
157	RELOCATED CAD COMPUTER LAB	ETR	ETR	PTD GPDW				ETR	
200	TEAM ROOM 1	QZT	RB	PTD GPDW				SACT, PTD GPDW	
201	TEAM ROOM BREAK OUT	QZT	RB	PTD GPDW				SACT, PTD GPDW	
202	TEAM ROOM 2	QZT	RB	PTD GPDW				SACT, PTD GPDW	
203	CORRIDOR	ETR/VCT	PTD CWT, RB		PTD GPDW, PTD CWT	PTD GPDW/PTD CWT	PTD GPDW	PTD GPDW	
209	CLASSROOM	ETR	ETR	ETR				SACT	PAINT ALL WOOD SURROUNDS AT CHALK AND TACK BOARDS
213	CLASSROOM	ETR	ETR	PTD GPDW				SACT	
214	CLASSROOM	ETR	ETR	ETR				SACT	
214a	CLOSET	ETR	ETR	ETR				SACT	
214b	OFFICE	ETR	ETR	ETR				SACT	
215	CLASSROOM	ETR	ETR	ETR				SACT	
A	STAIR	ETR	ETR	PTD GPDW				SACT	
B	STAIR	ETR	ETR	ETR				SACT	

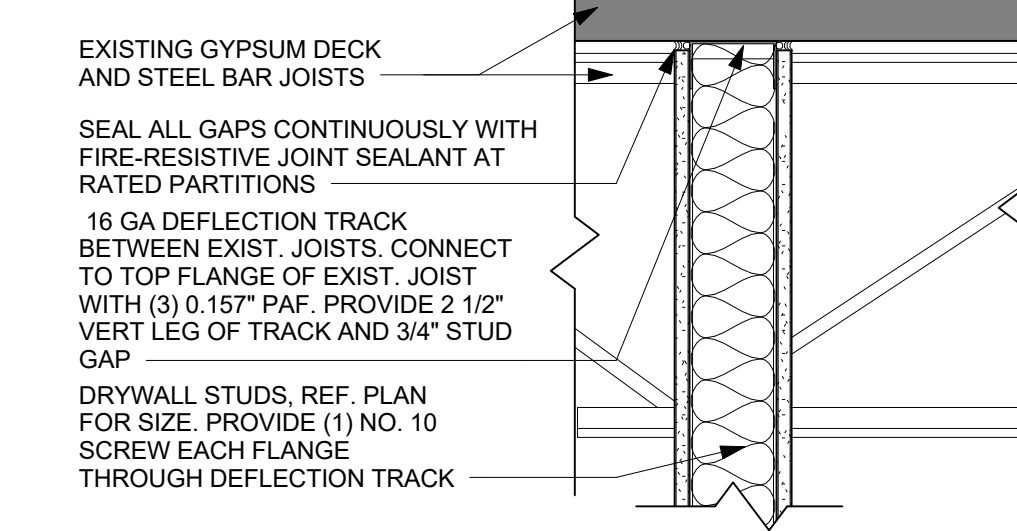
- Grand total: 21
FINISH SCHEDULE NOTES:
1. REF. FINISH PLANS FOR PATTERNING.
2. REF. FINISH PLANS FOR MORE SPECIFIC FINISH INFORMATION.

INTERIOR WALL PARTITIONS

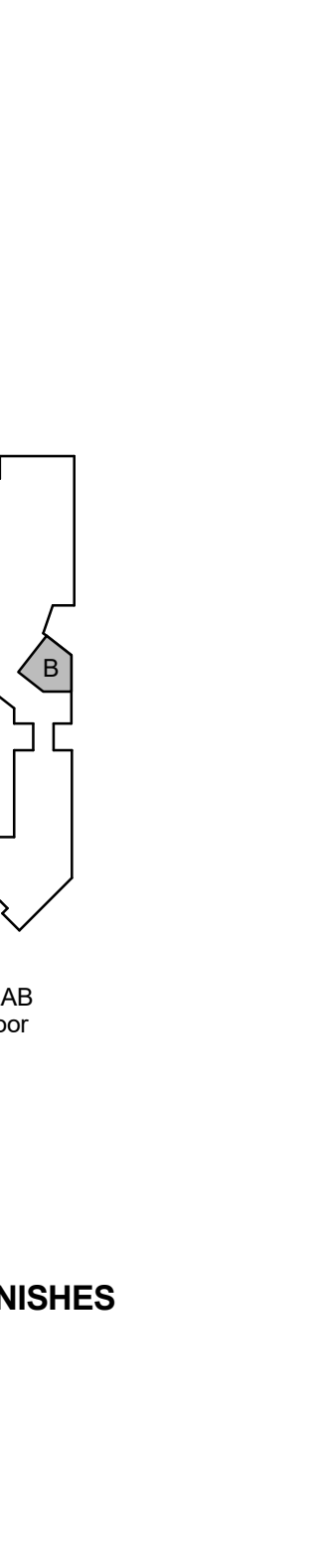
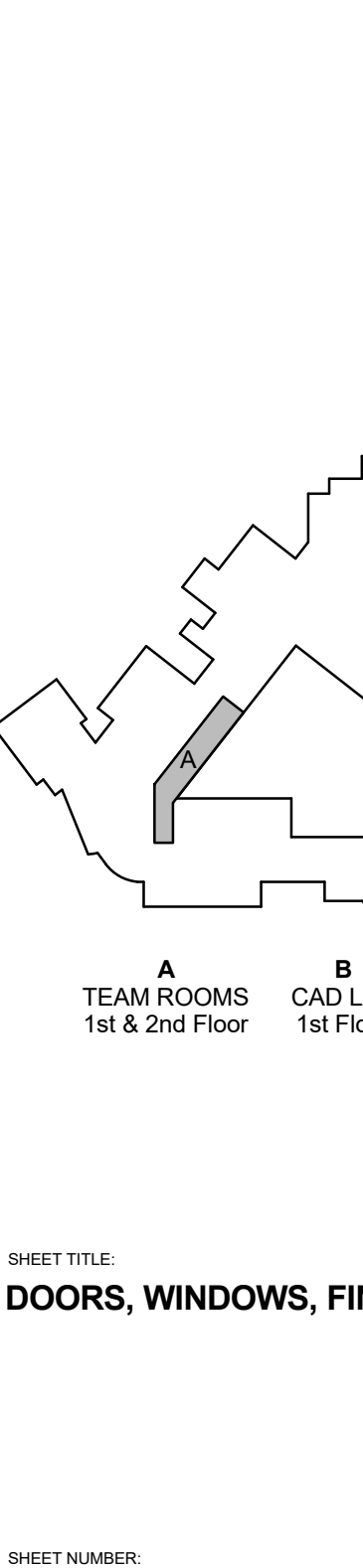
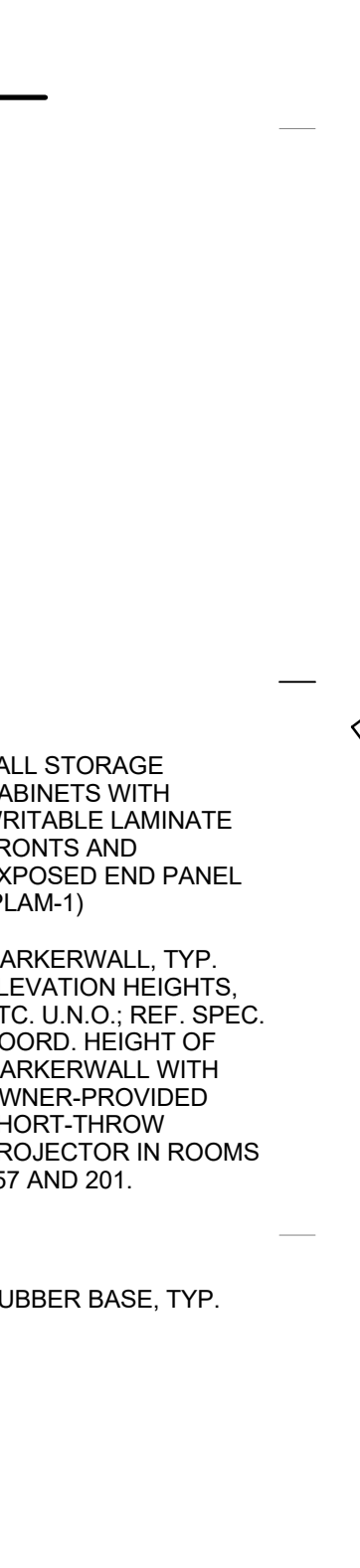
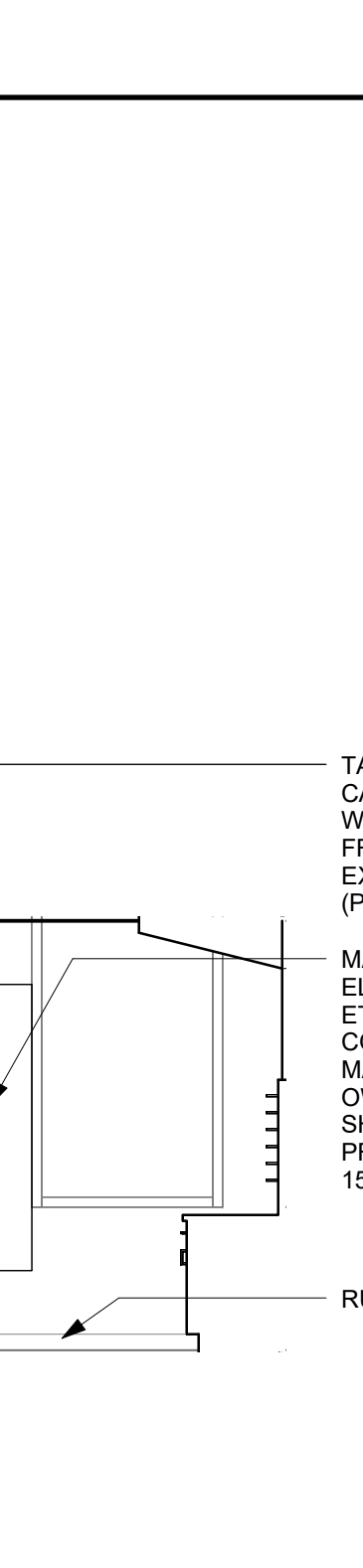
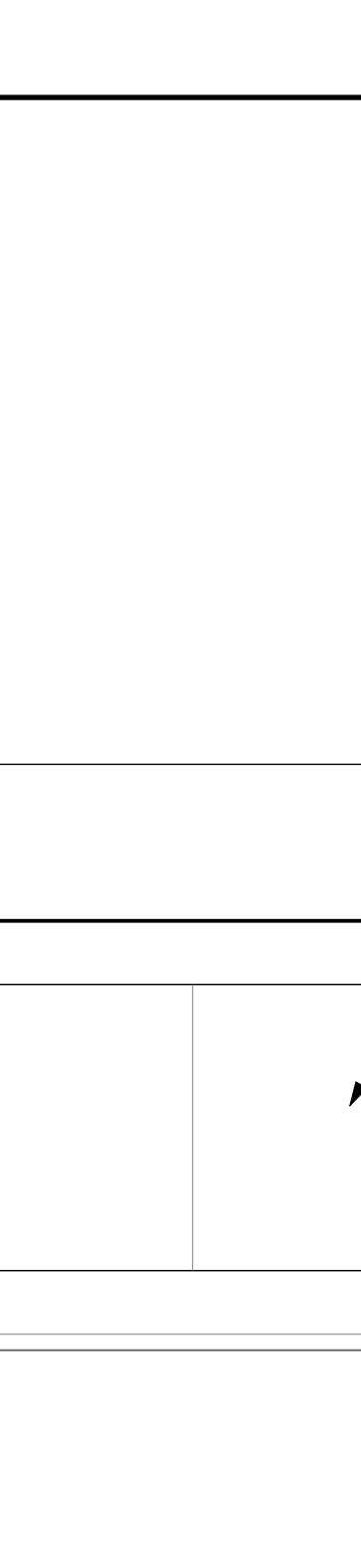
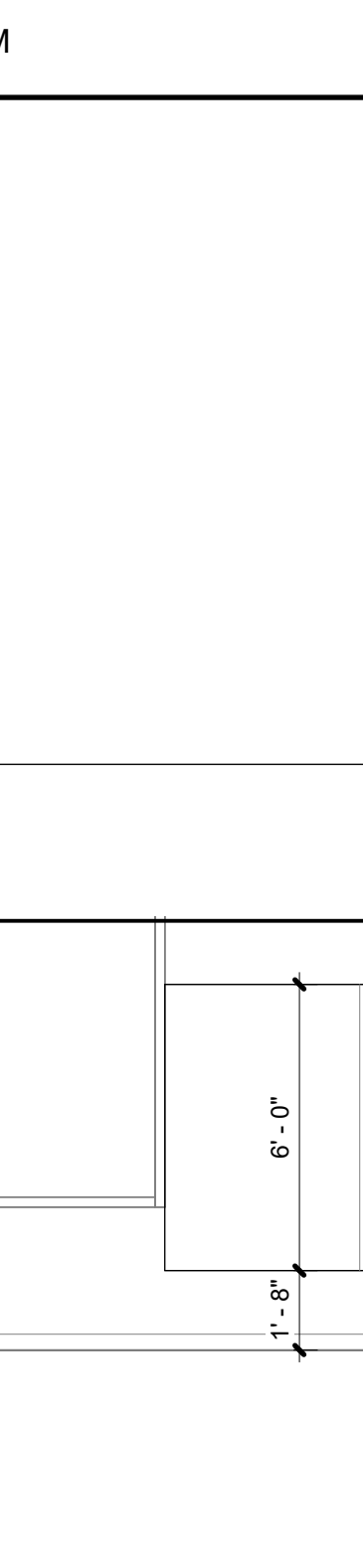
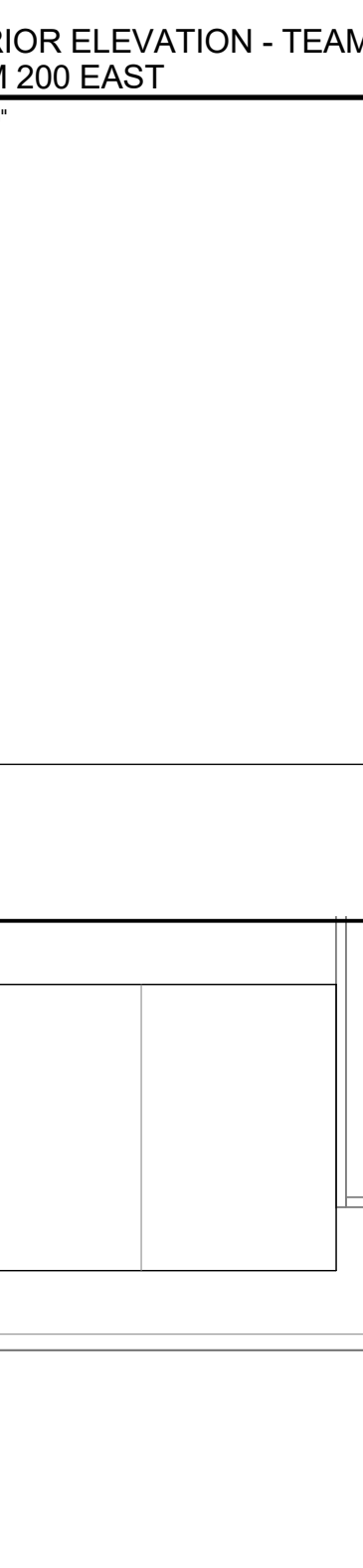
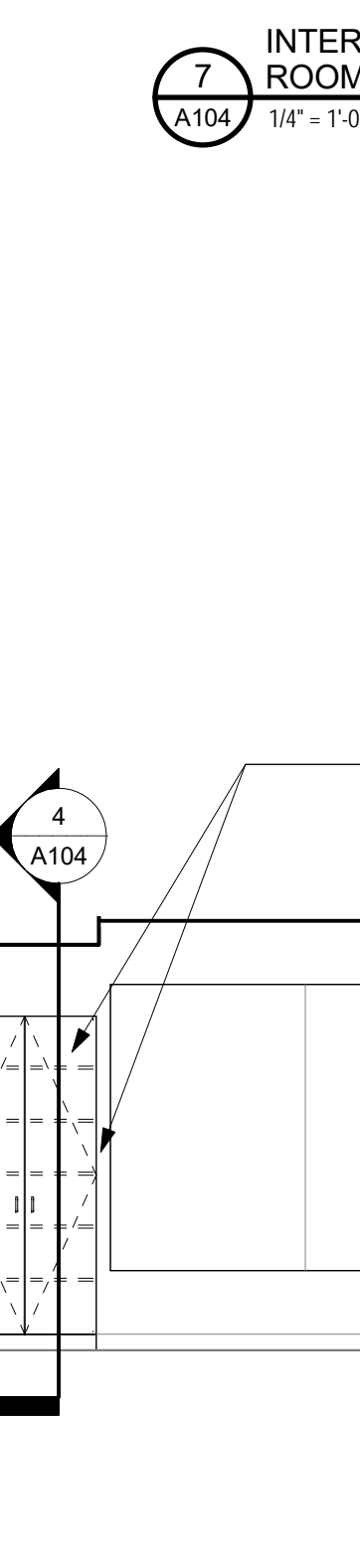
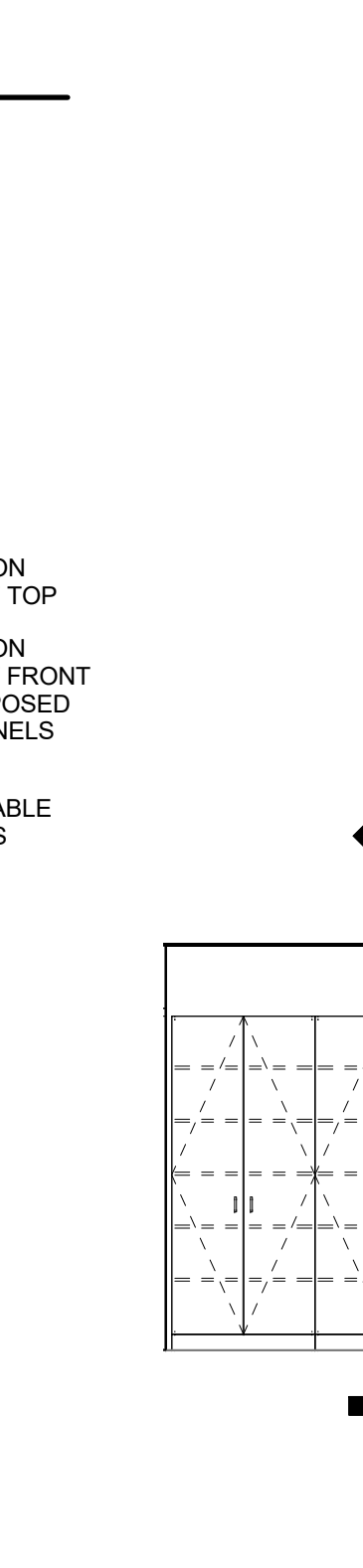
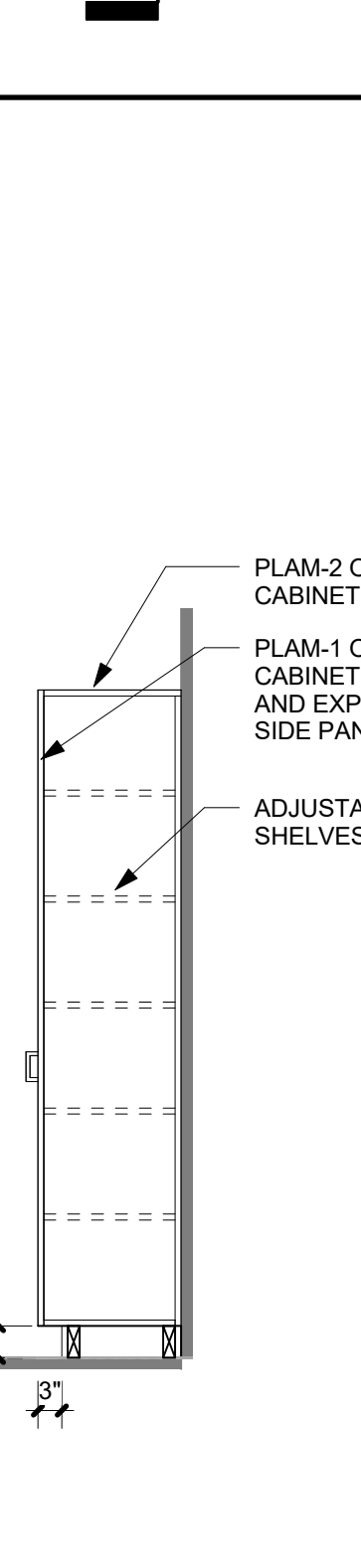
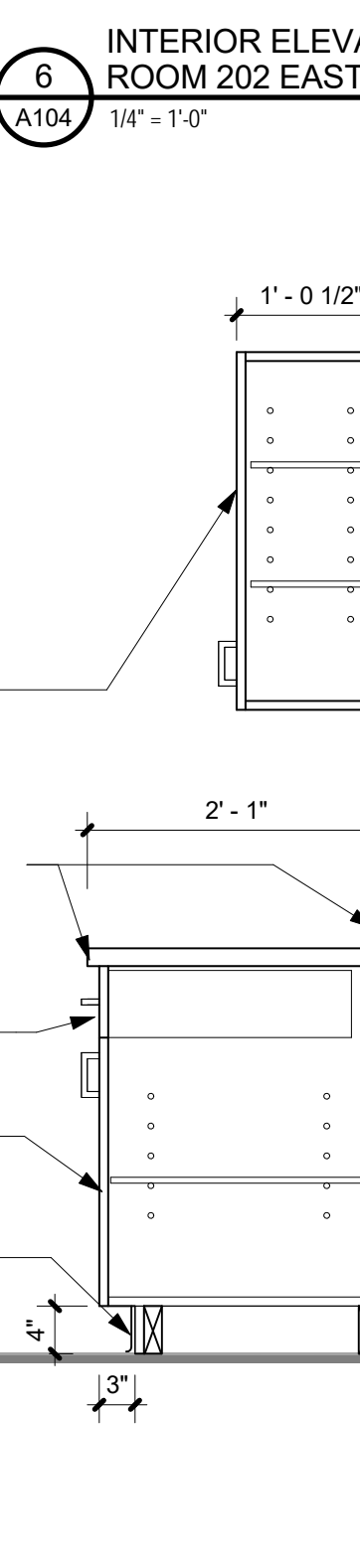
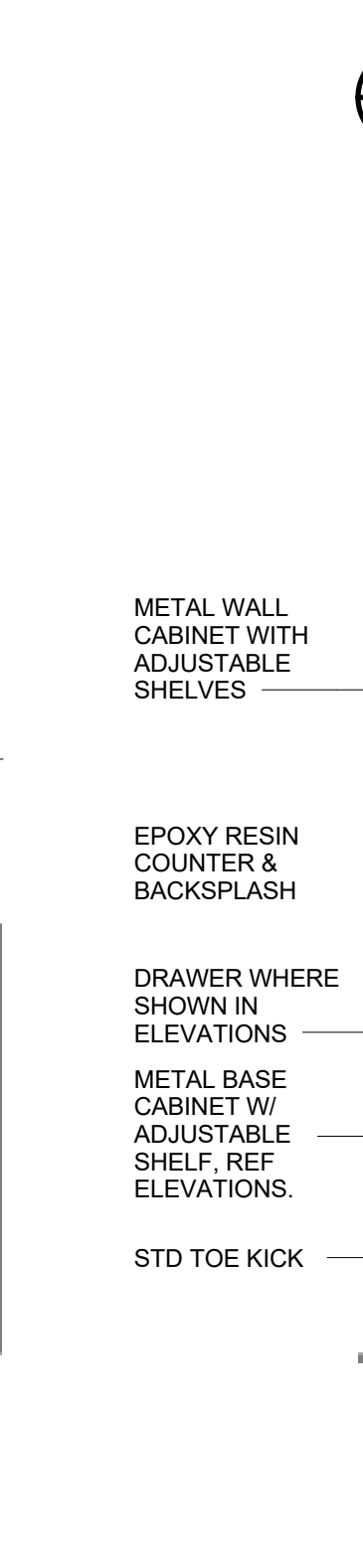
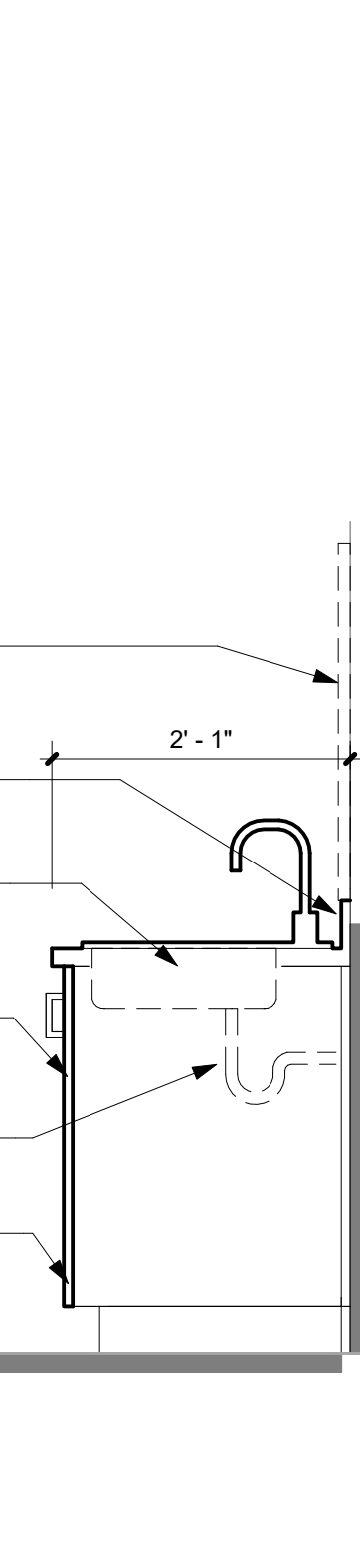
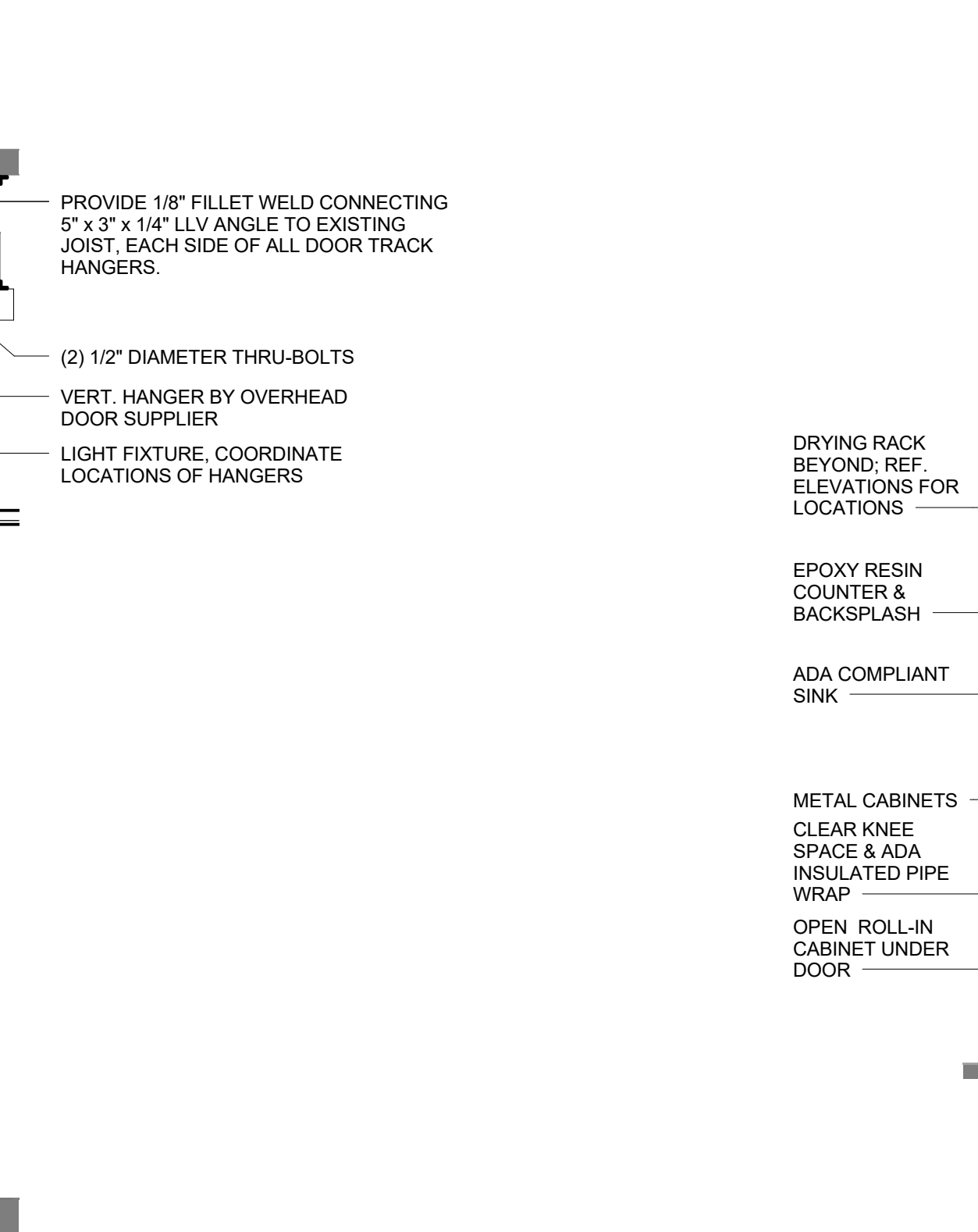
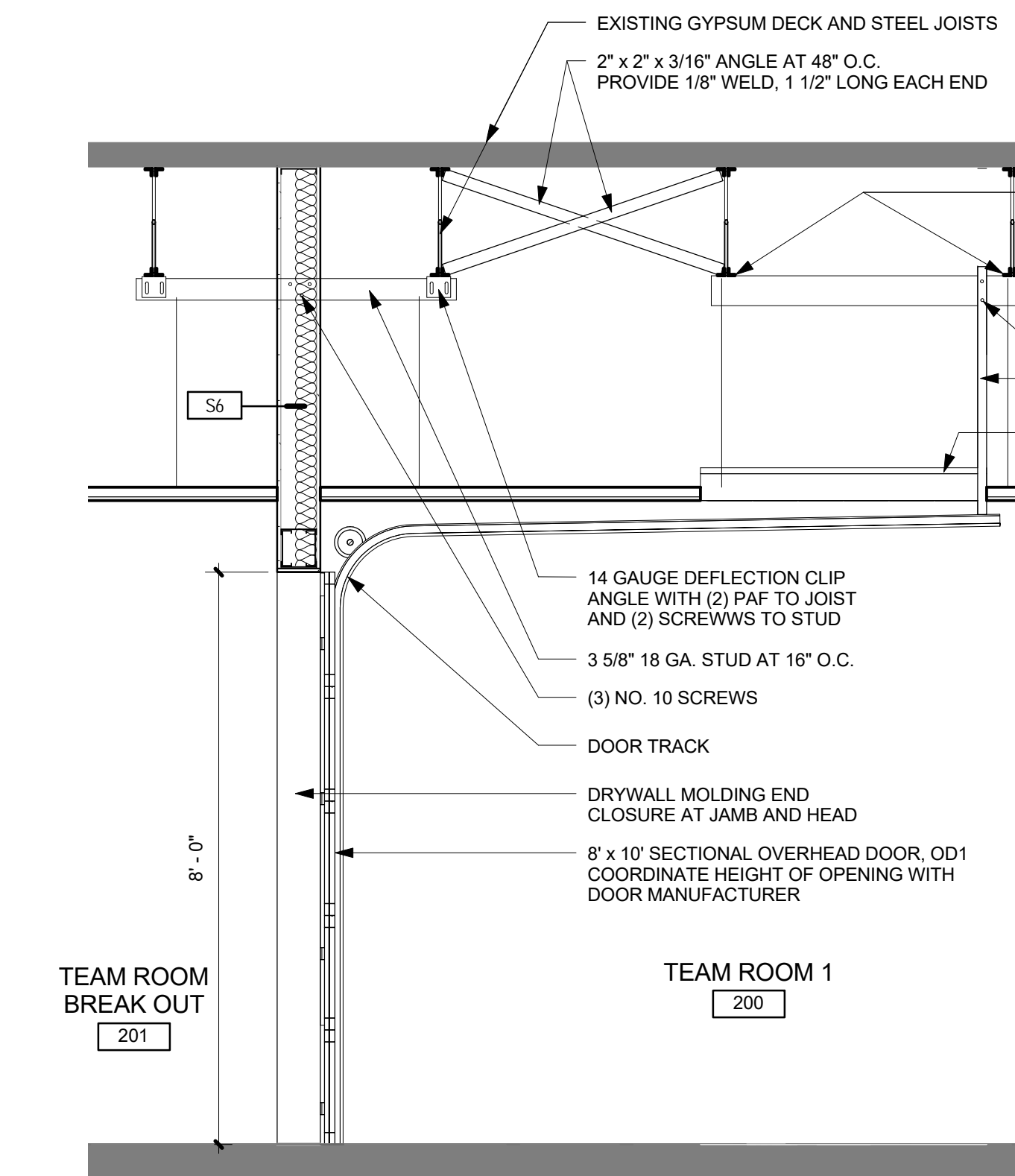
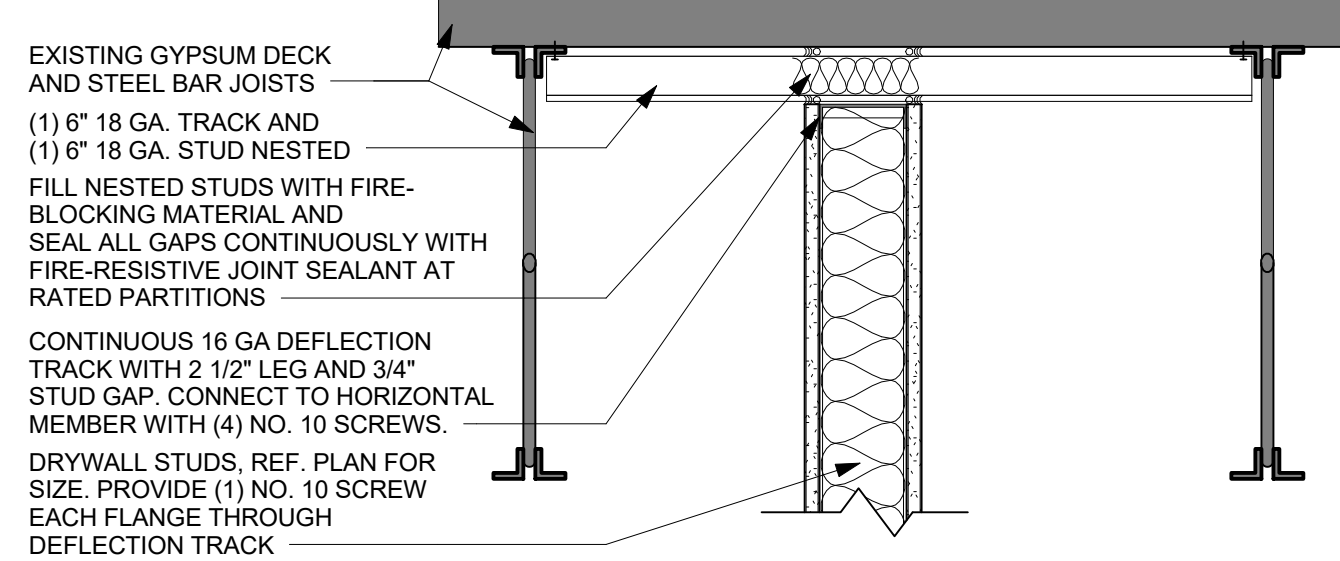
1. TYPICAL PARTITION IS TYPE S4, UNLESS NOTED OTHERWISE.
2. PROVIDE ABUSE RESISTANT GPDW TO 8'-0" ABOVE FINISH FLOOR IN ALL LOCATIONS.
3. UNLESS OTHERWISE NOTED ALL INTERIOR PARTITIONS SHALL EXTEND TO FLOOR / ROOF DECK ABOVE.
4. PROVIDE DEFLECTION TRACKS OR CLIPS FOR ALL PARTITIONS ABUTTING STRUCTURE AND DECK ABOVE.



TOP OF WALL DETAIL PERPENDICULAR TO JOISTS



TOP OF WALL DETAIL PARALLEL TO JOISTS



1 OVERHEAD DOOR SECTION 1/2" x 1'-0"

2 SECTION - TYPICAL ADA SINK CABINET 3/8" x 1'-0"

3 SECTION - TYPICAL BASE CABINET 3/8" x 1'-0"

4 SECTION - TALL STORAGE CABINET 1/2" x 1'-0"

5 INTERIOR ELEVATION - TEAM ROOM 200 NORTH 1/4" x 1'-0"

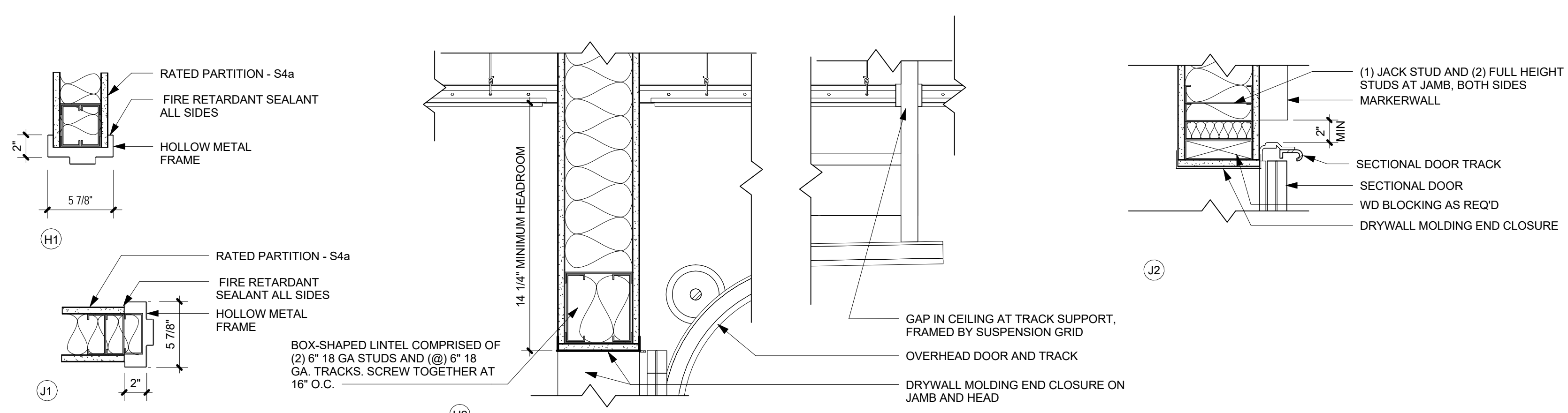
6 INTERIOR ELEVATION - TEAM ROOM 202 EAST 1/4" x 1'-0"

7 INTERIOR ELEVATION - TEAM ROOM 200 EAST 1/4" x 1'-0"

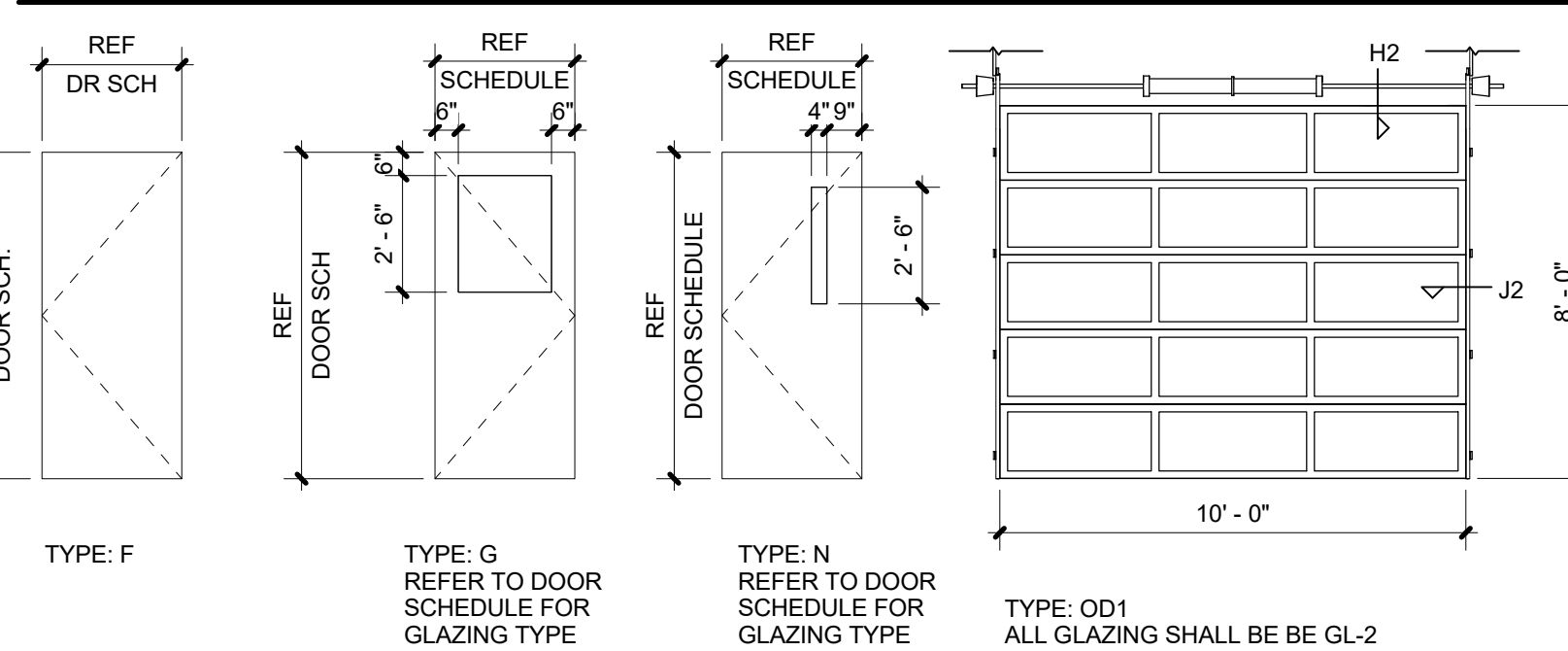
DOOR SCHEDULE

Level	MARK	DOOR				FRAME				OTHER				REMARKS	
		WIDTH	HEIGHT	TYPE	MATL	GLASS	TYPE	MATL	HEAD	JAMB	GLASS	LABEL	HDW		UC
Level 2	200	3'-0"	7'-0"	G	WD	GL-1	HM2	HM	HI	JL	-	20 MIN	1	-	-
Level 2	201	3'-0"	7'-0"	G	WD	GL-1	HM1	HM	HI	JL	GL-1	20 MIN	1	-	-
Level 2	202a	2'-8"	7'-0"	G	WD	GL-1	EX	-	-	-	-	20 MIN	1	-	-
Level 2	202b	2'-8"	7'-0"	G	WD	GL-1	EX	-	-	-	-	20 MIN	1	-	-
Level 2	203a	2'-8"	7'-0"	N	WD	GL-1	EX	-	-	-	-	60 MIN	2	-	-
Level 2	203b	2'-8"	7'-0"	N	WD	GL-1	EX	-	-	-	-	60 MIN	2	-	-
Level 2	203c	2'-8"	7'-0"	N	WD	GL-1	EX	-	-	-	-	60 MIN	2	-	-
Level 2	209	2'-8"	7'-0"	G	WD	GL-1	EX	-	-	-	-	20 MIN	1	-	-
Level 2	214	2'-8"	7'-0"	G	WD	GL-1	EX	-	-	-	-	20 MIN	1	-	-
Level 2	215	2'-8"	7'-0"	G	WD	GL-1	EX	-	-	-	-	20 MIN	1	-	-

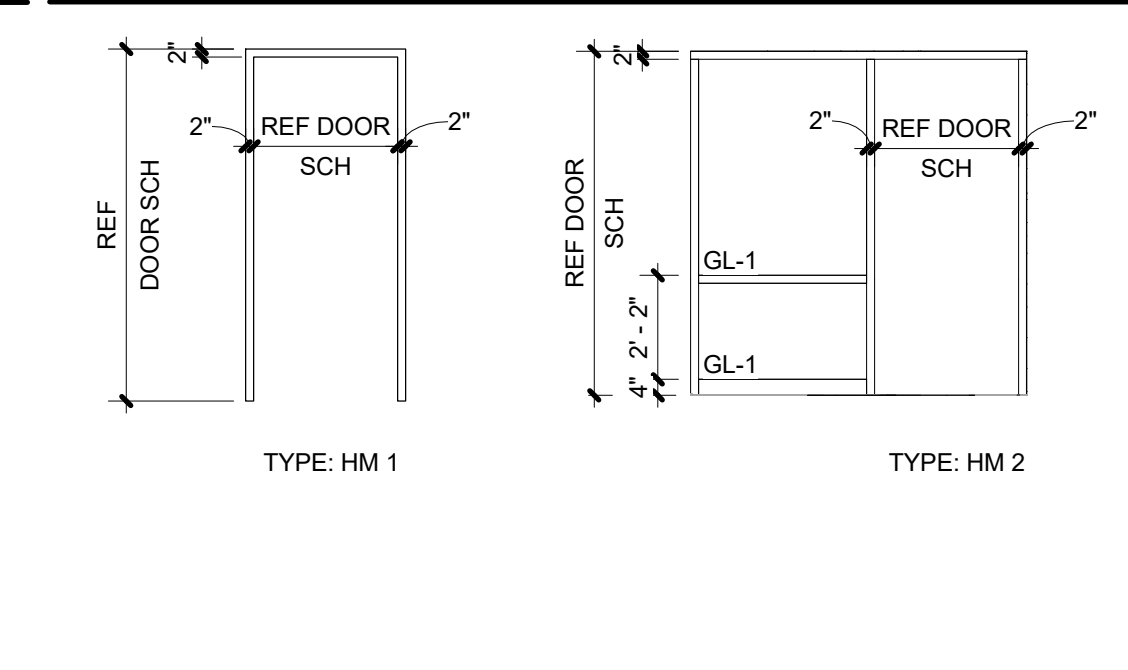
HOLLOW METAL DETAILS



DOOR TYPES



FRAME TYPES



DOOR AND FRAME NOTES

1. ALL EXISTING FRAMES WHERE DOOR LEAF IS REPLACED SHALL RECEIVE NEW PAINT.
2. VERIFY SIZE OF ALL DOOR FRAMES AND LEAFS IN FIELD PRIOR TO FABRICATION.
3. MODIFY HARDWARE PREPS IN EXISTING FRAMES AS REQUIRED TO RECEIVE NEW HARDWARE.

GLAZING SCHEDULE

- GENERAL NOTE:
1. REFER TO SPECIFICATION SECTION 08 8000 FOR GLAZING PRODUCTS

MARK	DESCRIPTION
GL-1	1/4" FIRE-RATED GLASS
GL-2	1/4" TEMPERED SAFETY GLASS
GL-3	1" INSULATED LOW-E COATED GLASS UNIT



1840 West Broad Street
Suite 400
Richmond, Virginia 23220
www.bcwh.com
804.788.4774 phone
804.788.0986 fax

AHS MODERNIZATION/ HVAC UPGRADE

ALBEMARLE COUNTY PUBLIC SCHOOLS

2775 HYDRAULIC ROAD
CHARLOTTESVILLE, VA
22901

Material included herein is covered by copyright. Use of this work in whole or in part is forbidden without the expressed written consent of BCWH, Inc.

PROJECT NUMBER:
2016.40

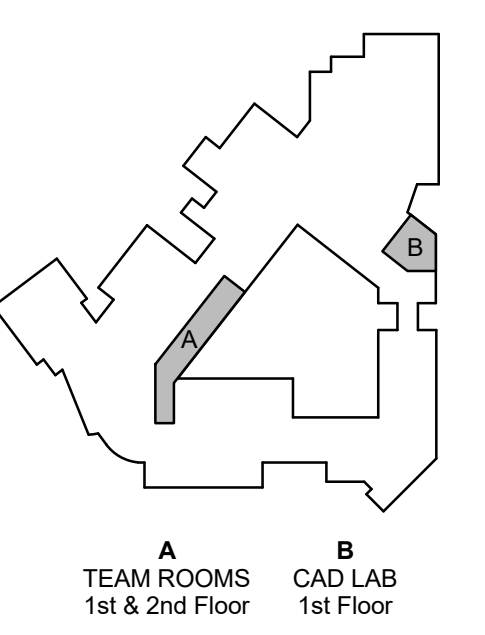
PROJECT MANAGER:
KS

DRAWN BY:
KS, ER, ZC

ISSUE DATE:
3/24/2017

BID DOCUMENTS

REVISIONS:



SHEET TITLE:
DOORS, WINDOWS, FINISHES

SHEET NUMBER:

A104