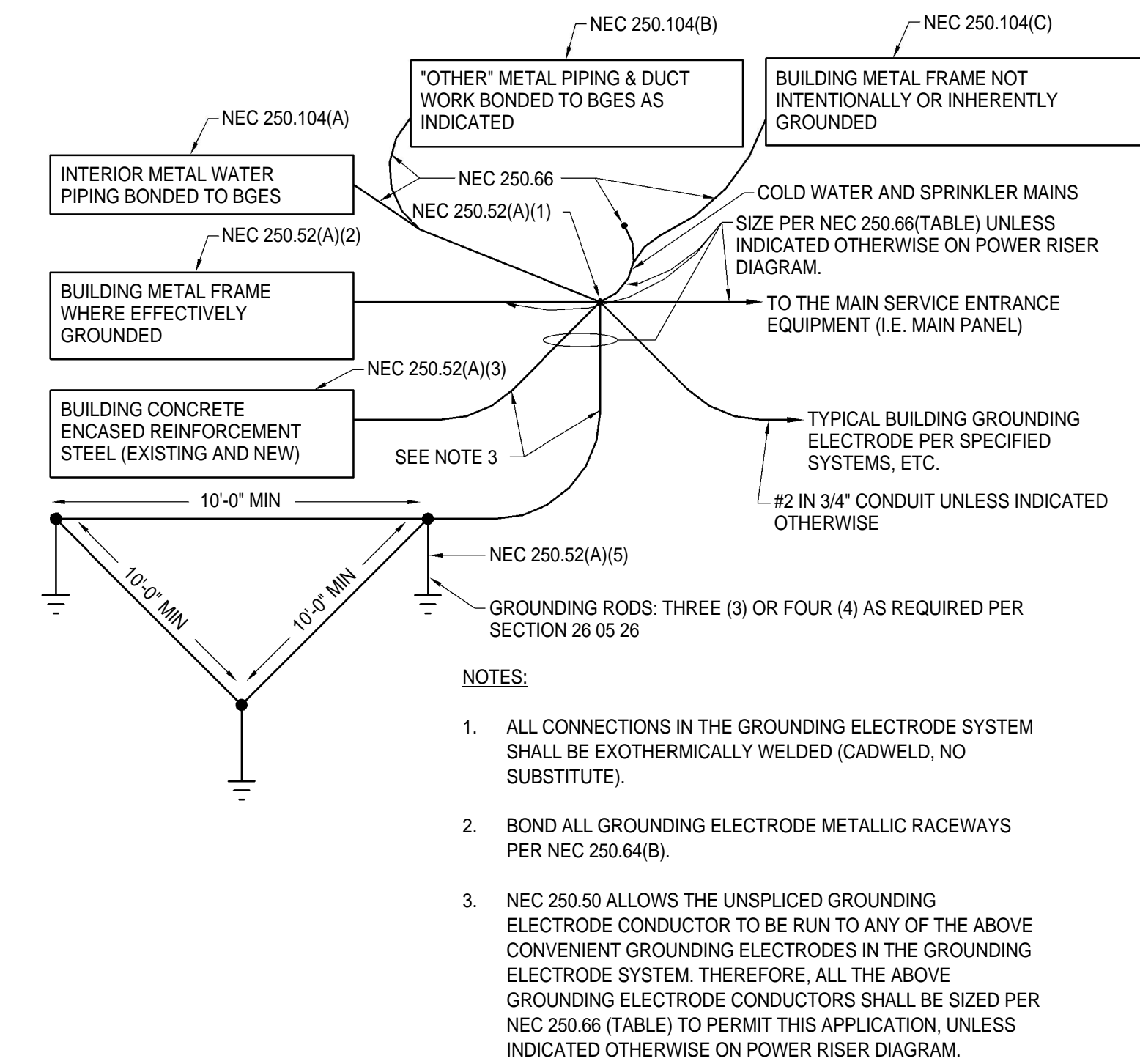
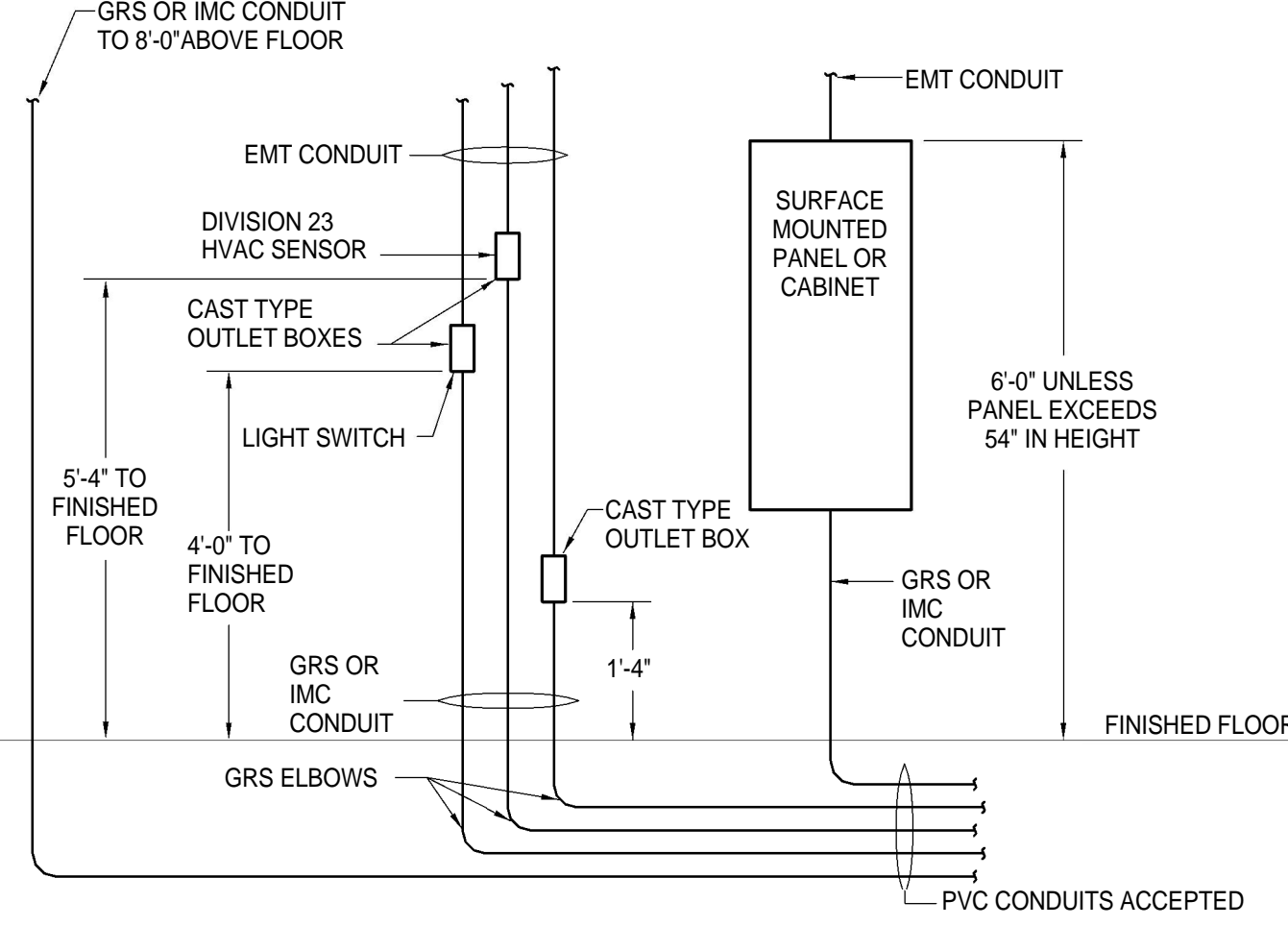


LIGHTING FIXTURE SCHEDULE					
TYPE	VOLTAGE	MANUFACTURER	MODEL	DESCRIPTION	
1	277 V	LITHONIA	2RTL4 72L E21 LP840 N80	RECESS MOUNTED 2'x4' LED VOLUMETRIC LIGHT FIXTURE, ONE-PIECE, COLD-ROLLED STEEL REFLECTOR WITH EMBOSSED FACETS, POLYESTER POWDER PAINT AFTER FABRICATION, IMPACT MODIFIED ACRYLIC PRISMATIC REFRACTORS WITH POLYMER LIGHT-DIFFUSING FILM, 7200 LUMEN LED PACKAGE WITH ELDOLDED 1% DIMMING DRIVER, 4000K COLOR TEMPERATURE, LIGHT CONTROL SYSTEM, INCLUDING LOW-VOLTAGE CONTROLLERS, WITH 80% LUMEN MANAGEMENT.	
1A	277 V	LITHONIA	2RTL4 60L E21 LP840 N80	RECESS MOUNTED 2'x4' LED VOLUMETRIC LIGHT FIXTURE, ONE-PIECE, COLD-ROLLED STEEL REFLECTOR WITH EMBOSSED FACETS, POLYESTER POWDER PAINT AFTER FABRICATION, IMPACT MODIFIED ACRYLIC PRISMATIC REFRACTORS WITH POLYMER LIGHT-DIFFUSING FILM, 6000 LUMEN LED PACKAGE WITH ELDOLDED 1% DIMMING DRIVER, 4000K COLOR TEMPERATURE, LIGHT CONTROL SYSTEM, INCLUDING LOW-VOLTAGE CONTROLLERS, WITH 80% LUMEN MANAGEMENT.	
1B	277 V	LITHONIA	2RTL4 48L E21 LP840 N80	RECESS MOUNTED 2'x4' LED VOLUMETRIC LIGHT FIXTURE, ONE-PIECE, COLD-ROLLED STEEL REFLECTOR WITH EMBOSSED FACETS, POLYESTER POWDER PAINT AFTER FABRICATION, IMPACT MODIFIED ACRYLIC PRISMATIC REFRACTORS WITH POLYMER LIGHT-DIFFUSING FILM, 4800 LUMEN LED PACKAGE WITH ELDOLDED 1% DIMMING DRIVER, 4000K COLOR TEMPERATURE, LIGHT CONTROL SYSTEM, INCLUDING LOW-VOLTAGE CONTROLLERS, WITH 80% LUMEN MANAGEMENT.	
2	277 V	LITHONIA	2TL4 48L FW A19 E21 LP840 N80	RECESS MOUNTED 2'x4' LED LENSED TROFFER LIGHT FIXTURE WITH HOUSING FORMED FROM COLD-ROLLED STEEL, PAINTED AFTER FABRICATION, EXTRUDED ALUMINUM DOOR FRAME WITH MITERED CORNERS, #19 PATTERN ACRYLIC LENS 0.156" THICK, 4800 LUMEN LED PACKAGE WITH ELDOLDED 1% DIMMING DRIVER, 4000K COLOR TEMPERATURE, LIGHT CONTROLS WITH 80% LUMEN MANAGEMENT.	
3	277 V	LITHONIA	IBH 24000LM SD080 MD MVOLT G210 40K 80 CRI WH NPP16D	PENDANT MOUNTED LED HIGH-BAY FIXTURE COMPLETE WITH STEEL CHANNEL, LIGHTWEIGHT ALUMINUM HEAT SINK, SEMI-DIFFUSE ACRYLIC LENS, LEADS RATED FOR 97,000 HOURS MINIMUM, 24000 LUMEN OUTPUT, 4000K COLOR TEMPERATURE, MINIMUM CRI OF 80, AND SPECIFIED LED DIMMING DRIVER.	
4	277 V	LITHONIA	2RTL2 40L E21 LP840 N80	RECESS MOUNTED VOLUMETRIC 2'x2' LED FIXTURE COMPLETE WITH MATTE WHITE POLYESTER POWDER COAT FINISH, ONE-PIECE COLD ROLLED STEEL REFLECTOR WITH EMBOSSED FACETS, INTEGRAL T-BAR CLAMPS, LEADS RATED FOR 60,000 HOURS MINIMUM, 4000 LUMEN OUTPUT, 4000K COLOR TEMPERATURE, MINIMUM CRI OF 82, AND SPECIFIED LED DIMMING DRIVER.	
5	277 V	LITHONIA	2TL2 40L FW A19 E21 LP840 N80	RECESS MOUNTED 2'x2' LED STATIC TROFFER COMPLETE WITH POLYESTER POWDER COAT FINISH, ONE-PIECE COLD ROLLED STEEL HOUSING, FLUSH WHITE POLYESTER POWDER COAT FINISH, ONE-PIECE COLD ROLLED STEEL HOUSING, FLUSH WHITE ALUMINUM DOOR FRAME, PATTERN 19 ACRYLIC SHIELDING WITH 0.156" THICK LENS, LEADS RATED FOR 50,000 HOURS MINIMUM, 3300 LUMEN OUTPUT, 4000K COLOR TEMPERATURE, MINIMUM CRI OF 82, AND SPECIFIED LED DRIVER.	
6	277 V	LITHONIA	STL4 48L E21 LP840 N100	SUSPENDED MOUNTED 4' INDUSTRIAL LED FIXTURE COMPLETE WITH WHITE POLYESTER POWDER COAT FINISH, ROLL FORMED CODE-GAUGE STEEL HOUSING, LEADS RATED FOR 60,000 DRIVERS RATED AT L90 PERFORMANCE FOR 60,000 HOURS AND LONG LIFE LEADS WITH 4,000 LUMEN OUTPUT, AND 4000K COLOR TEMPERATURE.	
7	277 V	LITHONIA	WL4 40L E21 LP840 N80 NESPD7	CEILING OR WALL MOUNTED 4' LED HOUSING FORMED FROM CODE-GAUGE STEEL WITH SMOOTH FINISHED EDGES IN WHITE POLYESTER POWDER COAT. FIXTURE SHALL INCLUDE HIGH-EFFICIENCY DRIVERS RATED AT L90 PERFORMANCE FOR 60,000 HOURS AND LONG LIFE LEADS WITH 4,000 LUMEN OUTPUT, AND 4000K COLOR TEMPERATURE.	
8	277 V	SPECTRUM	SR12SQLEODA 33L 40K E 277 FT 1212 MW WL	FLUSH CEILING MOUNTED 12" SQUARE, 5.1" DEEP LED DOWNLIGHT CONSTRUCTED OF ALUMINUM WITH MULTI-BAR MOUNTING BRACKETS, LEADS RATED FOR 50,000 HOURS MINIMUM, 3300 LUMEN OUTPUT, 4000K COLOR TEMPERATURE, MINIMUM CRI OF 84.	
9	277 V	LITHONIA	2TL4 60L E21 LP840 N80	RECESS MOUNTED 2'x4' LED GASKETED LENSED TROFFER LIGHT FIXTURE WITH HOUSING FORMED FROM COLD-ROLLED STEEL, PAINTED AFTER FABRICATION, EXTRUDED ALUMINUM DOOR FRAME WITH MITERED CORNERS, #19 PATTERN ACRYLIC LENS 0.156" THICK, 6000 LED LUMEN PACKAGE WITH ELDOLDED 1% DIMMING DRIVER, 4000K COLOR TEMPERATURE, LIGHT CONTROLS WITH 80% LUMEN MANAGEMENT.	
10	277 V	LITHONIA	DSXW1 LED 20C 700 40K T3M	WALL MOUNTED LED LUMINAIRE FORMED FROM TWO PIECE DIE CAST ALUMINUM HOUSING, INTEGRAL HEAT SINK, WET LOCATION LISTED (IP66), THERMOSET POWDER COAT FINISH BLACK PAINT, PRECISION MOLDED ACRYLIC LENSES WITH 4000K COLOR LEADS, 20 LEADS RATED AT 100,000 HOURS, 5-YEAR WARRANTY, AND REQUIRED DRIVERS.	
LTA	120 V	JUNO	TRAC-MASTER	TWO (2) CIRCUIT LIGHT TRACK CONSTRUCTED OF EXTRUDED ALUMINUM, ONE-PIECE THERMOPLASTIC INSULATOR, 12-GAUGE SOLID COPPER WITH ALL LIVE-END CONNECTORS, END-TO-END CONNECTORS, AND OTHER HARDWARE AS REQUIRED. TRACK SHALL BE PROVIDED IN LENGTHS AS SHOWN ON THE DRAWINGS. EACH SECTION OF 'LTA' SHOWN SHALL BE COMPLETE WITH FIFTEEN (15) #25 LED LAMP FIXTURES, WITH FIVE (5) SPOT TYPE, FIVE (5) NARROW FLOOD TYPE, AND FIVE (5) FLOOD TYPE DISTRIBUTION TYPES PER SECTION. TRACK FIXTURES SHALL BE DIMMABLE AND SHALL BE FULLY COMPATIBLE WITH SPECIFIED 120V LOW-VOLTAGE DIMMERS. PROVIDE AN 11-GAUGE WIRE GUARD TO PROTECT THE TRACK AND ASSOCIATED TRACK HEADS IN THE GYM AREA. SECTIONS OF WIRE GUARD SHALL BE REMOVED AS NECESSARY TO PREVENT SHADOWING WHERE THE GUARD IS DIRECTLY IN FRONT OF A FIXTURE HEAD.	

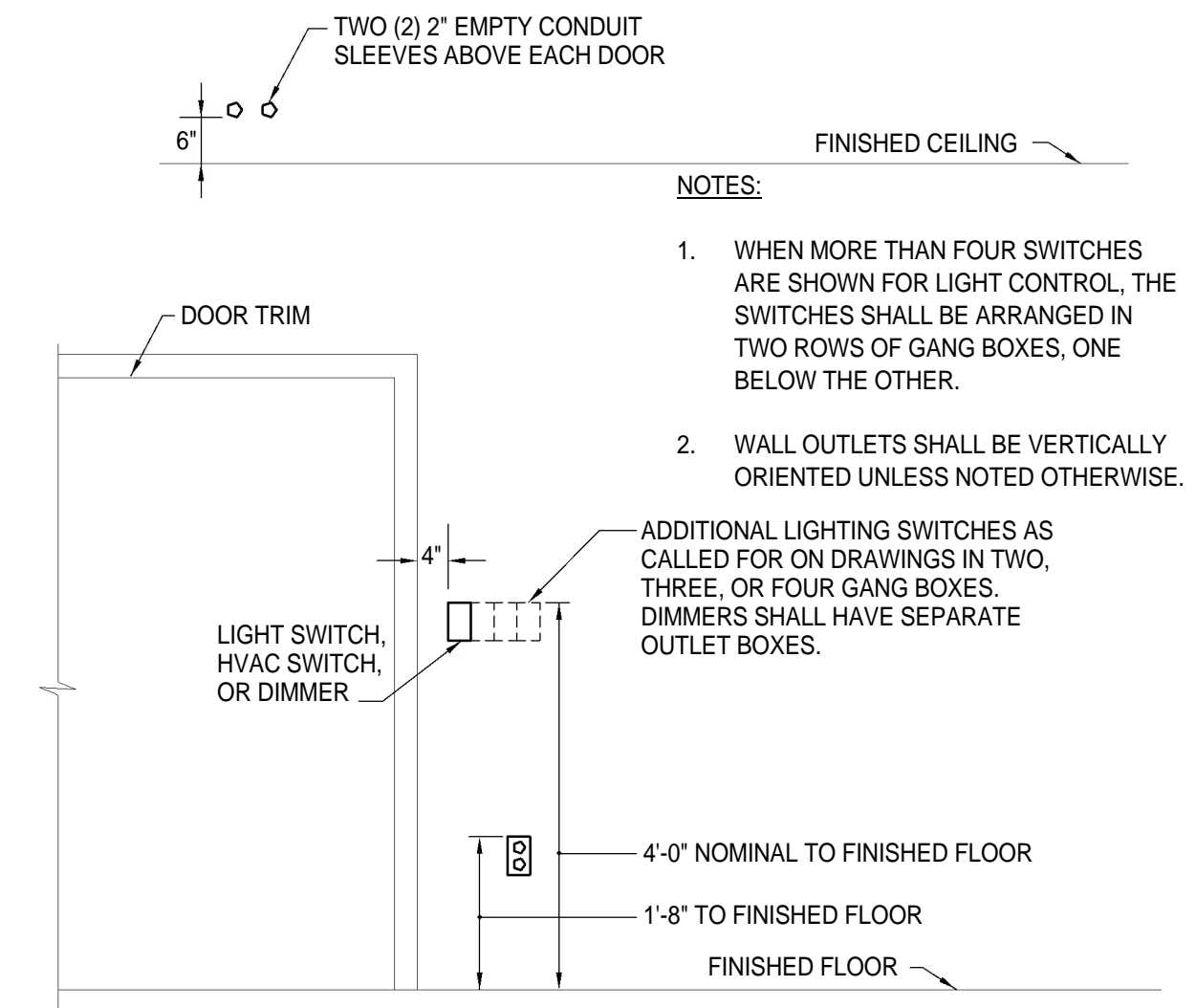
EXIT LIGHT FIXTURE SCHEDULE					
TYPE	VOLTAGE	MANUFACTURER	MODEL	DESCRIPTION	
CEILING	277 V	LITHONIA	LES ELN R	CEILING MOUNTED EXIT SIGN WITH DIE CAST ALUMINUM HOUSING AND CONSTRUCTION, INCLUDING SIDES, BACK, AND CANOPY, COMPLETE WITH LEADS, NICKEL CADMIUM 90 MINUTE BATTERY, AND FACING WITH ARROWS AS REQUIRED.	
WALL	277 V	LITHONIA	LES ELN R	WALL MOUNTED EXIT SIGN WITH DIE CAST ALUMINUM HOUSING AND CONSTRUCTION, INCLUDING SIDES, COMPLETE WITH LEADS, NICKEL CADMIUM 90 MINUTE BATTERY, AND WITH ARROWS AS REQUIRED.	



**BUILDING GROUNDING ELECTRODE SYSTEM (BGES) SCHEMATIC**



**TYPICAL ELEVATION FOR SURFACE MOUNTED OUTLET BOXES, PANELS AND CABINETS IN MECHANICAL ROOMS**

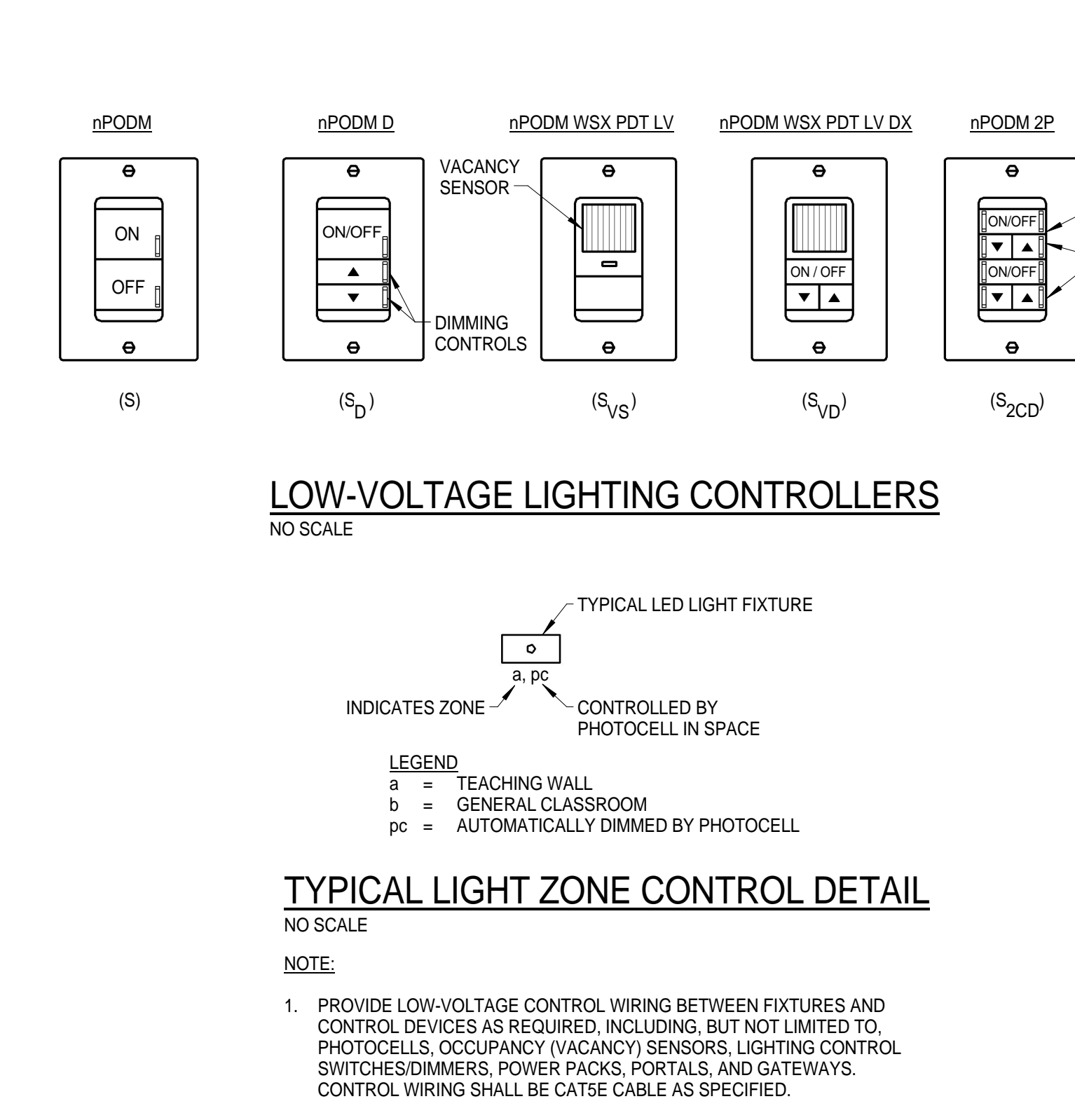


**TYPICAL ELEVATION FOR MOUNTING OUTLET BOXES AT DOORS**



**TELECOMMUNICATIONS MAIN GROUNDING BUSBAR (TMGB)**

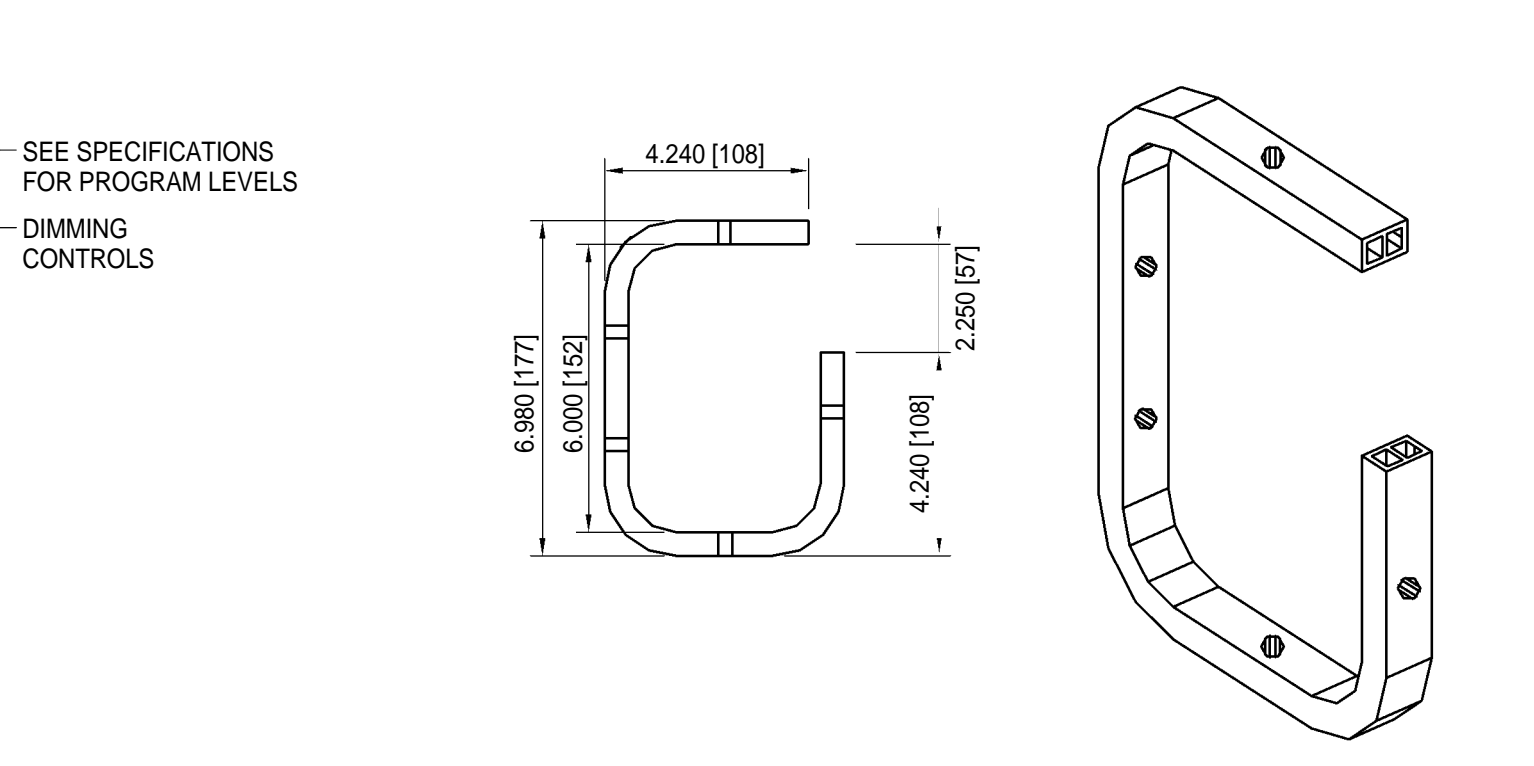
SYSTEM	AFF TOP OF OUTLET UNLESS NOTED	ELECTRICAL SYMBOLS	
		SYMBOL	DESCRIPTION
BOXES AND WIRING		○	CONDUIT ABOVE CEILING OF AREA WHERE SHOWN
		○	CONDUIT UNDER FLOOR OF AREA WHERE SHOWN
		— —	GROUNDING ELECTRODE CONDUCTOR (GEC) CONNECTED TO GROUND
	5'-0"	■	HEAVY-DUTY DISCONNECT SWITCH
	5'-0"	MS	MOTOR STARTER
	5'-0"	VFD	VARIABLE FREQUENCY DRIVE, BY DIVISION 23.
	5'-0"	MP	MOTOR PROTECTIVE SWITCH (W/PILOT AND HEATER(S))
		JB	JUNCTION BOX
	6'-0"	PNL	ELECTRICAL PANEL, FLUSH MOUNT
	6'-0"	PNL	ELECTRICAL PANEL, SURFACE MOUNT
		WH	WALL HEATER, FLUSH MOUNTED, BY DIVISION 23
		DDC	DIVISION 23 DIRECT DIGITAL CONTROL (DDC) PANELS, DIVISION 26 TO PROVIDE NEMA 5-20 RECEPTACLE AND INDICATED CIRCUIT
		OB	OUTLET BOX WITH LIQUID TIGHT FLEXIBLE METAL CONDUIT CONNECTION TO EQUIPMENT
		H-J	HALL MOUNTED JUNCTION BOX
	DATA/COMM		○
		CS	TWO (2)-TWO (2) INCH CONDUIT SLEEVES THRU WALL AND CAPPED UNLESS OTHERWISE INDICATED
CEILING		○	CEILING MOUNTED SPEAKER TO BE CONNECTED TO INTERCOM
		HZ	HALL MOUNTED SPEAKER
CEILING		HZS	SECTION 27 51 23 VOLUME CONTROL OUTLET WITH 1" CONDUIT EXTENDING TO NEAREST ACCESSIBLE CEILING VOID.
		HZS	SOUND SYSTEM SPEAKER OUTLET. SEE DIVISION 27 FOR SPEAKER TYPE AND INSTALLATION.
AS NOTED		HZWP	WALL MOUNTED SPEAKER WITH WEATHER PROOF COVER
		○	WALL MOUNTED CLOCK
		○	EMPTY RECESSED WALL MOUNTED BOX AND 1 1/4" CONDUIT FOR OWNER PROVIDED DATA OUTLET(S) EXTENDED TO ACCESSIBLE CEILING VOID.
		○	MICROPHONE OUTLET, XLR TYPE, WITH CABLE TO LOCAL SOUND SYSTEM. REFER TO SPECIFICATIONS FOR REQUIREMENTS AND WIRING.
		○	MONITOR OUTLET WITH ONE (1) NEMA NEUTRIK CONNECTOR AND SPEAKER CABLE EXTENDED TO SOUND SYSTEM AMPLIFIER
		○	BELL, REFER TO SHEET NOTES
7'-0"		HT	CATV OUTLET FOR TYPE 'F' CONNECTOR AND COAXIAL CABLE TO DISTRIBUTION SYSTEM. REFER TO SPECIFICATIONS FOR JACK, FACEPLATE, AND CABLE REQUIREMENTS.
1'-8"		HD	OUTLET, WALL, BOX FOR PROJECTOR HANDLS T-55017 WITH 2" CONDUIT
FIRE ALARM			○
		○	CEILING OR COVE OUTLET TO BE REMOVED
		○	CEILING OUTLET TO BE REMOVED
		○	WALL MOUNTED LIGHT FIXTURE TO BE REMOVED
		○	RECESS DOWN LIGHT TO BE REMOVED
		○	EXIT SIGN WALL TO BE REMOVED
		○	EXIT SIGN CEILING TO BE REMOVED
		○	SPEAKER TO BE REMOVED
		○	SWITCHES TO BE REMOVED
		○	SWITCH TO BE REMOVED
		○	RECEPTACLE TO BE REMOVED
		○	RECEPTACLE TO BE REMOVED
		○	DATA OUTLET TO BE REMOVED
		○	POWER DATA POLE TO BE REMOVED
	RECEPTACLES		○
		○	FIRE ALARM HORN/STROBE/SPEAKER TO BE REMOVED
		○	FIRE ALARM SYSTEM STROBE TO BE REMOVED
		○	FIRE ALARM SYSTEM STROBE CEILING TO BE REMOVED
		○	FIRE ALARM SYSTEM SPEAKER/STROBE CEILING TO BE REMOVED
		○	DIRECT CONNECTION TO EQUIPMENT TO BE REMOVED
		○	JUNCTION BOX TO BE REMOVED
		○	SURFACE MOUNTED PANELBOARD TO BE REMOVED
		○	RECESSED PANELBOARD TO BE REMOVED
		○	MOTOR STARTER TO BE REMOVED
		○	EXISTING DISCONNECT SWITCH TO BE REMOVED
		○	NEMA RECEPTACLE TO BE REMOVED
		○	MOTOR TO BE REMOVED
		○	EXISTING CEILING-MOUNTED INTERIOR CCTV CAMERA TO BE RETAINED
MISCELLANEOUS			○
	CEILING	○	CEILING MOUNTED 360° MOTION SENSOR
		○	CEILING MOUNTED 360° MOTION SENSOR
		○	CEILING MOUNTED 360° MOTION SENSOR
		○	CEILING MOUNTED 360° MOTION SENSOR
		○	CEILING MOUNTED 360° MOTION SENSOR
		○	CEILING MOUNTED 360° MOTION SENSOR
		○	CEILING MOUNTED 360° MOTION SENSOR
		○	CEILING MOUNTED 360° MOTION SENSOR
		○	CEILING MOUNTED 360° MOTION SENSOR
		○	CEILING MOUNTED 360° MOTION SENSOR
		○	CEILING MOUNTED 360° MOTION SENSOR
		○	CEILING MOUNTED 360° MOTION SENSOR
		○	CEILING MOUNTED 360° MOTION SENSOR



**LOW-VOLTAGE LIGHTING CONTROLLERS**

**TYPICAL LIGHT ZONE CONTROL DETAIL**

SYSTEM	AFF TOP OF OUTLET UNLESS NOTED	ELECTRICAL SYMBOLS	
		SYMBOL	DESCRIPTION
LIGHTING		○	CEILING OUTLET WITH LED FIXTURE
		○	HATCHING IN ANY FIXTURE INDICATES THAT FIXTURE TO BE COMPLETE WITH BATTERY LED DRIVER RATED FOR 90 MINUTES OUTPUT
		○	CEILING OUTLET WITH LED FIXTURE
	8'-0" OR AS NOTED	○	WALL OUTLET WITH LED FIXTURE
		○	HATCHING IN ANY FIXTURE INDICATES THAT FIXTURE TO BE COMPLETE WITH BATTERY LED DRIVER RATED FOR 90 MINUTES OUTPUT
		○	CEILING OUTLET WITH LED FIXTURE
	AS INDICATED	○	WALL OUTLET WITH LED FIXTURE
		○	CEILING OUTLET WITH EXIT SIGN FIXTURE, SINGLE OR DOUBLE FACED AS REQUIRED AS INDICATED BY SHADING, WITH ARROWS AS INDICATED
		○	CEILING OUTLET WITH EXIT SIGN FIXTURE, SINGLE OR DOUBLE FACED AS REQUIRED AS INDICATED BY SHADING, WITH ARROWS AS INDICATED
	AS REQUIRED	○	WALL OUTLET WITH EXIT SIGN FIXTURE, SINGLE OR DOUBLE FACED AS REQUIRED AS INDICATED BY SHADING, WITH ARROWS AS INDICATED
		○	ELECTRONIC TIME CLOCK
		○	CEILING MOUNTED OCCUPANCY SENSOR, LIGHT CONTROL, LOW VOLTAGE nCM PDT 9 RJB
		○	CEILING MOUNTED VACANCY SENSOR, LIGHT CONTROL, LOW VOLTAGE nCM PDT 9 RJB
		○	CEILING RECESSED MOUNTED DAYLIGHTING SENSOR, ON/OFF PHOTCELL, LOW VOLTAGE, nLIGHT nCM ADCX RJB
	FIRE ALARM		○
		○	LIGHTING CONTACTOR
		○	LIGHTING CONTROL WIRE
4'-0"		S	SENSOR SWITCH nLIGHT nPDM SERIES
4'-0"		SD	SENSOR SWITCH nLIGHT nPDM DX SERIES
4'-0"		SD	SENSOR SWITCH nLIGHT nPDM 2P DX SERIES
4'-0"		SD	SENSOR SWITCH nLIGHT nWSX PDT LV DX SERIES
4'-0"		SVS	SENSOR SWITCH nLIGHT nWSX PDT LV SERIES (SET FOR VACANCY SETTING)
		○	ADDRESSABLE FIRE ALARM SYSTEM SMOKE (PHOTOELECTRIC) DETECTOR, CEILING
		○	ADDRESSABLE FIRE ALARM SYSTEM HEAT DETECTOR, CEILING
		○	ADDRESSABLE FIRE ALARM SYSTEM DUCT SMOKE DETECTOR, REFER TO DIVISION 23 DRAWINGS FOR LOCATION AND QUANTITY
AS REQUIRED		○	DOOR HOLDER (FIRE ALARM SYSTEM CONNECTION), DEVICE BY DIVISION 28
4'-0"		○	FIRE ALARM SYSTEM DUAL-ACTION PULL STATION, WALL WITH SPECIFIED SHIELD
7'-4"		○	FIRE ALARM, AUDIO/VISUAL (SPEAKER/STROBE) ALARM, WALL
7'-4"		○	FIRE ALARM, VISUAL (STROBE) ONLY ALARM, WALL
5'-0"	○	REMOTE COMMAND CENTER FOR FIRE ALARM SYSTEM, FLUSH MOUNT	
6'-0"	○	MAIN FIRE ALARM CONTROL PANEL, DIVISION 28	
1'-8"	○	125V, 3W, 20A, 2P, 1φ DUPLEX TAMPER-PROOF RECEPTACLE, WALL	
AS REQUIRED FOR EWC	○	125V, 3W, 20A, 2P, 1φ DUPLEX TAMPER-PROOF RECEPTACLE, WALL, LOCATED WITHIN EWC COVER	
1'-8"	○	125V, 3W, 20A, 2P, 1φ DUPLEX TAMPER-PROOF RECEPTACLE, WALL, IN DOUBLE-GANG BOX	
4'-0"	○	125V, 3W, 20A, 2P, 1φ DUPLEX RECEPTACLE, WALL, DEDICATED REFRIGERATOR OUTLET, TAMPER-PROOF	
1'-8"	○	125V, 3W, 20A, 2P, 1φ DUPLEX GROUND FAULT, TAMPER-PROOF RECEPTACLE, WALL	
ACS	○	125V, 3W, 20A, 2P, 1φ DUPLEX GROUND FAULT, TAMPER-PROOF RECEPTACLE, WALL	
1'-0"	○	125V, 3W, 20A, 2P, 1φ DUPLEX GROUND FAULT RECEPTACLE, ROOF MOUNTED IN SPECIFIED FS (FD) BOX WITH CAST METAL WHILE-IN-USE COVER	
ACS	○	125V, 3W, 20A, 2P, 1φ DUPLEX TAMPER-PROOF RECEPTACLE, WALL ABOVE COUNTER BACKSPLASH	
IBS	○	125V, 3W, 20A, 2P, 1φ DUPLEX TAMPER-PROOF RECEPTACLE, WALL IN BASE OF BOOKSHELF (TOE KICK) EXTENDING FROM WALL BOX WITH FLEX CONDUIT	
CEILING	○	125V, 3W, 20A, 2P, 1φ DUPLEX RECEPTACLE, CEILING	
1'-8"	○	PROVIDE TYPE AND AMPERAGE RATING OF RECEPTACLE AS INDICATED BY NEMA NUMBER WITHIN SYMBOL. RECEPTACLE GRADE SHALL BE EQUIVALENT TO 125V, 20A RECEPTACLE SPECIFIED UNLESS INDICATED OTHERWISE.	
FLOOR	○	WIREMOLD ROUND SURFACE OPENING RGS GRAY QUAD POWER SERIES WITH TWO (2) DUPE RECEPTACLES AND AT LEAST FOUR (4) FUTURE CATEGORY 6 DATA CONNECTIONS WITH RJ45 JACKS AND LABELS. PROVIDE TWO (2) 1-1/4" CONDUITS ACCESSIBLE FLOOR VOID FOR LOW-VOLTAGE CABLING. ARCHITECT SHALL SELECT COLOR.	
	○	TELECOMMUNICATIONS MAIN GROUNDING BUS BAR PER SPECIFICATIONS	
4'-4"	○	DOOR OPERATOR PUSH PAD PROVIDED BY OTHER DIVISIONS AND INSTALLED BY DIVISION 28 ON WALL, STOREFRONT OR POST MOUNTED AS REQUIRED.	
4'-0"	○	SECURITY INTRUSION SYSTEM KEYPAD	
8'-0"	○	WALL MOUNTED MOTION SENSOR	
1'-8"	○	CEILING MOUNTED 360° MOTION SENSOR	
AS NEEDED	○	DIVIDED SURFACE RACEWAY, WIREMOLD SR4000 SERIES IN CUSTOM COLOR AS SELECTED BY THE ARCHITECT. PROVIDE OUTLETS AND PLATES FOR 'C' OUTLETS AS SHOWN ON THE DRAWINGS. RECESSED RUSH BUTTON DOOR CONTACTS SWITCH LOCATED IN DOOR FRAME HEADER ON DOOR LATCH SIDE WITH JUNCTION BOX IN DOOR FRAME AND RECESSED 3/4" CONDUIT CONCEALED TO ABOVE ACCESSIBLE CEILING VOID. COORDINATE JUNCTION BOX WITH DOOR FRAME INSTALLER.	



**CABLE HOOK**



**TYPICAL LED LIGHT FIXTURE**

**architecture incorporated**  
 1902 campus commons drive suite 101  
 reston, virginia 20191  
 Tel: 703.476.3900  
 Fax: 703.264.0733  
 www.archinc.com

**ASCENT**  
 ENGINEERING GROUP  
 4932 FRONTAGE ROAD NW  
 ROANOKE, VIRGINIA 24019  
 (540) 395-4444  
 D: JBB 16050 C: BCL

Construction Documents for:  
**ROCKINGHAM CO. PUBLIC SCHOOLS  
 JOHN WAYLAND ES  
 RENEWAL AND ADDITION**  
 801 N. MAIN STREET,  
 BRIDGEWATER, VA 22812

Project: 16034-01

Issued 02-01-2017

**BID SET**  
 Revisions

1 ADDENDUM 1 02/15/17

**ELECTRICAL LEGEND, DETAILS, AND LIGHTING SCHEDULE**

Scale: As indicated  
 Drawn: Author  
 Checked: Checker

**E0.1**

**BID SET**