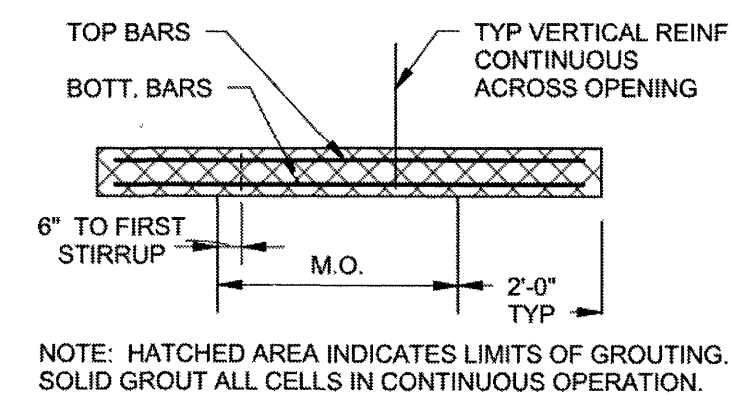


REINFORCING LOCATION	REINFORCING BARS		TYPE
	8" WALL	12" WALL	
TYPICAL WALL REINFORCING	#5 @ 48"	#5 @ 24"	VERTICAL
JAMBS / ENDS	1-#5	2-#5	VERTICAL
CORNERS / MCJ	1-#5	2-#5	VERTICAL
LINTELS / BEAM BEARING	2-#5	2-#5	VERTICAL
BOND BEAMS / TOP OF WALL	2-#5	2-#5	HORIZONTAL
MORTAR JOINT	#9 GAGE TRUSS TYPE	#9 GAGE TRUSS TYPE	HORIZONTAL

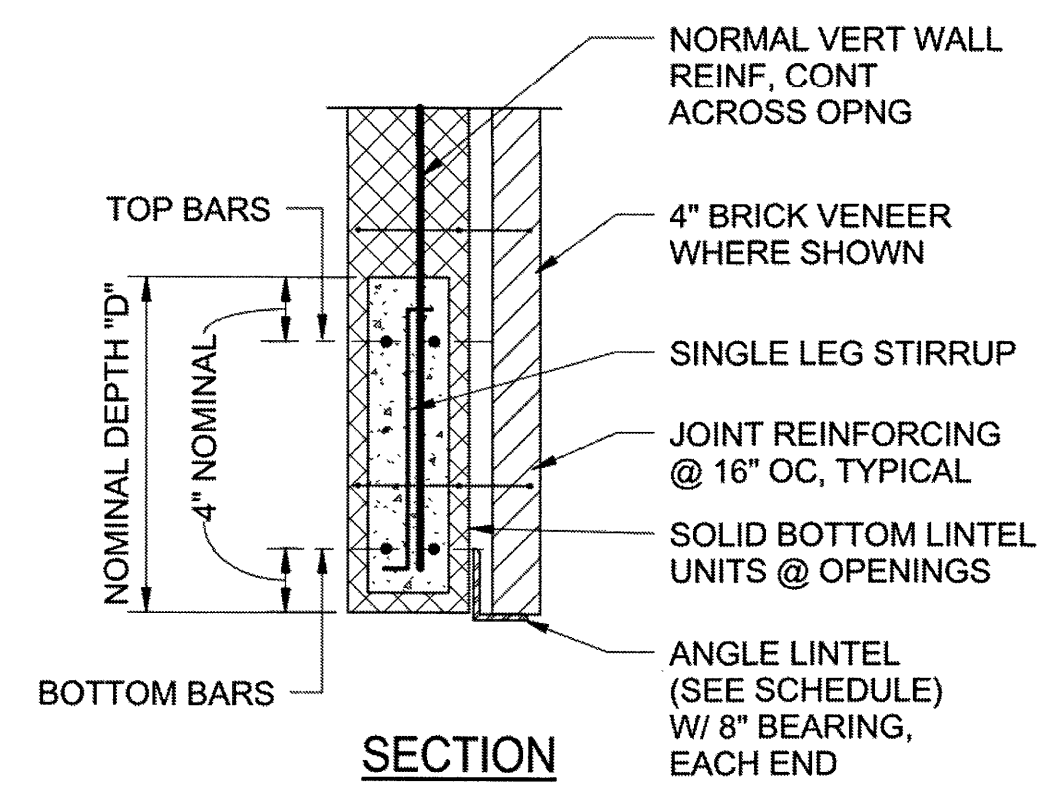
PROVIDE THE SCHEDULED WALL REINFORCING IN ALL CMU WALLS UNLESS SHOWN OTHERWISE ON DRAWINGS.



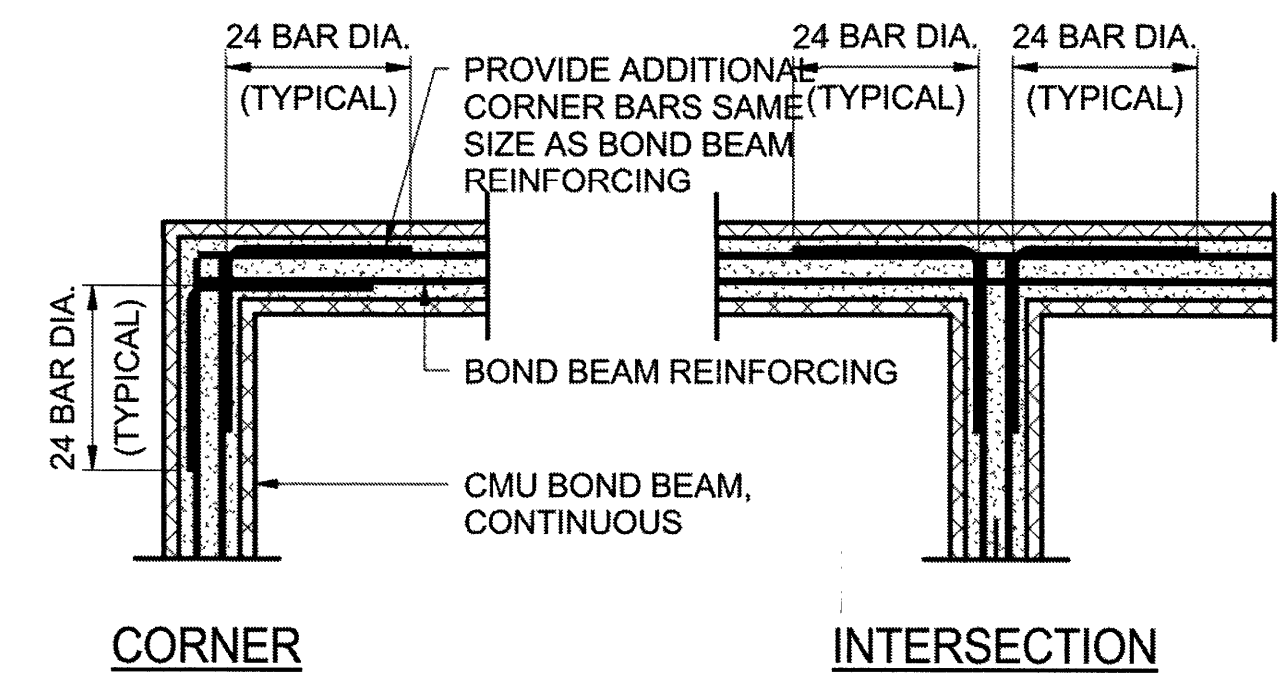
ELEVATION

SCHEDULE

MARK	B	D	MASONRY OPENING (M.O.)	TOP BARS	BOTT BARS	STIRRUPS (SPACED FROM EACH JAMB)	STEEL ANGLE FOR VENEER
L-1	12"	8"	UP TO 4'-0"	--	2-#5	--	3 1/2x3 1/2x1/4
L-2	12"	16"	OVER 4'-0" UP TO 6'-0"	--	2-#5	--	3 1/2x3 1/2x1/4
L-3	12"	24"	OVER 6'-0" UP TO 10'-0"	2-#5	2-#5	#3 @ 8"	5x3 1/2x5/16

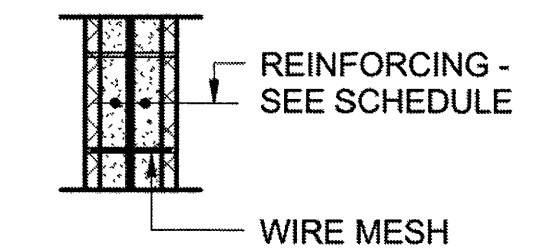


SECTION



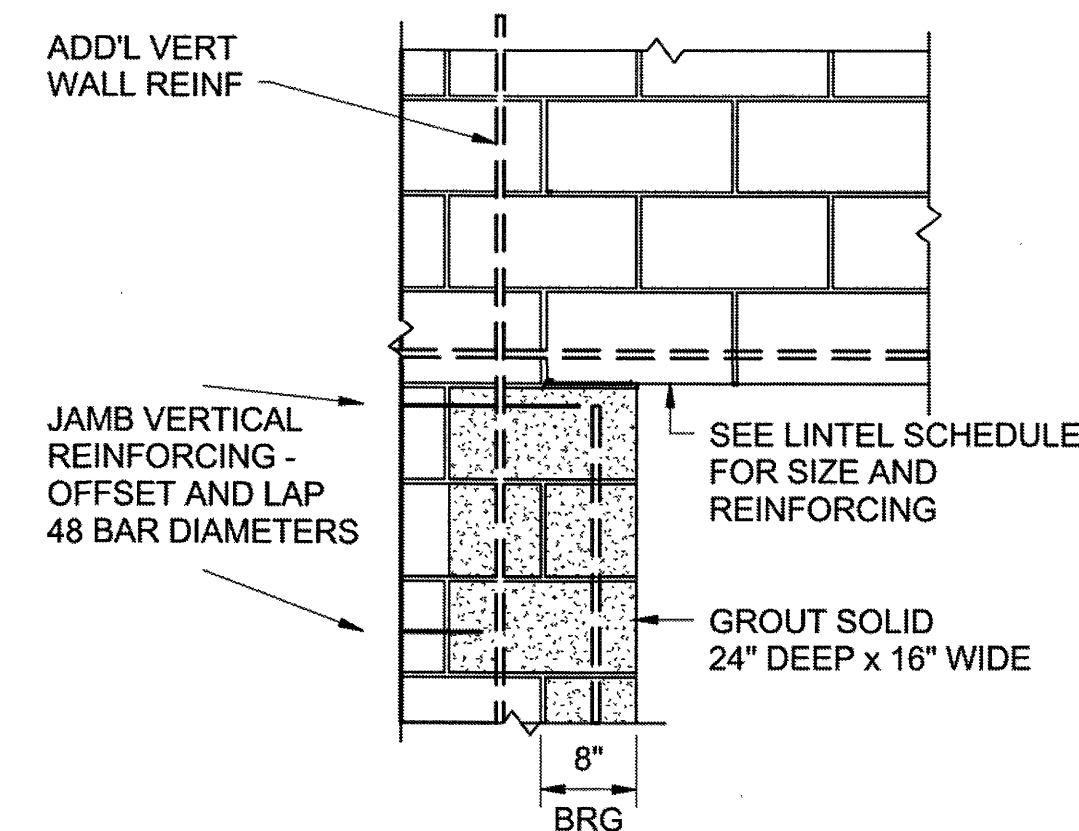
CORNER

INTERSECTION



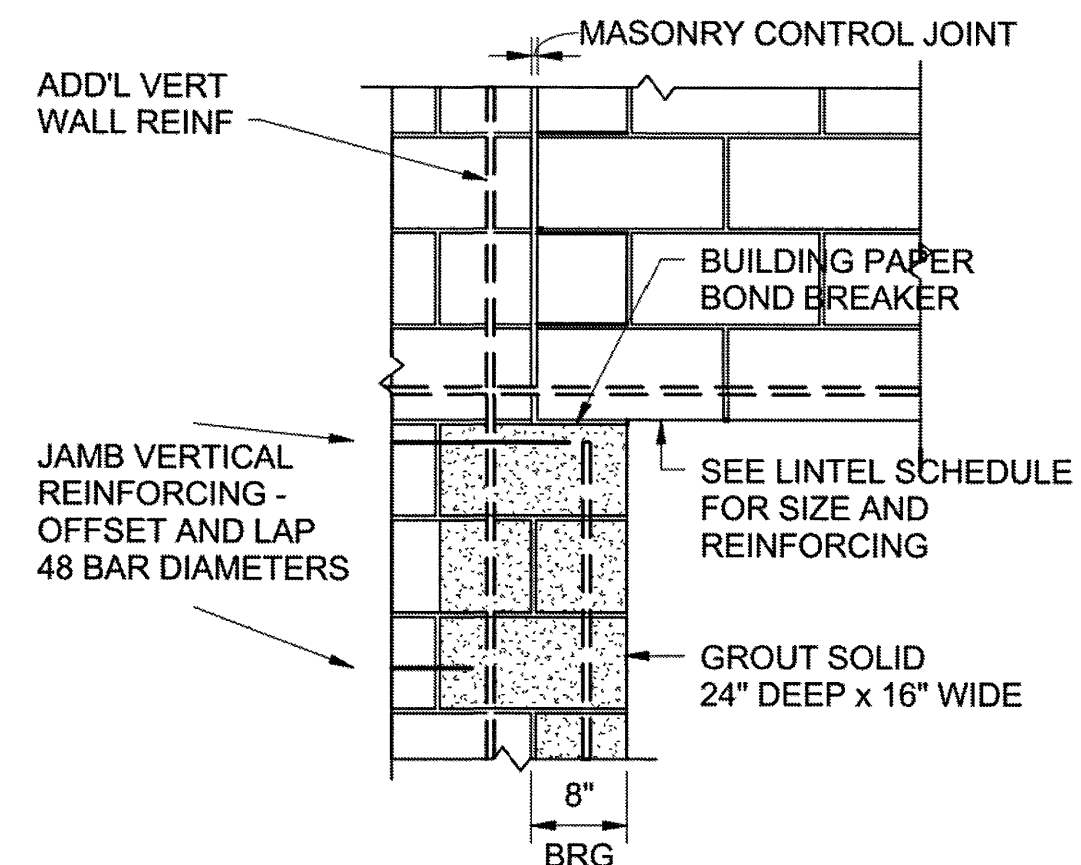
SECTION

15 TYPICAL MASONRY WALL REINF
12" = 1'-0"

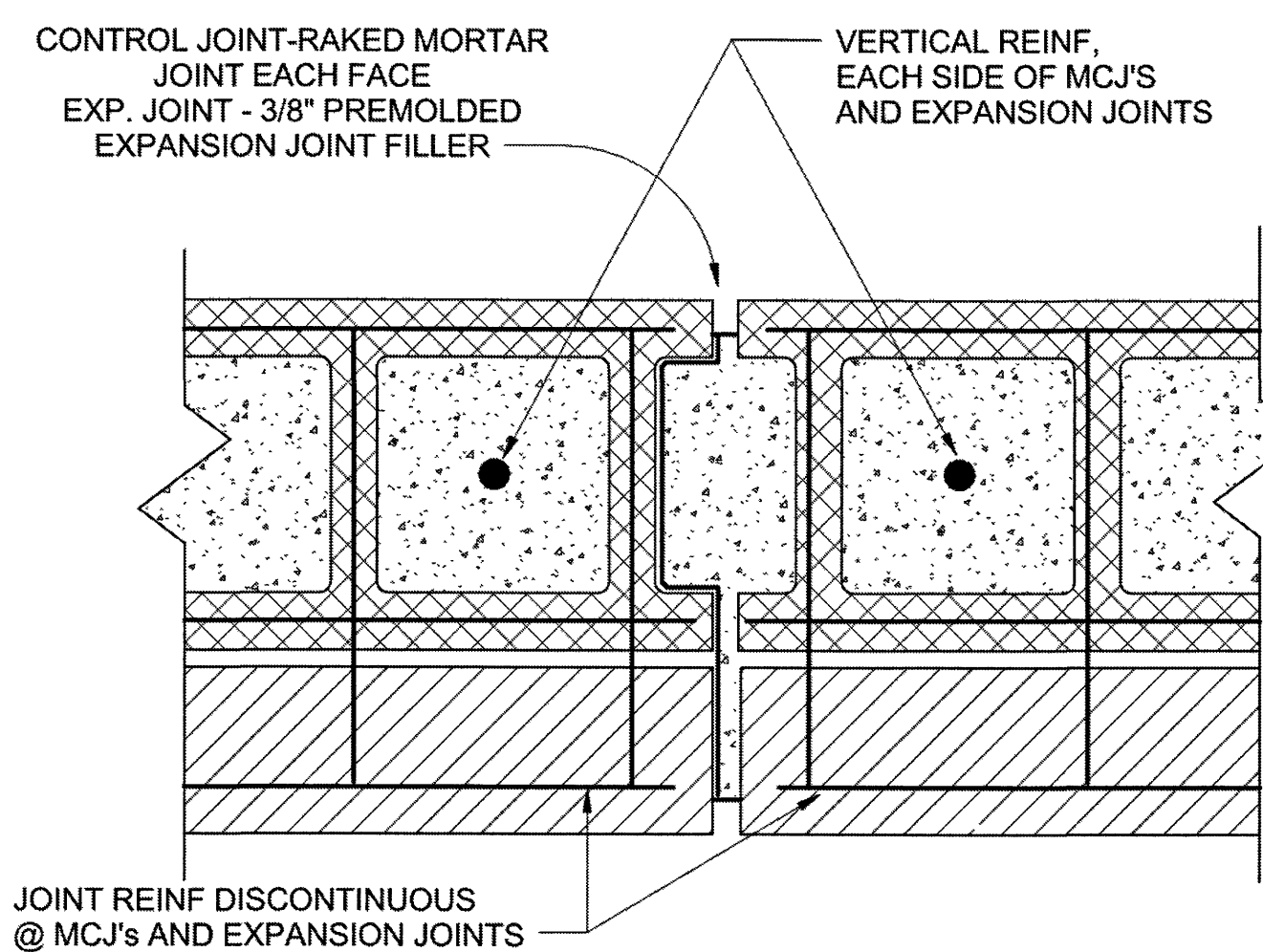


NOT AT CONTROL JOINT

2 TYPICAL MASONRY LINTELS
1/4" = 1'-0"



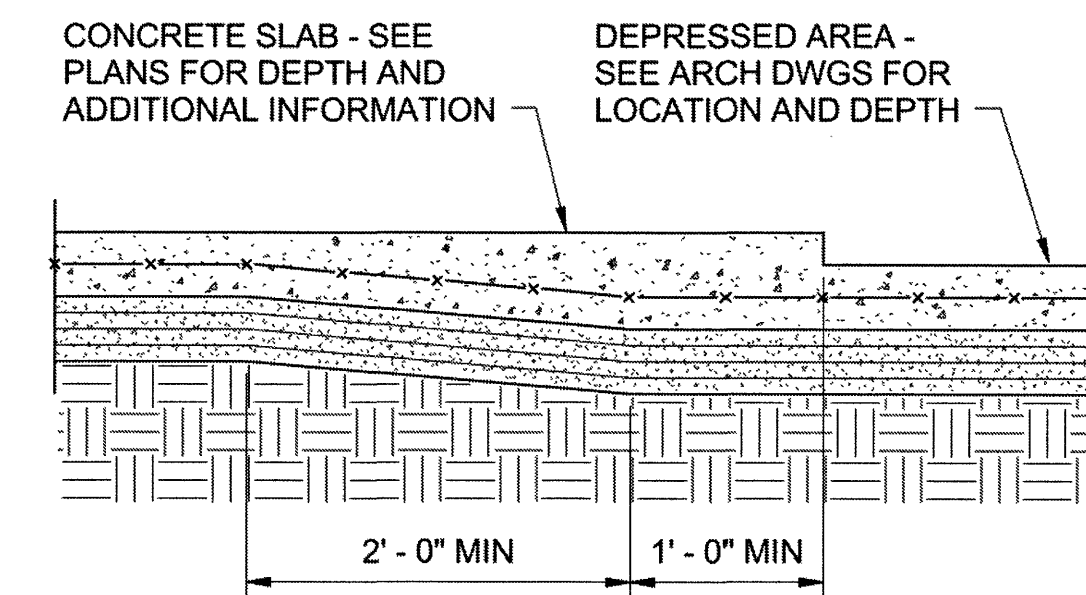
AT CONTROL JOINT



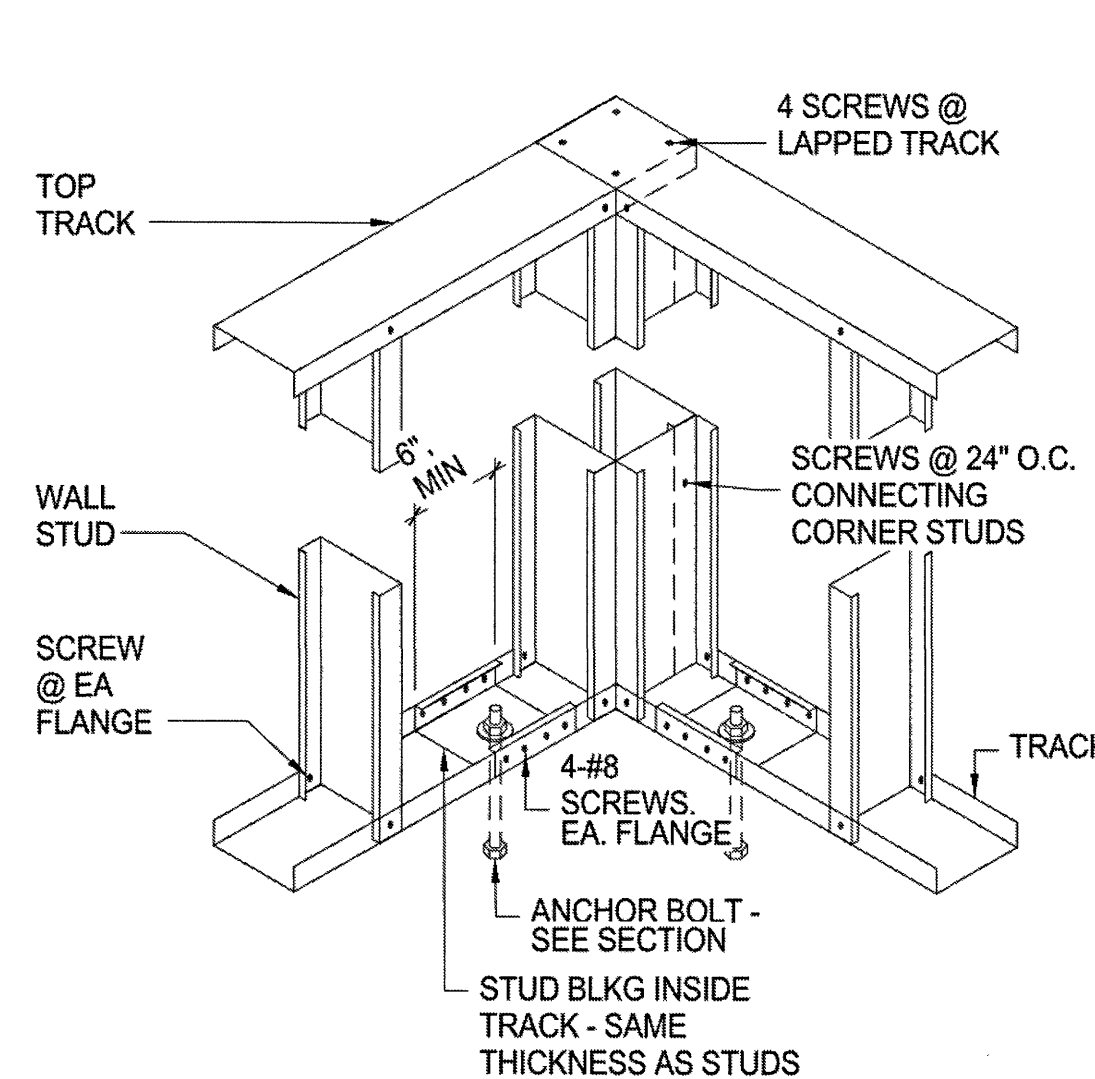
JOINT REINF DISCONTINUOUS @ MCJ'S AND EXPANSION JOINTS

5 MASONRY CONTROL JOINT DETAIL
3" = 1'-0"

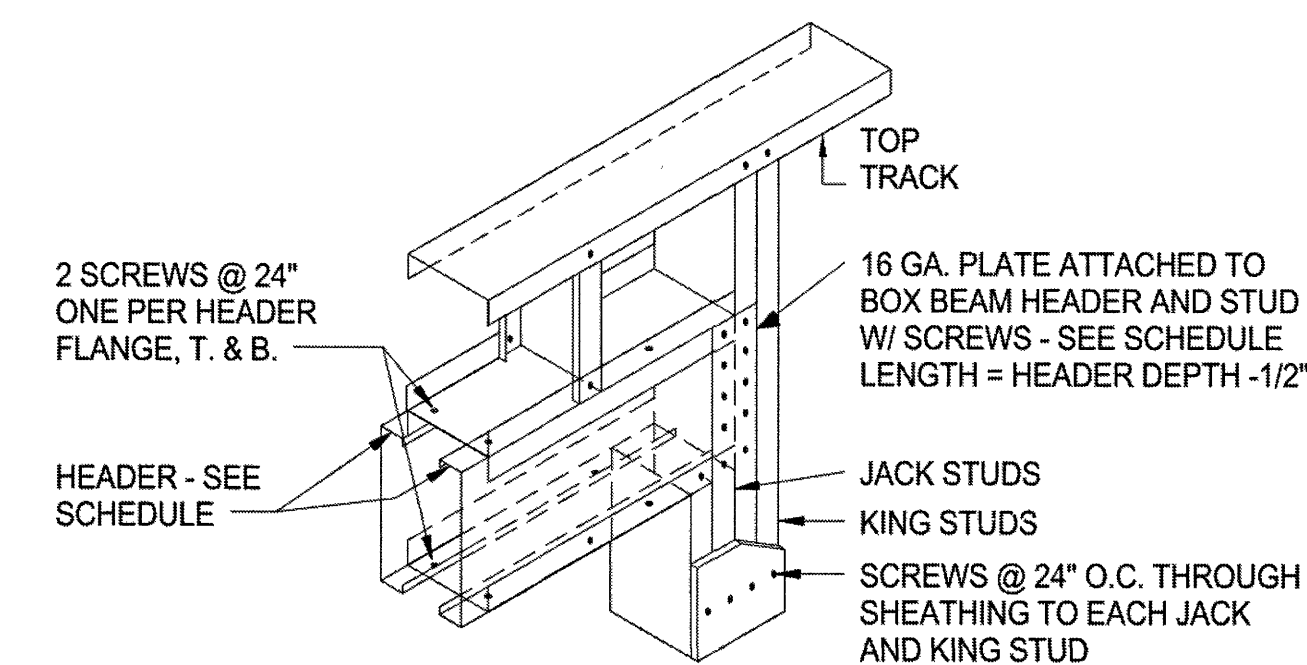
3 TYPICAL BOND BEAM REINFORCING
3/4" = 1'-0"



4 TYPICAL CMU LINTEL
3/4" = 1'-0"

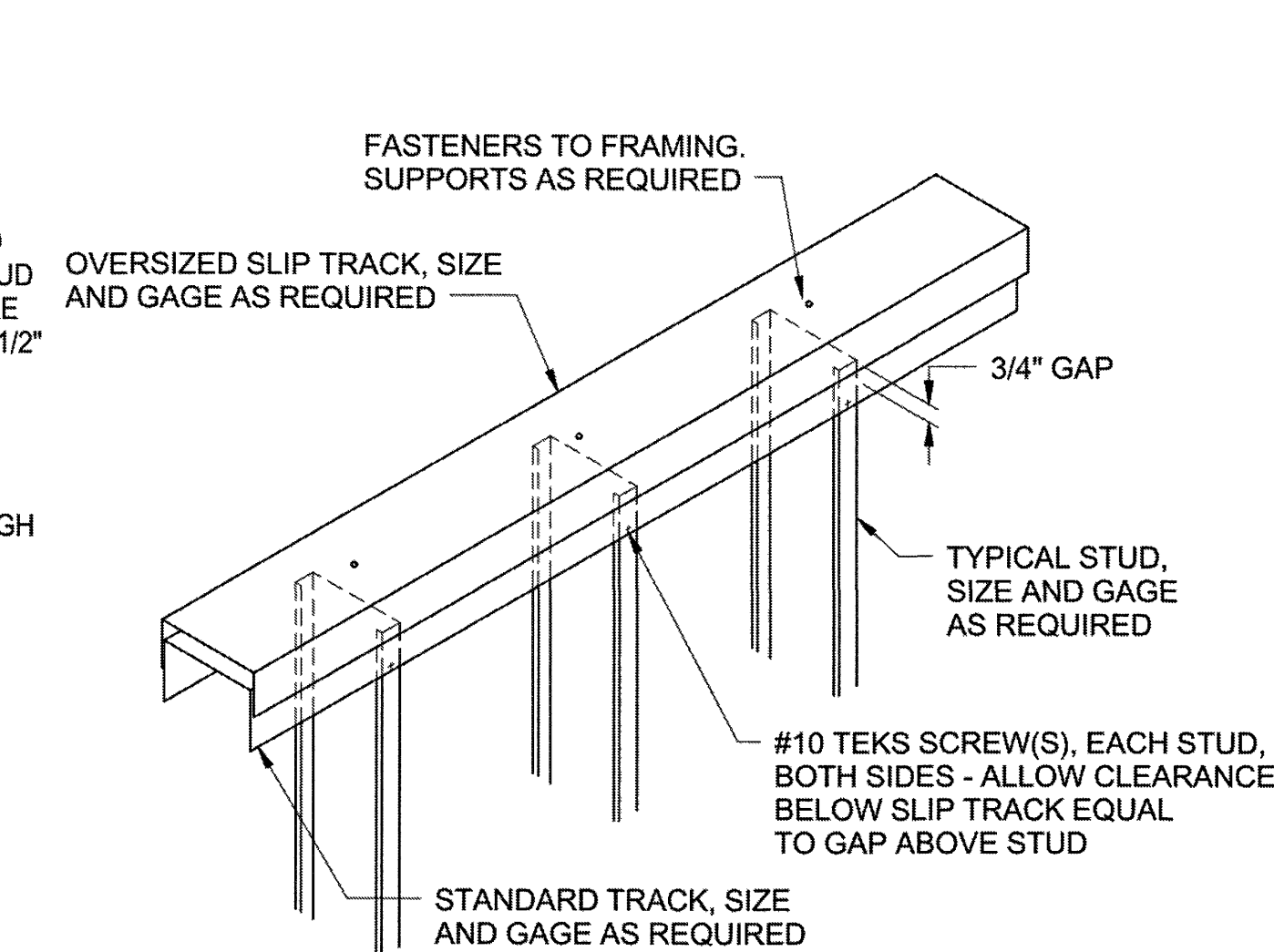


7 Steel Stud Wall
1/8" = 1'-0"



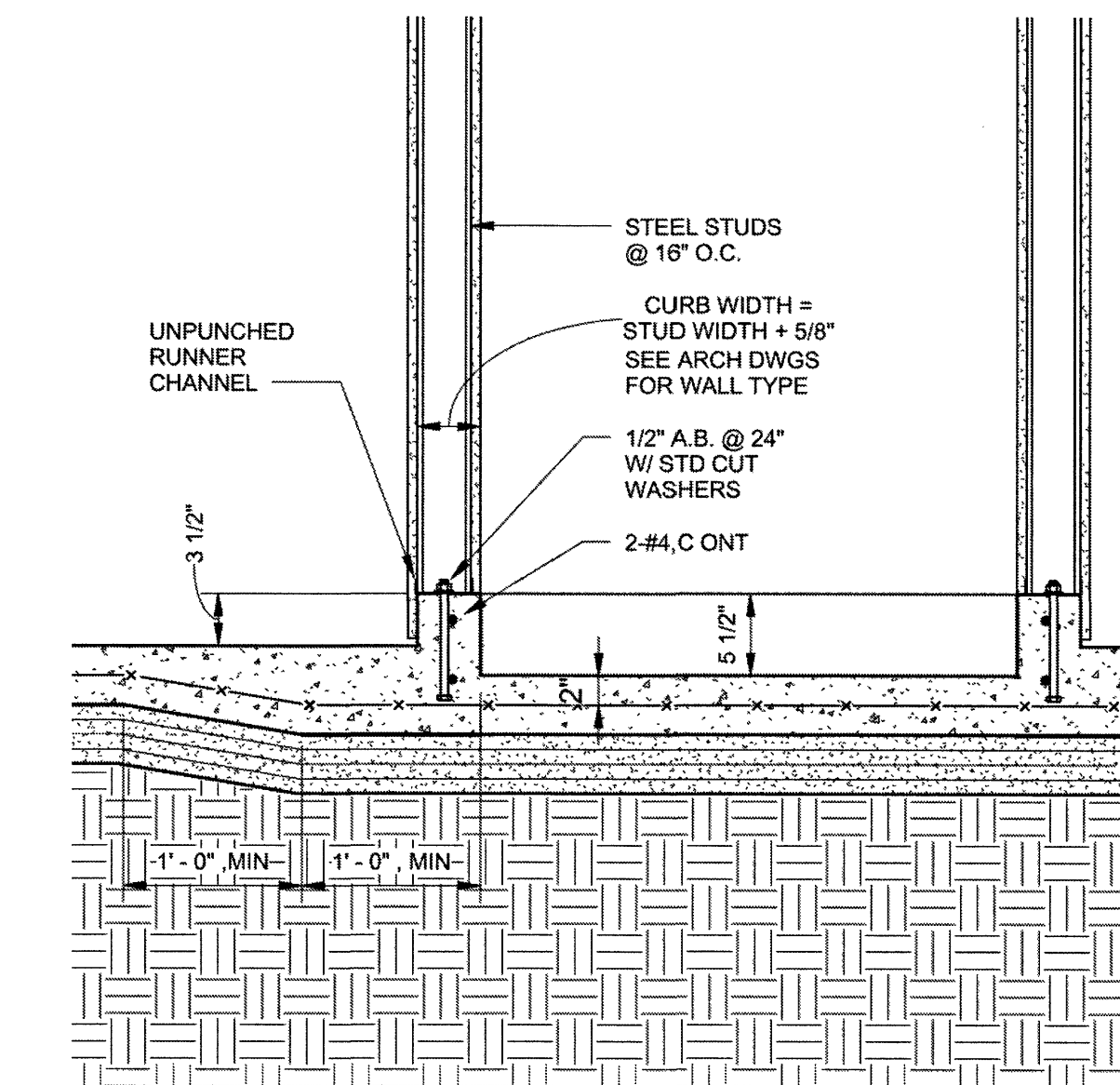
OPNG WIDTH	HEADER	NO. OF JACK STUDS	KING STUDS	HEADER TO KING STUD CONN. REQUIREMENTS
UP TO 3'-6"	2-600S162-54	1	1	4-No. 8 SCREWS
> 3'-6" TO 8'-0"	2-800S162-54	2	2	4-No. 8 SCREWS
> 8'-0" TO 10'-6"	2-1000S162-54	2	3	6-No. 8 SCREWS

8 Steel Stud Wall Header Schedule
1/8" = 1'-0"



9 SLIP TRACK DETAIL
3/4" = 1'-0"

6 TYPICAL DEPRESSED SLAB
1" = 1'-0"

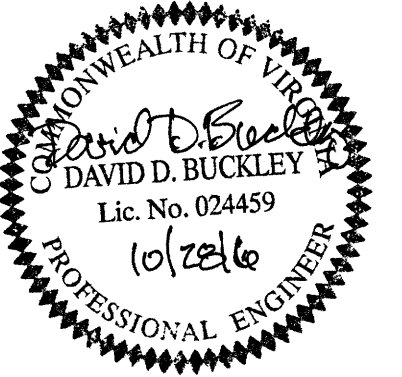


1 SECTION @ SHOWER CURB
1" = 1'-0"



ENGINEERS
ARCHITECTS
PLANNERS

449 McLAWS CIRCLE
WILLIAMSBURG, VA 23185
(757) 253-0873 VOICE
(757) 253-2319 FAX
www.djginc.com



COUNTY OF ALBEMARLE

PANTOPS
PUBLIC SAFETY
FACILITY

IFB # 2017-11223-20

CHARLOTTESVILLE,
VIRGINIA

REVISIONS

NO.	DATE	DESCRIPTION
COMMISSION NUMBER		
2160310		
SCALE: AS NOTED		
DESIGNED: DDB		
DRAWN: DDB		
CHECKED: DFB		
DATE: 10.28.2016		

THIS DOCUMENT CONTAINS INFORMATION PROPRIETARY TO DJG, INC. AND IS FURNISHED IN CONFIDENCE AS AN INSTRUMENT OF SERVICE FOR THE LIMITED PURPOSE OF EVALUATION, DESIGN AND REVIEW. OR CONSTRUCTION OF A SPECIFIC PROJECT. REPRODUCTION OF THIS DOCUMENT IN WHOLE OR IN PART, OR THE MODIFICATION OF ANY DETAIL OR DESIGN WITHOUT THE EXPRESSED WRITTEN CONSENT OF DJG, INC. IS PROHIBITED. ALL RIGHTS RESERVED. COPYRIGHT DJG, INC. © 2016.

SHEET TITLE

DETAILS

SHEET NUMBER

S-401

46 OF 68