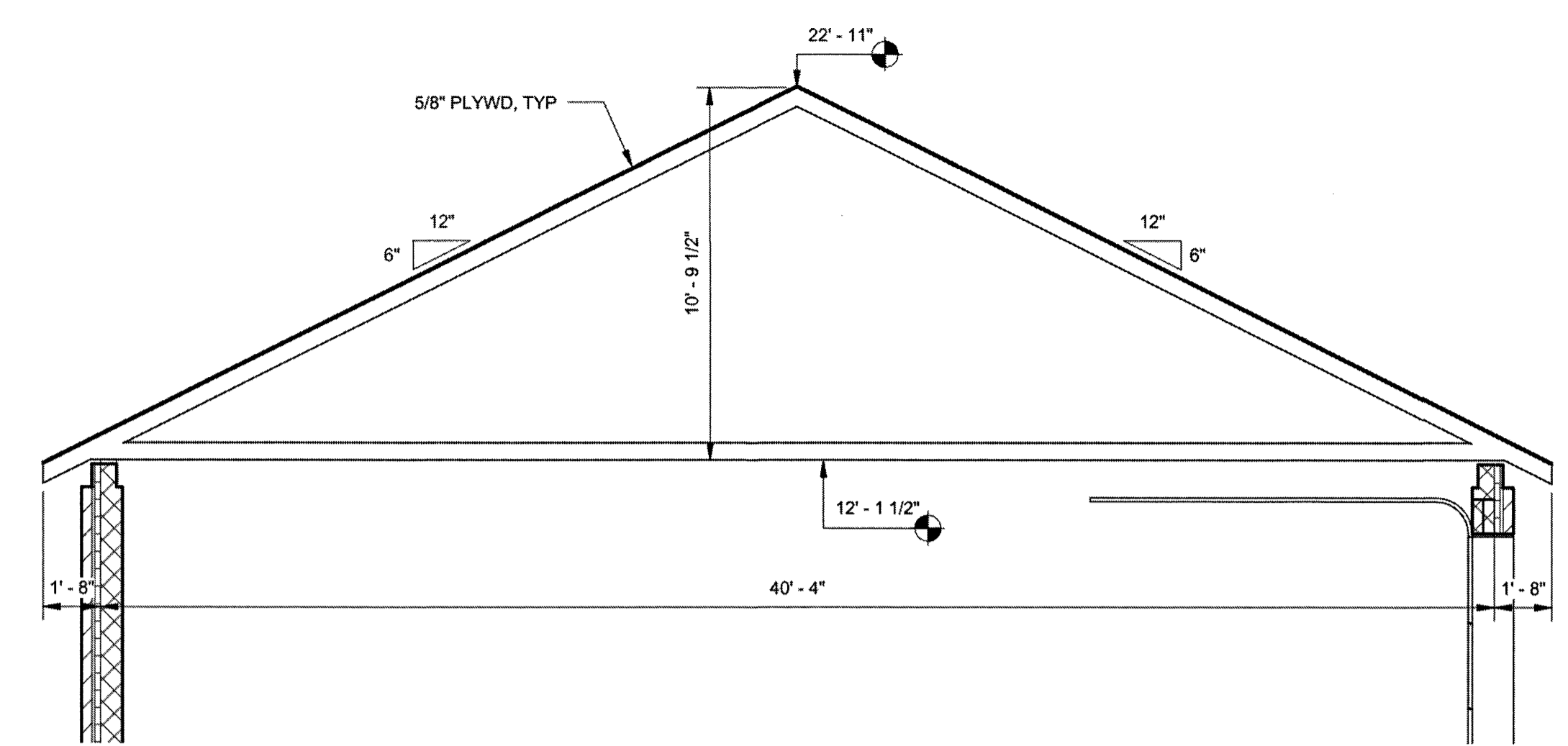
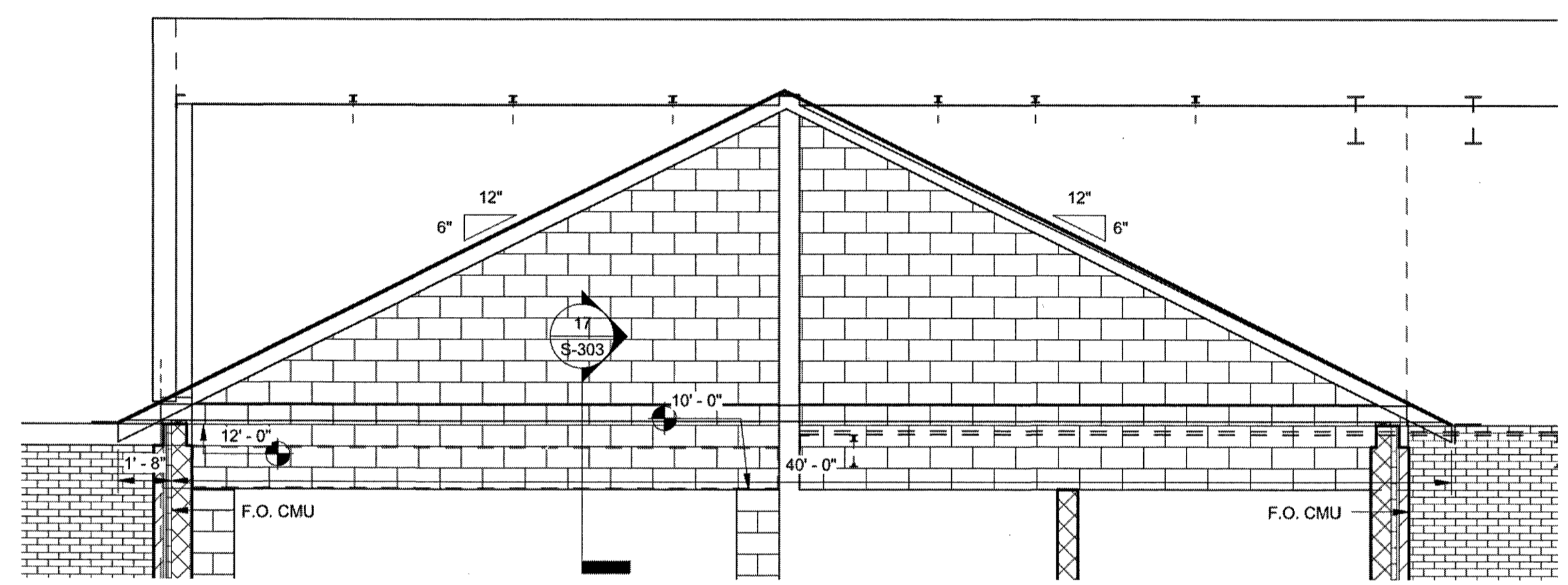


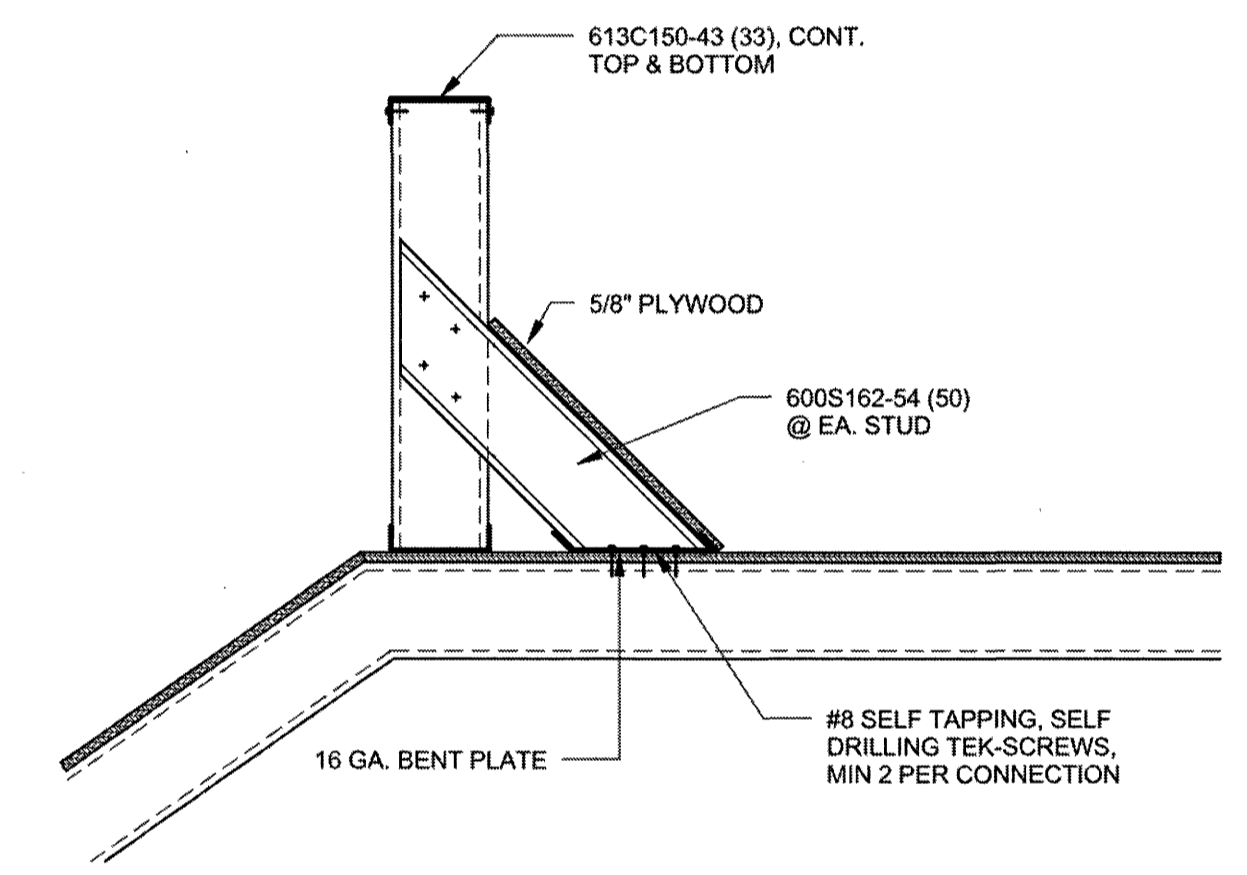
1 ROOF TRUSSES OVER OFFICES  
1/4" = 1'-0"



2 ROOF TRUSS @ MAINTENANCE  
1/4" = 1'-0"

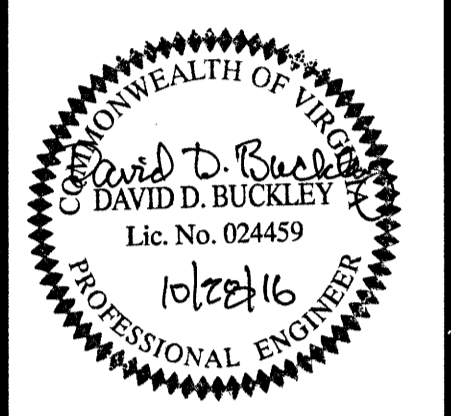


3 ROOF TRUSS @ FITNESS ROOM  
1/4" = 1'-0"



ENGINEERS  
ARCHITECTS  
PLANNERS

449 McLAWS CIRCLE  
WILLIAMSBURG, VA 23185  
(757) 253-0873 VOICE  
(757) 253-2319 FAX  
www.djginc.com



COUNTY OF ALBEMARLE

PANTOPS  
PUBLIC SAFETY  
FACILITY

IFB # 2017-11223-20

CHARLOTTESVILLE,  
VIRGINIA

REVISIONS

NO.	DATE	DESCRIPTION

COMMISSION NUMBER

2160310

SCALE: AS NOTED

DESIGNED: DDB

DRAWN: DDB

CHECKED: DFB

DATE: 10.28.2016

THIS DOCUMENT CONTAINS INFORMATION PROPRIETARY TO DJG, INC. AND IS FURNISHED IN CONFIDENCE AS AN INSTRUMENT OF SERVICE FOR THE LIMITED PURPOSE OF EVALUATION, BIDDING AND REVIEW. OR THE CONSTRUCTION OF A SPECIFIC PROJECT. REPRODUCTION OF THIS DOCUMENT IN WHOLE OR IN PART, OR THE MODIFICATION OF ANY DETAIL OR DESIGN WITHOUT THE EXPRESSED WRITTEN CONSENT OF DJG, INC. IS PROHIBITED. ALL RIGHTS RESERVED. COPYRIGHT DJG, INC. (C) 2016.

SHEET TITLE

SECTIONS AND  
DETAILS

SHEET NUMBER

S-302

44 OF 68