



ENGINEERS
ARCHITECTS
PLANNERS

449 McLAWS CIRCLE
WILLIAMSBURG, VA 23185
(757) 253-0673 VOICE
(757) 253-2319 FAX
www.djginc.com



COUNTY OF ALBEMARLE

PANTOPS
PUBLIC SAFETY
FACILITY

IFB # 2017-11223-20

CHARLOTTESVILLE,
VIRGINIA

REVISIONS

NO.	DATE	DESCRIPTION

DATE DESCRIPTION

COMMISSION NUMBER
2160310

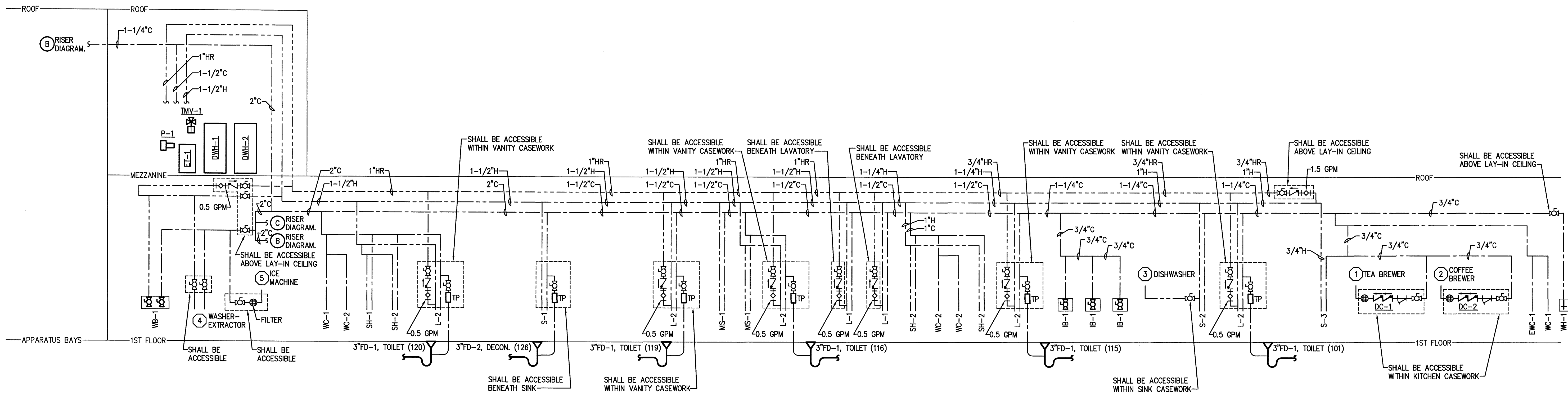
SCALE: **AS NOTED**
DESIGNED: **PGB**
DRAWN: **PGB**
CHECKED: **DFB**
DATE: **10.28.2016**

THIS DOCUMENT CONTAINS INFORMATION PROPRIETARY TO DJG, INC. AND IS FURNISHED IN CONFIDENCE AS AN INSTRUMENT OF SERVICE FOR THE LIMITED PURPOSE OF EVALUATION, BIDDING AND REVIEW, OR CONSTRUCTION OF A SPECIFIC PROJECT. REPRODUCTION OF THIS DOCUMENT, IN WHOLE OR IN PART, OR THE MODIFICATION OF ANY DETAIL OR DESIGN WITHOUT THE EXPRESS WRITTEN CONSENT OF DJG, INC. IS PROHIBITED. ALL RIGHTS RESERVED. COPYRIGHT DJG, INC. © 2016

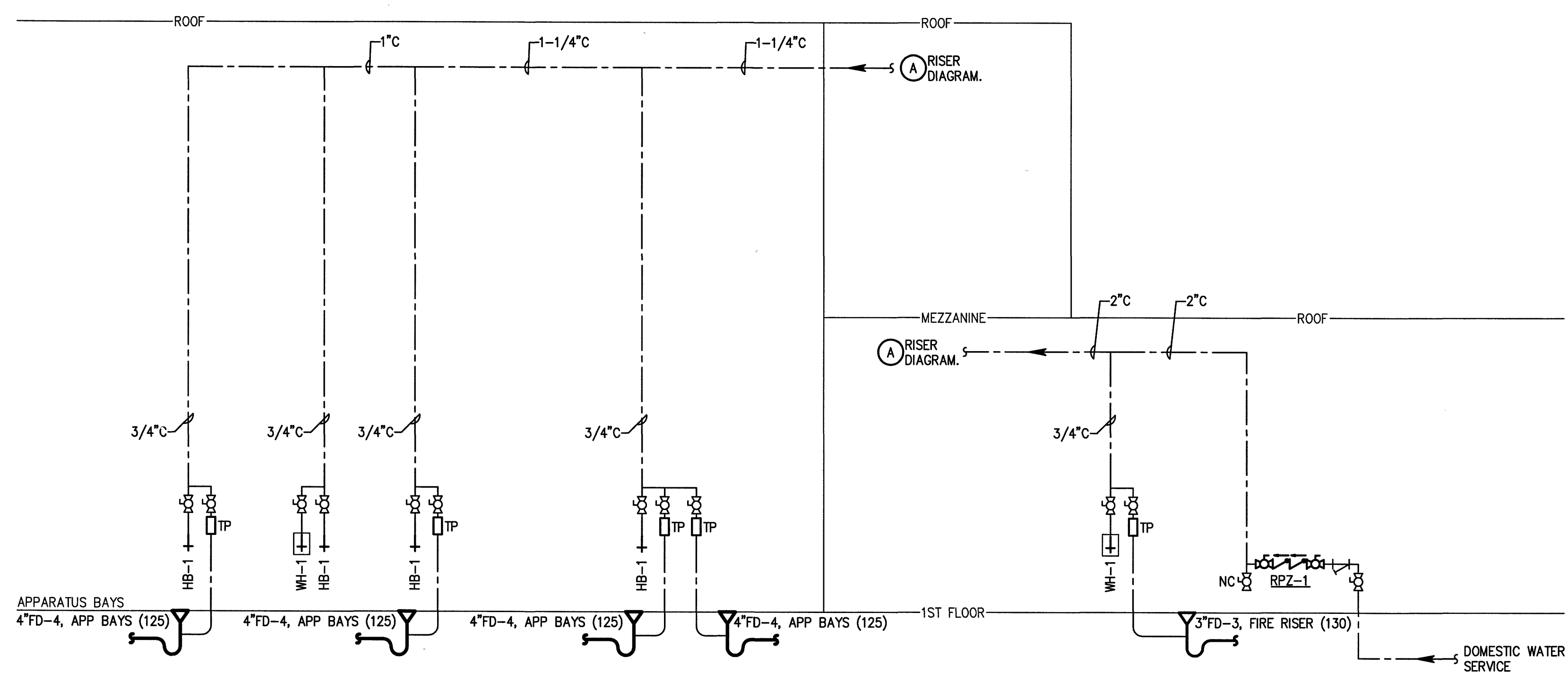
SHEET TITLE
**DOMESTIC
WATER PIPING
RISER DIAGRAM**

SHEET NUMBER
P-902

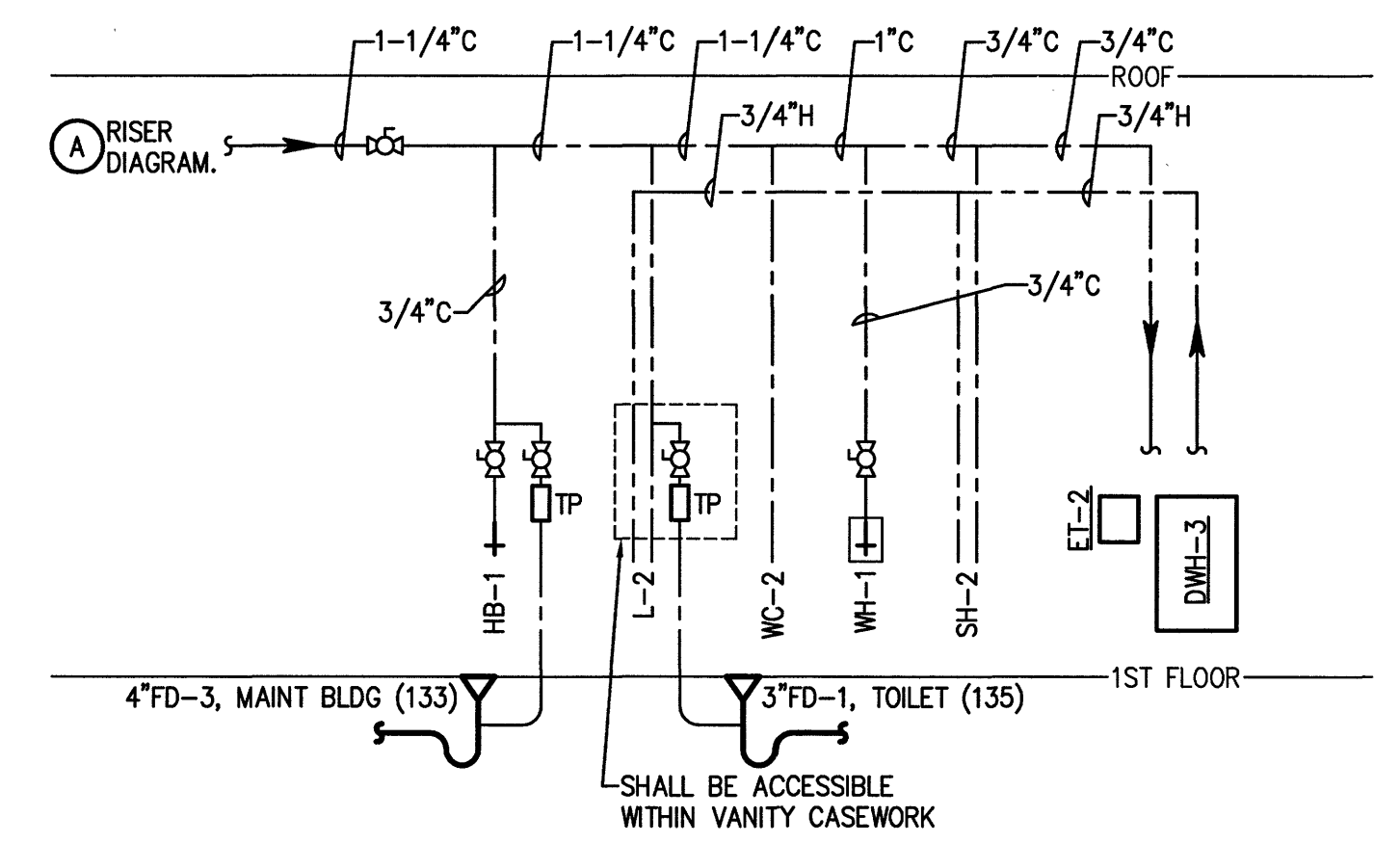
52 OF 68



A DOMESTIC WATER RISER DIAGRAM
NOT TO SCALE



B DOMESTIC WATER RISER DIAGRAM
NOT TO SCALE



C DOMESTIC WATER RISER DIAGRAM
NOT TO SCALE

ADDITIVE BID ITEM 3:
PROVIDE COPPER TUBING FOR ALL DOMESTIC WATER DISTRIBUTION.

EQUIPMENT WATER SUPPLY SCHEDULE

TAG	EQUIPMENT NAME	DCW SUPPLY (NPS)	DHW SUPPLY (NPS)	REQUIRED PRESSURE* (PSIG)	BACKFLOW PREVENTER & STANDARD	WATER TREATMENT AND FILTRATION	NOTES
1	TEA BREWER	1/2"	---	20 - 80	WATTS LF7C, ASSE 1024	FILTERED	1 & 2
2	COFFEE BREWER	1/2"	---	20 - 80	WATTS LF7C, ASSE 1024	FILTERED	1 & 2
3	DISHWASHER	---	1/2"	20 - 80	---, INTEGRAL AIR GAP	---	---
4	WASHER-EXTRACTOR	3/4"	3/4"	44 - 73	---, INTEGRAL AIR GAP	---	---
5	ICE MAKER	1/2"	---	20 - 80	---, INTEGRAL AIR GAP	FILTERED	2

* BASIS OF DESIGN EQUIPMENT
NOTES
1. PROVIDE WYE STRAINER UPSTREAM OF BACKFLOW PREVENTER.
2. PROVIDE WATER FILTRATION AS RECOMMENDED BY EQUIPMENT MANUFACTURER.