

DATE	DESCRIPTION
10.28.2016	COMMISSION NUMBER 2160310
	SCALE: AS NOTED
	DESIGNED: PGB
	DRAWN: PGB
	CHECKED: DFB

THIS DOCUMENT CONTAINS INFORMATION PROPRIETARY TO DJG, INC. AND IS FURNISHED IN CONFIDENCE AS AN INSTRUMENT OF SERVICE FOR THE LIMITED PURPOSE OF EVALUATION, DESIGN AND REVIEW OR CONSTRUCTION OF A SPECIFIC PROJECT. REPRODUCTION OF THIS DOCUMENT IN WHOLE OR IN PART, OR THE MODIFICATION OF ANY DETAIL OR DESIGN WITHOUT THE EXPRESSED WRITTEN CONSENT OF DJG, INC. IS PROHIBITED. ALL RIGHTS RESERVED. COPYRIGHT DJG, INC. (C) 2016.

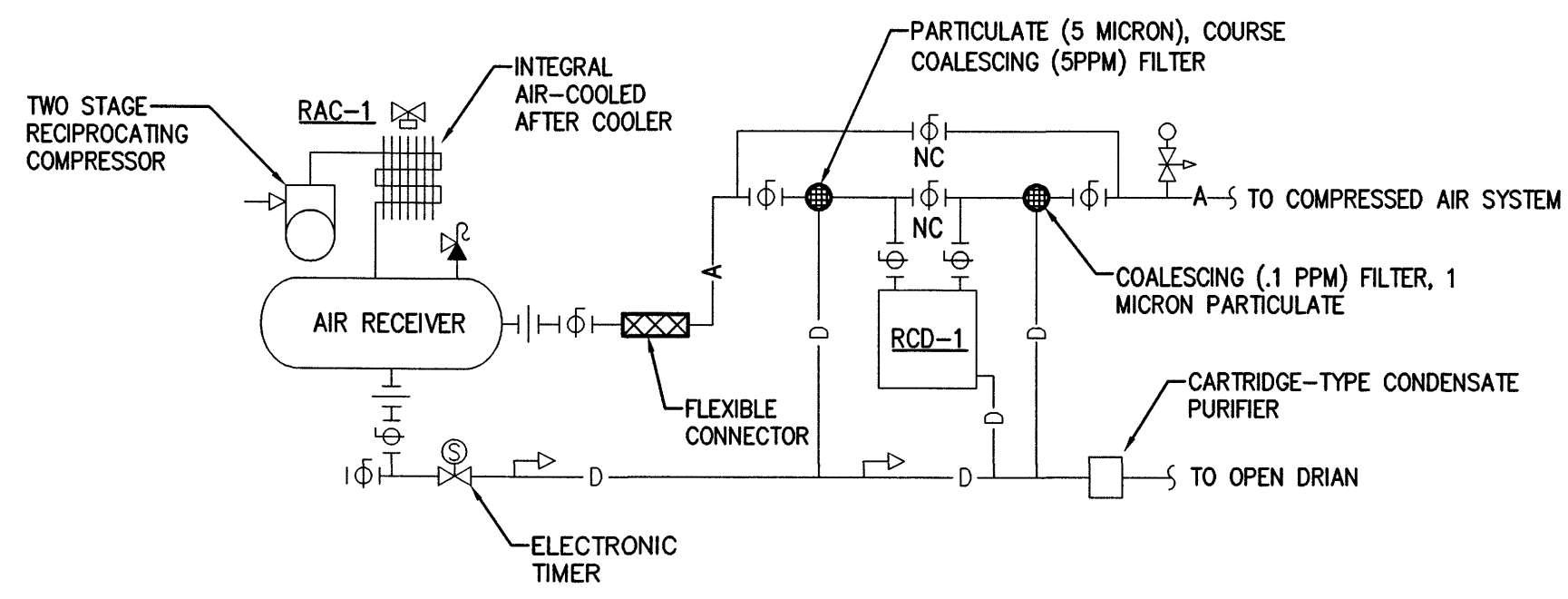
SHEET TITLE

PLUMBING
DETAILS

SHEET NUMBER

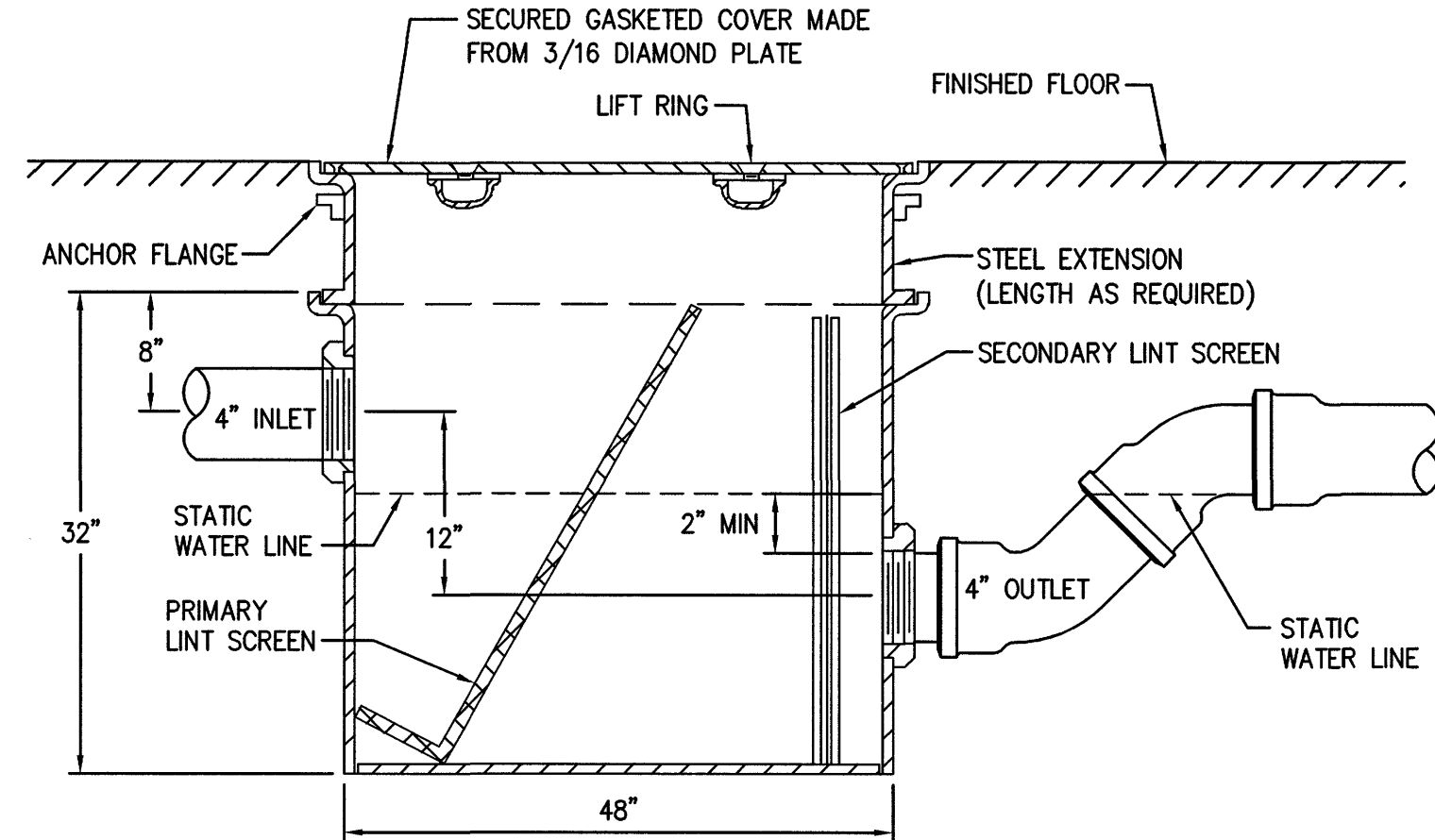
P-501

50 OF 68



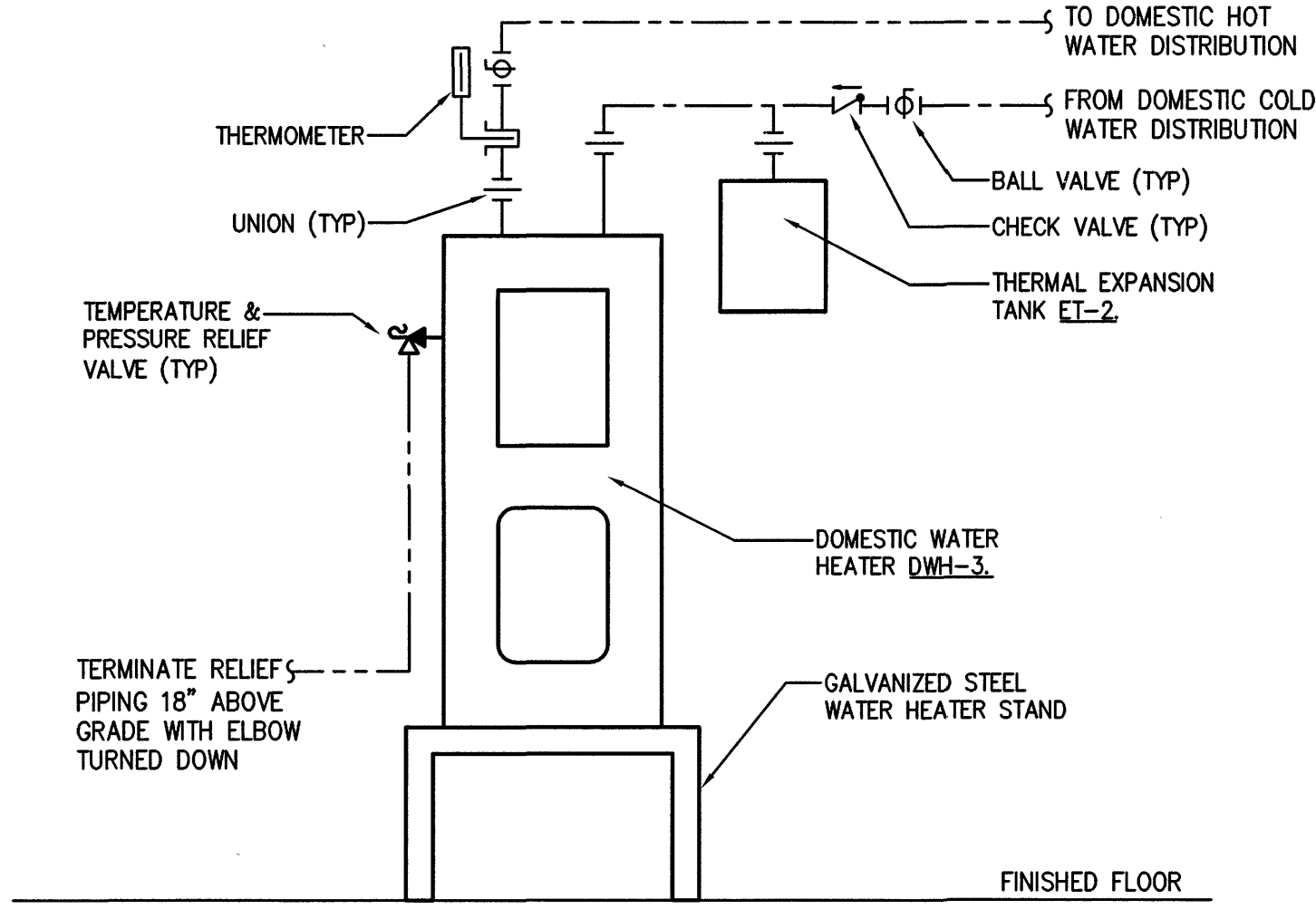
COMPRESSED AIR PLANT PIPING DETAIL

SCALE: NOT TO SCALE



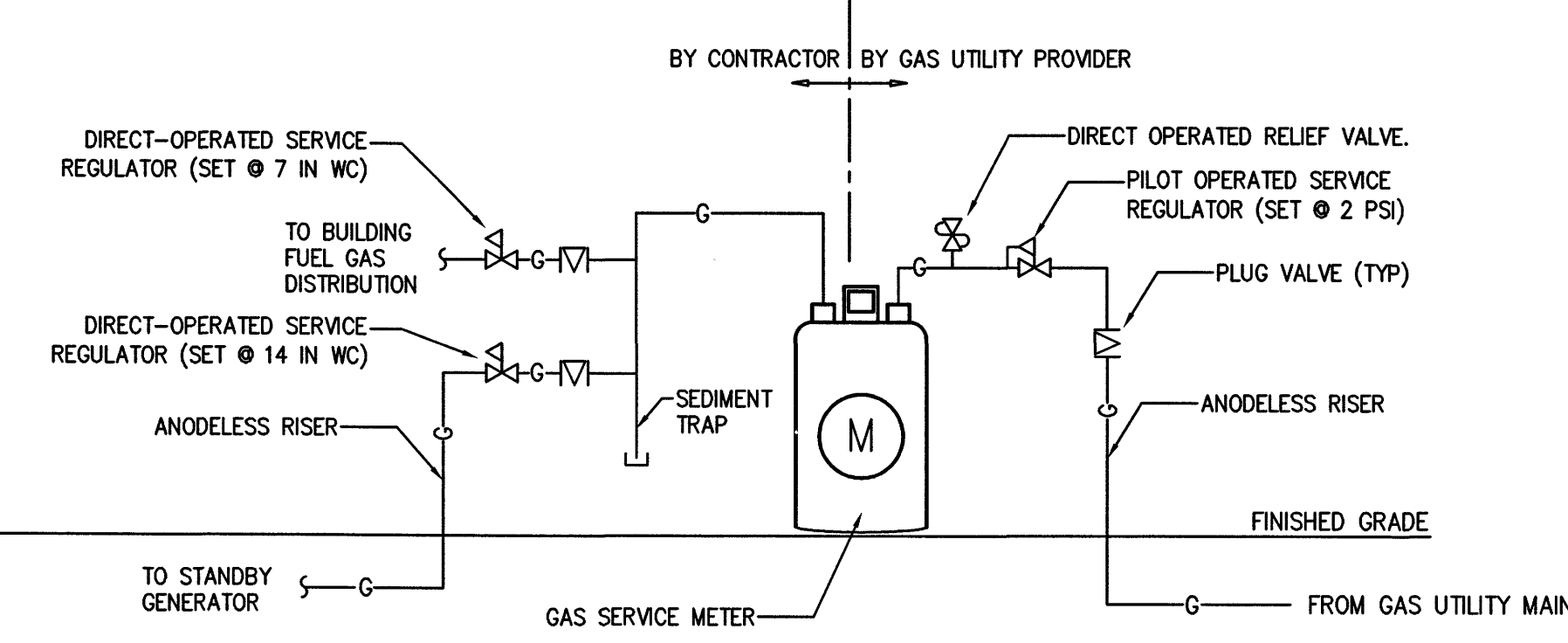
LINT INTERCEPTOR DETAIL

NOT TO SCALE
TYP OF LT-1



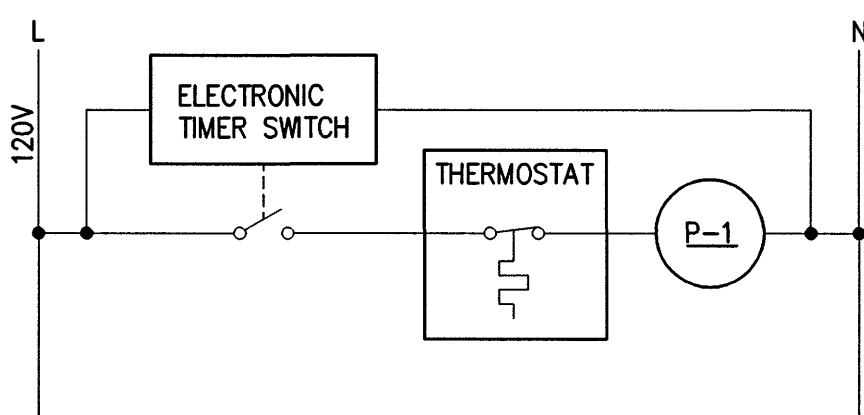
ELECTRIC DOMESTIC WATER HEATER PIPING DETAIL

NOT TO SCALE
TYP OF DWH-3, ET-2
NOTE 1: DOMESTIC WATER HEATERS SHALL BE INSTALLED IN STRICT CONFORMANCE WITH MANUFACTURER'S INSTALLATION INSTRUCTIONS. NOT ALL PIPING, VALVES, AND APPURTENANCES MAY BE SHOWN. CONTRACTOR SHALL PROVIDE ALL PIPING, VALVES, AND APPURTENANCES REQUIRED BY MANUFACTURER FOR PROPER OPERATION.



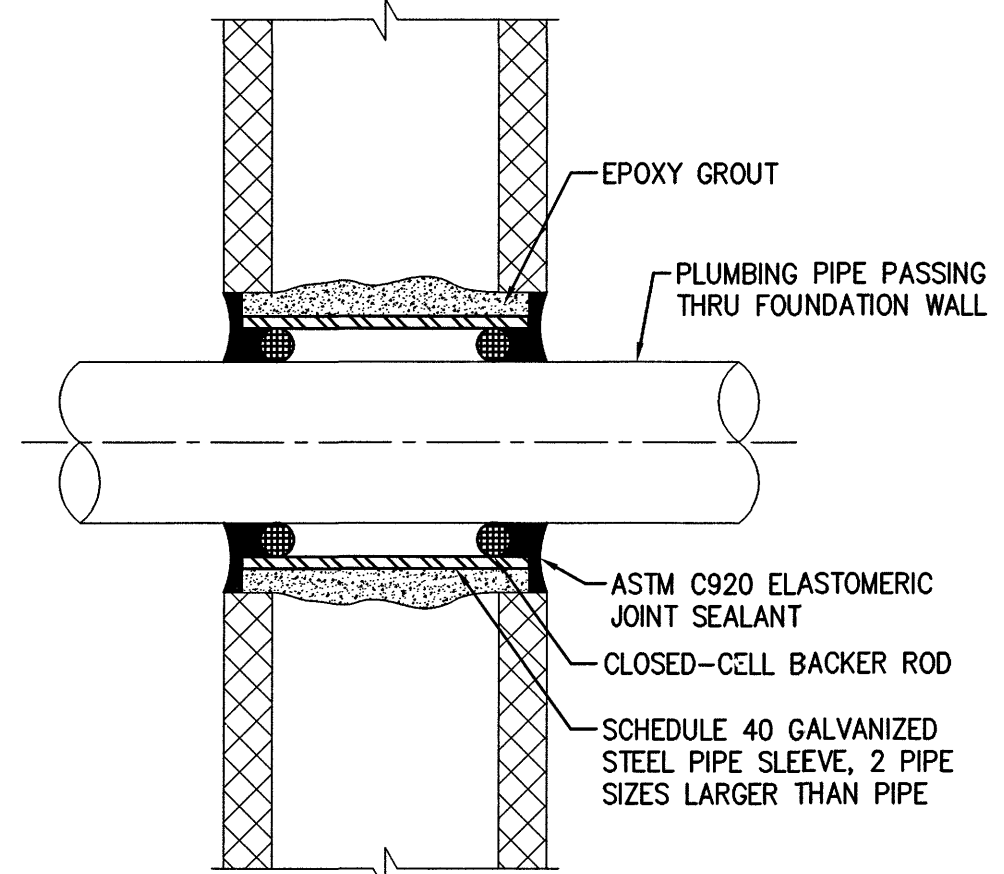
GAS SERVICE METER DETAIL

SCALE: NOT TO SCALE
TYP: DWH-1, DWH-2, P-1, ET-1, TMV-1
NOTE 1: PLUG VALVES SHALL BE IRON BODY GAS METER VALVES WITH GRAY EPOXY COATING AND LOCKING HEAD.
NOTE 2: CONTRACTOR SHALL COORDINATE WITH GAS UTILITY PROVIDER (CITY OF CHARLOTTESVILLE)



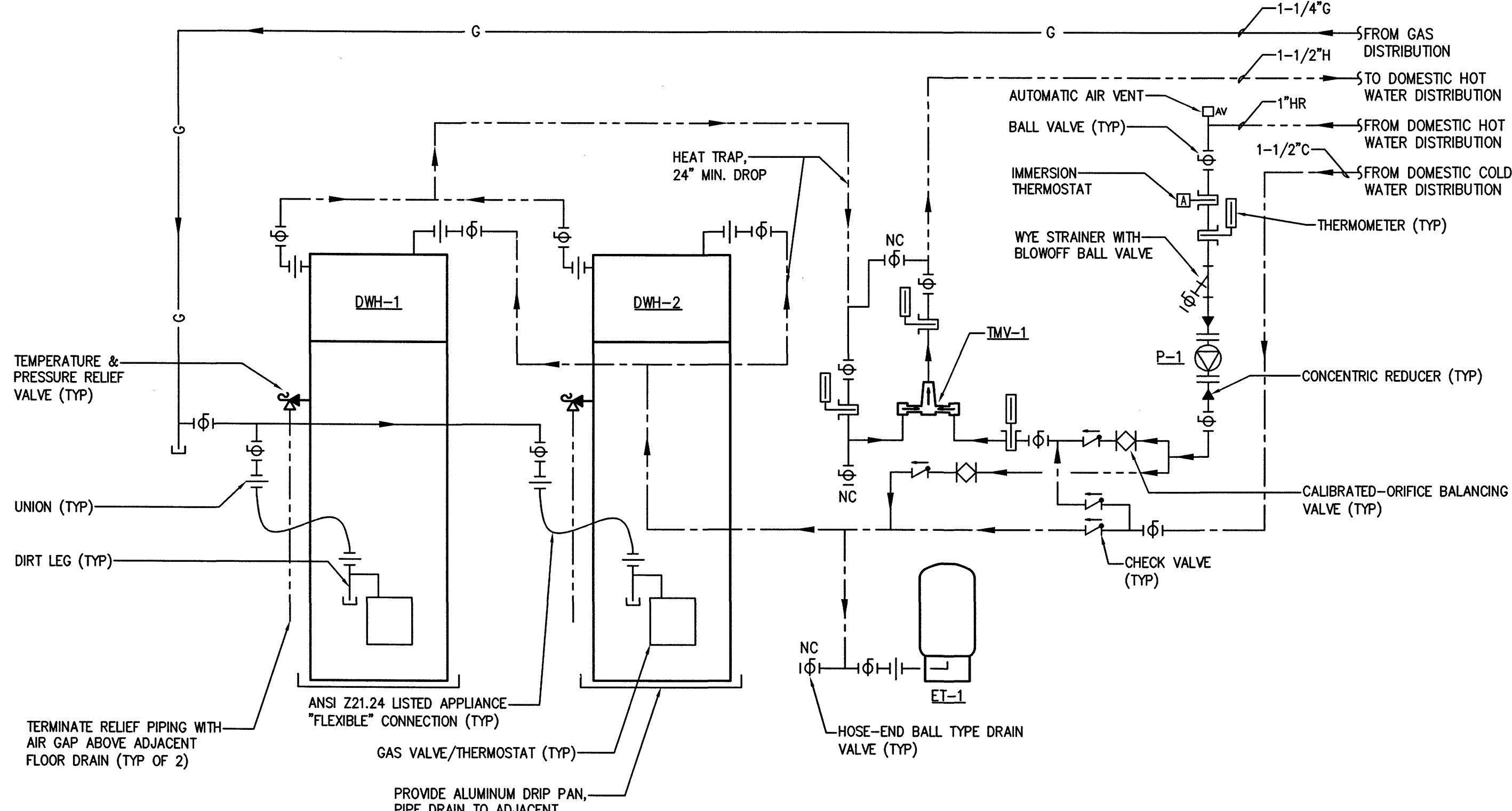
DOMESTIC HOT WATER CIRCULATION PUMP WIRING DIAGRAM & CONTROL SEQUENCE

NOT TO SCALE
TYP OF P-1
CONTROL SEQUENCE
THE DOMESTIC HOT WATER CIRCULATION SYSTEM SHALL BE ENABLED BY A 7-DAY PROGRAMMABLE ELECTRONIC TIMER SWITCH. THE DOMESTIC HOT WATER CIRCULATOR PUMP SHALL BE ENABLED WHEN THE DOMESTIC HOT WATER RETURN TEMPERATURE DROPS TO 114°F. THE DOMESTIC HOT WATER CIRCULATOR PUMP SHALL BE DISABLED WHEN THE DOMESTIC HOT WATER RETURN TEMPERATURE RISES TO 120°F.



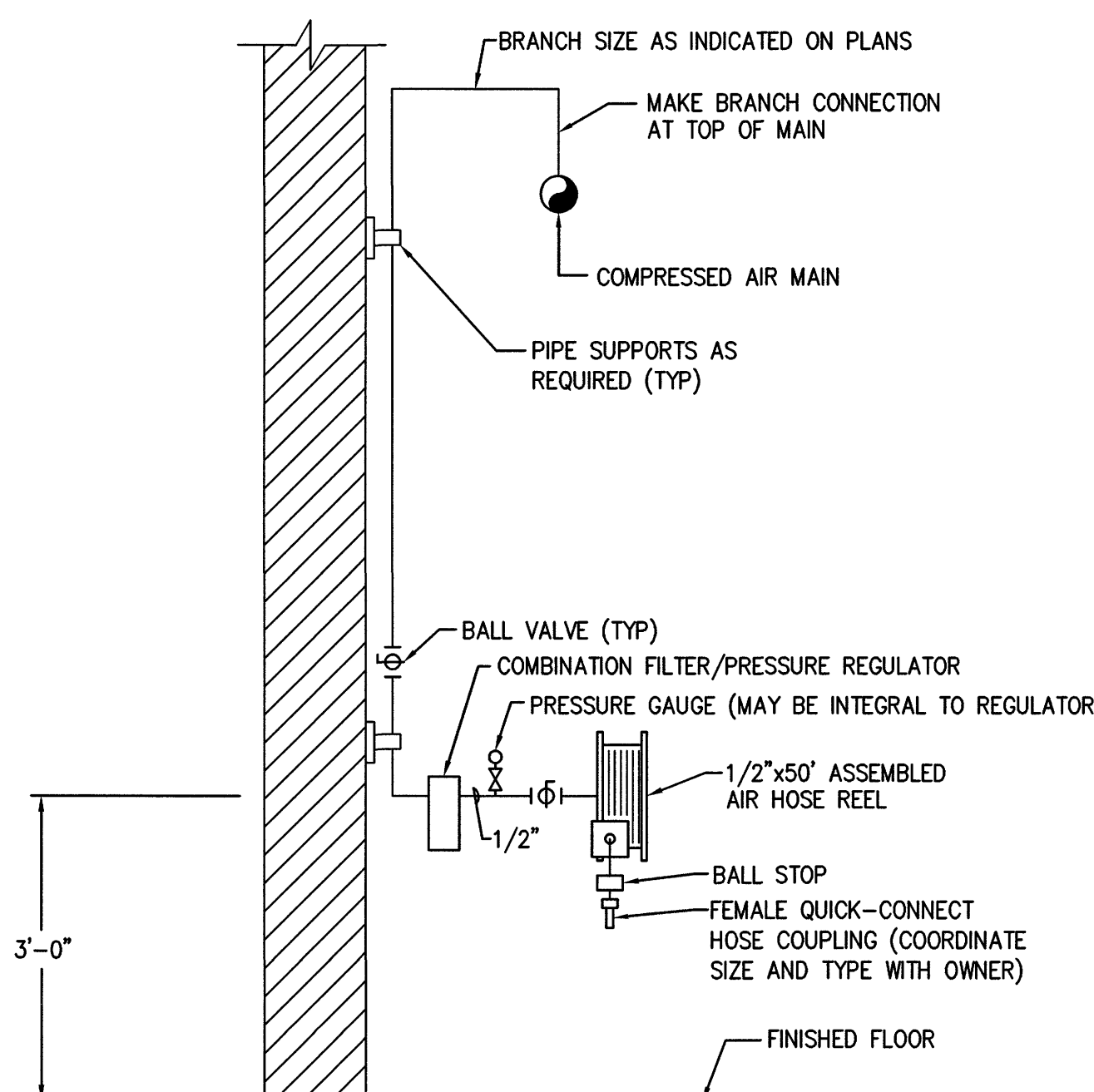
TYPICAL FOUNDATION WALL PIPE PENETRATION DETAIL

NOT TO SCALE



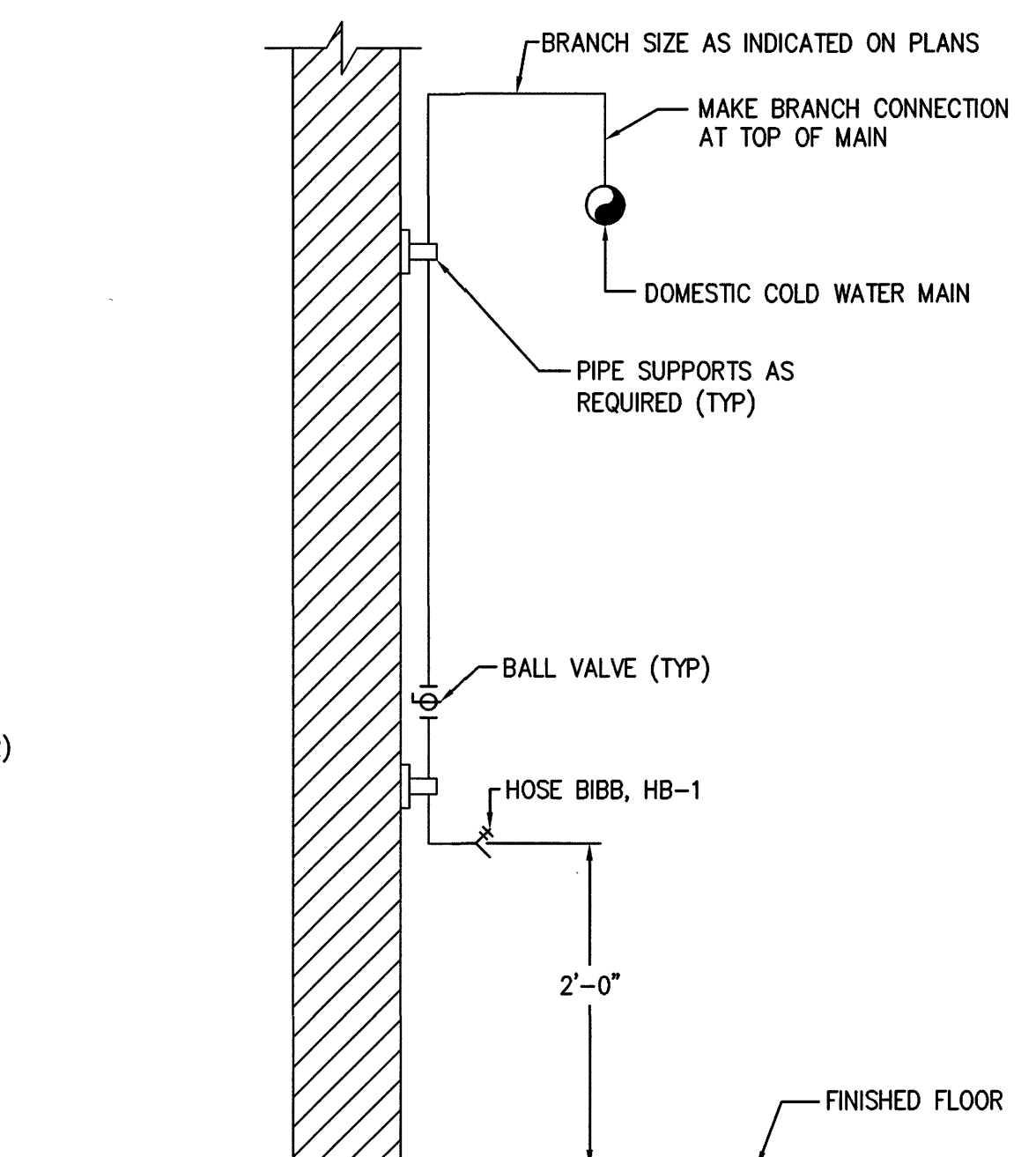
DUPLEX GAS FIRED DOMESTIC WATER HEATER PIPING DETAIL

SCALE: NOT TO SCALE
TYP: DWH-1, DWH-2, P-1, ET-1, TMV-1
NOTE 1: DOMESTIC WATER HEATERS SHALL BE INSTALLED IN STRICT CONFORMANCE WITH MANUFACTURER'S INSTALLATION INSTRUCTIONS. NOT ALL PIPING, VALVES, AND APPURTENANCES MAY BE SHOWN. CONTRACTOR SHALL PROVIDE ALL PIPING, VALVES, AND APPURTENANCES REQUIRED BY MANUFACTURER FOR PROPER OPERATION.
NOTE 2: ALL DOMESTIC WATER HEATER MANIFOLD PIPING SHALL BE EQUAL IN LENGTH.



TYPICAL PNEUMATIC TOOL STATION

NOT TO SCALE
NOTE: ACCESSORIES SHOWN OFFSET FROM WALL FOR CLARITY.



TYPICAL HOSE BIBB DROP

NOT TO SCALE