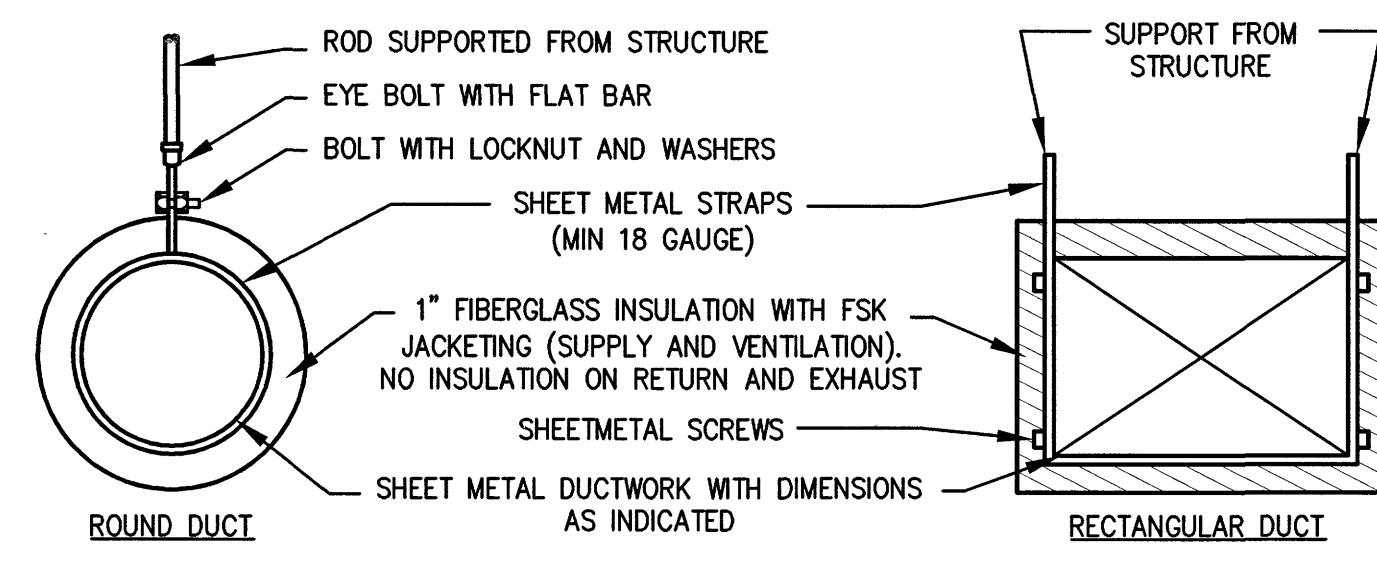
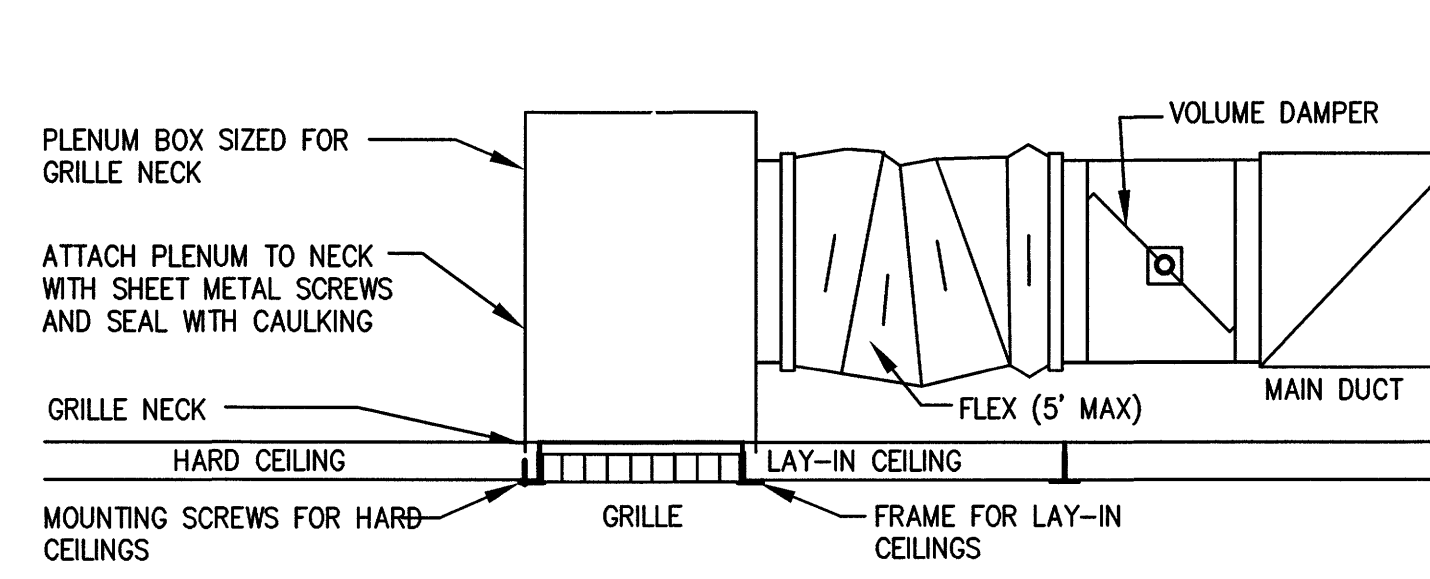


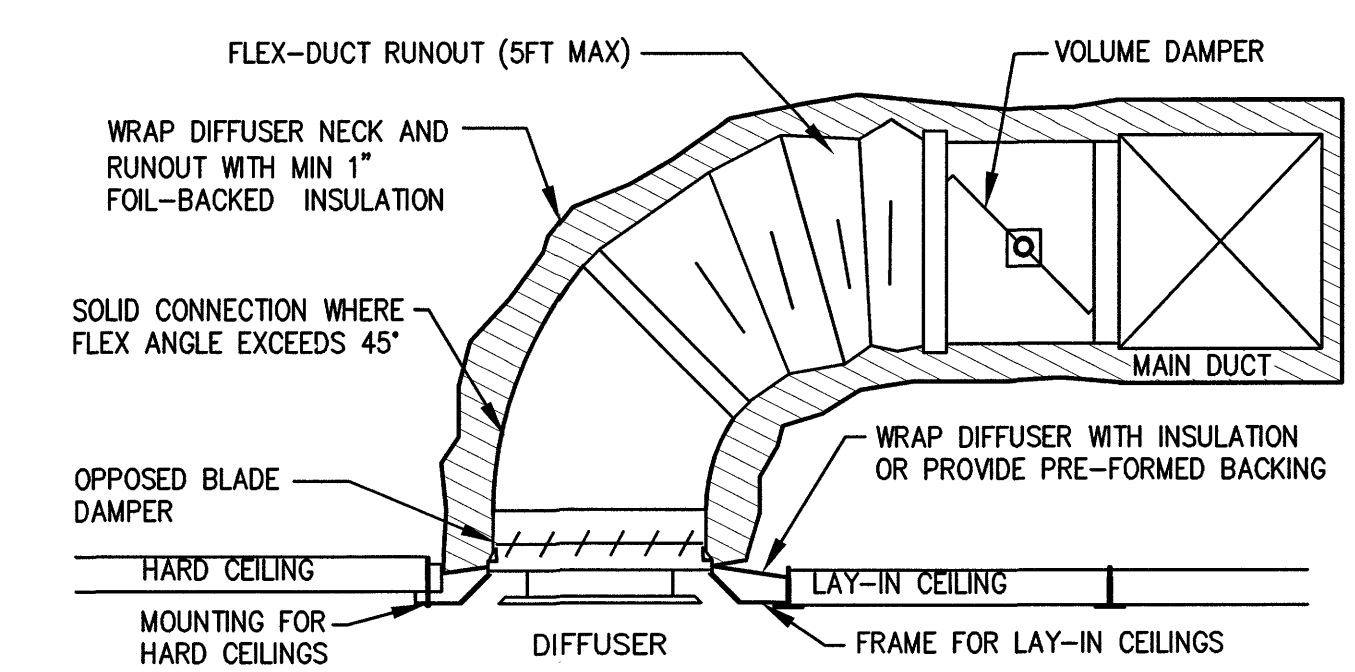
DUCTWORK BRANCH CONNECTIONS
NOT TO SCALE



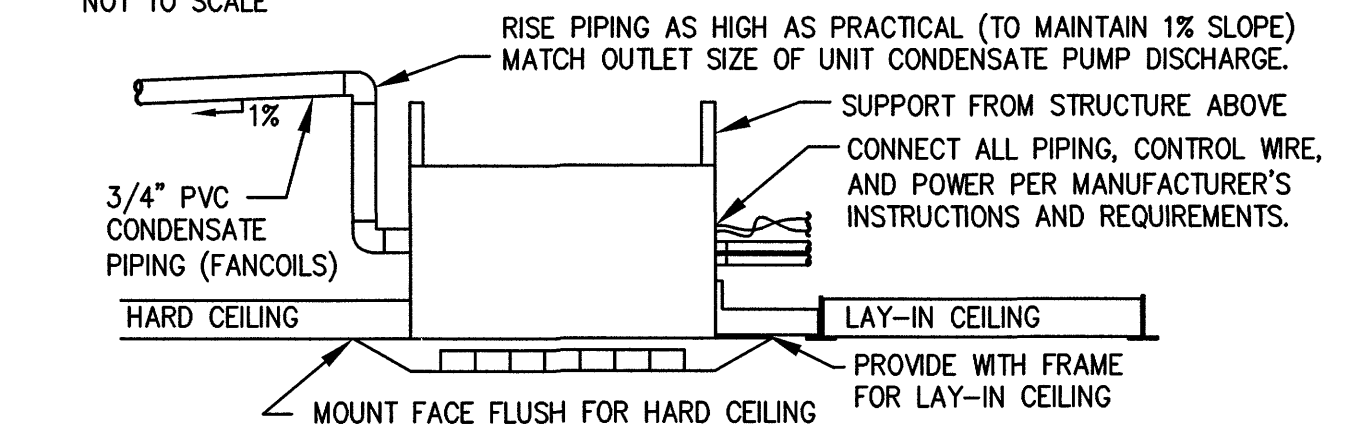
TYPICAL DUCTWORK AND SUPPORTS
NOT TO SCALE



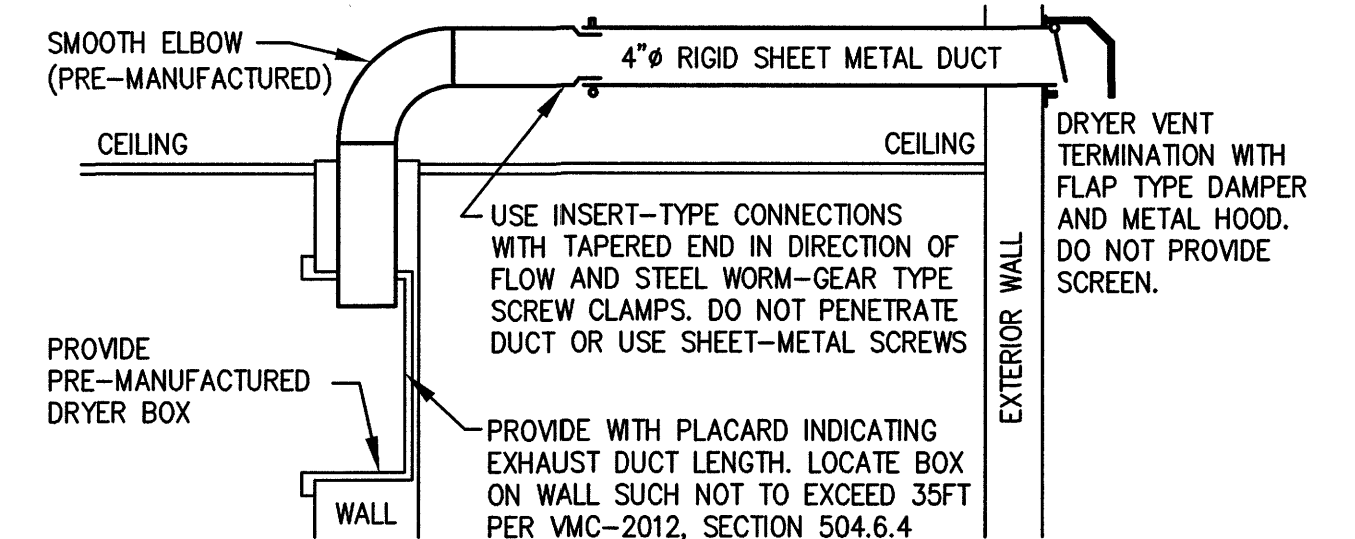
CEILING EXHAUST/RETURN AIR GRILLE
NOT TO SCALE



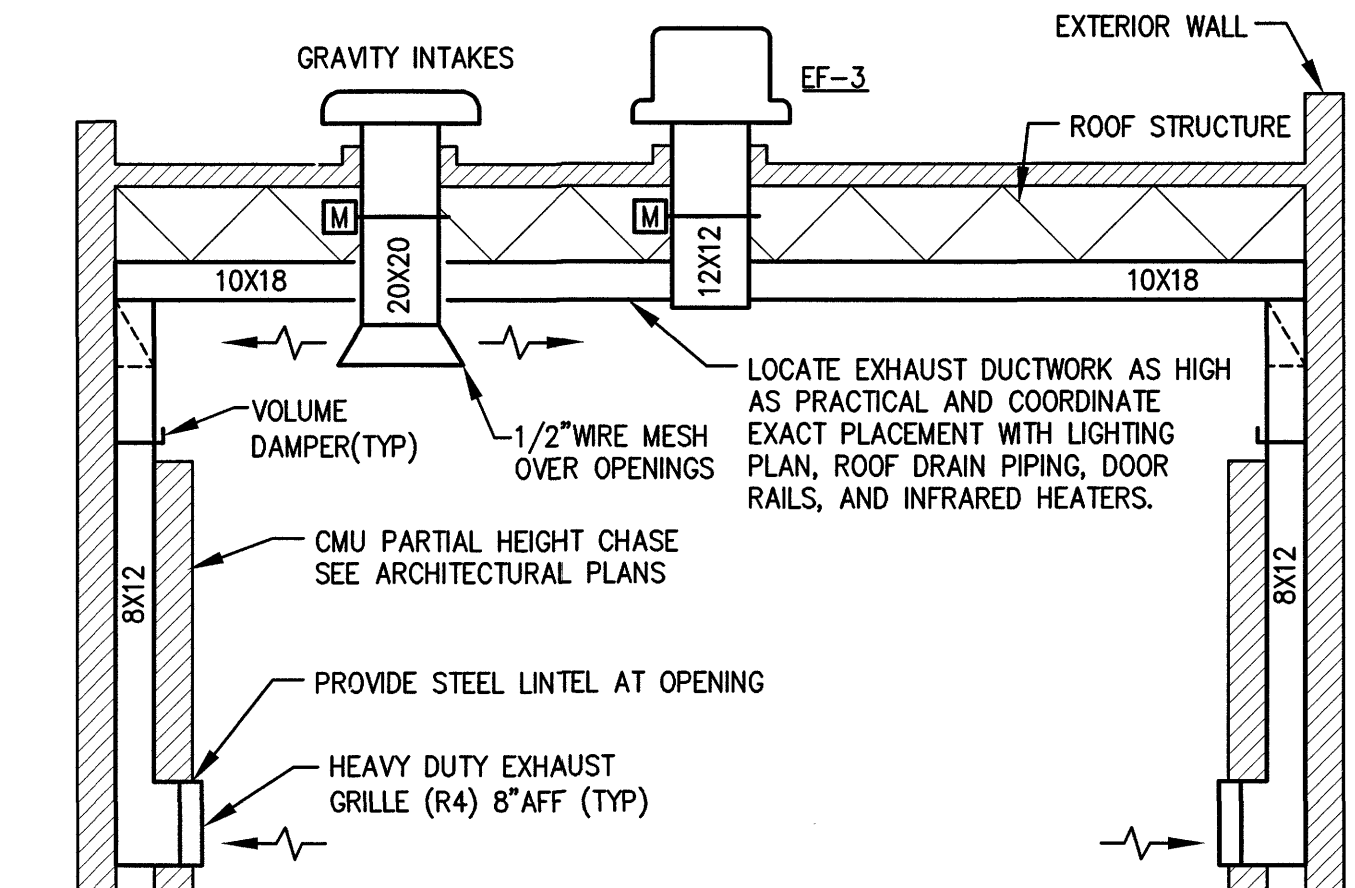
CEILING SUPPLY AIR DIFFUSER
NOT TO SCALE



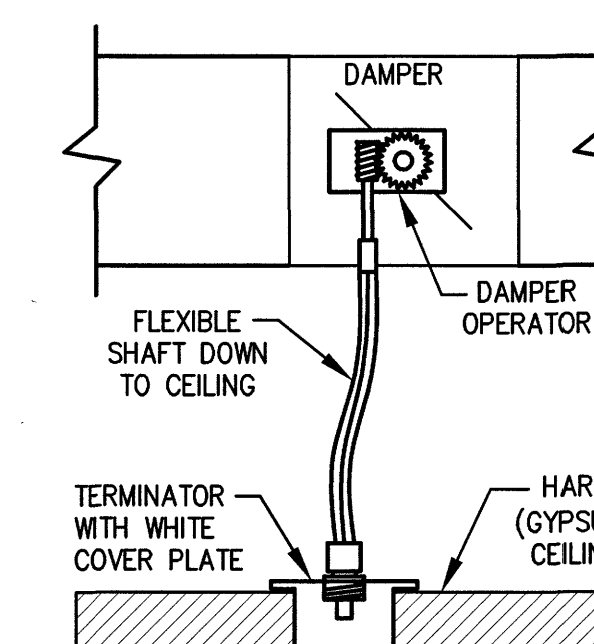
RECESSED FANCOILS AND HEATERS
NOT TO SCALE



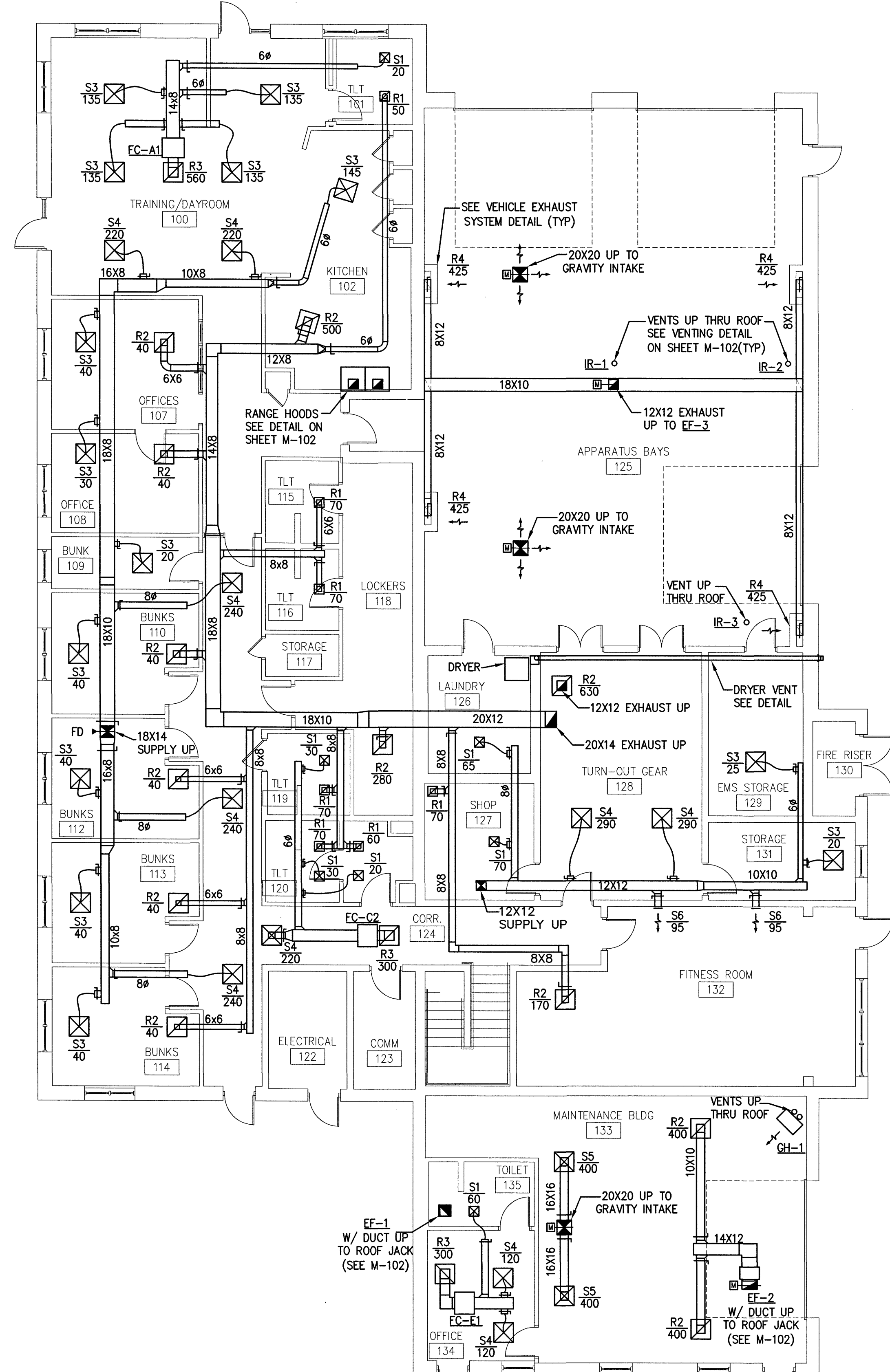
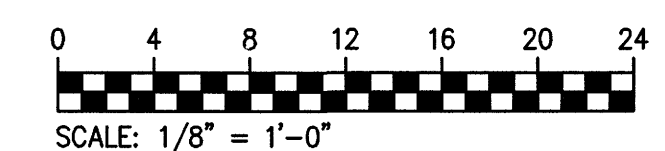
DRYER EXHAUST SYSTEM
NOT TO SCALE



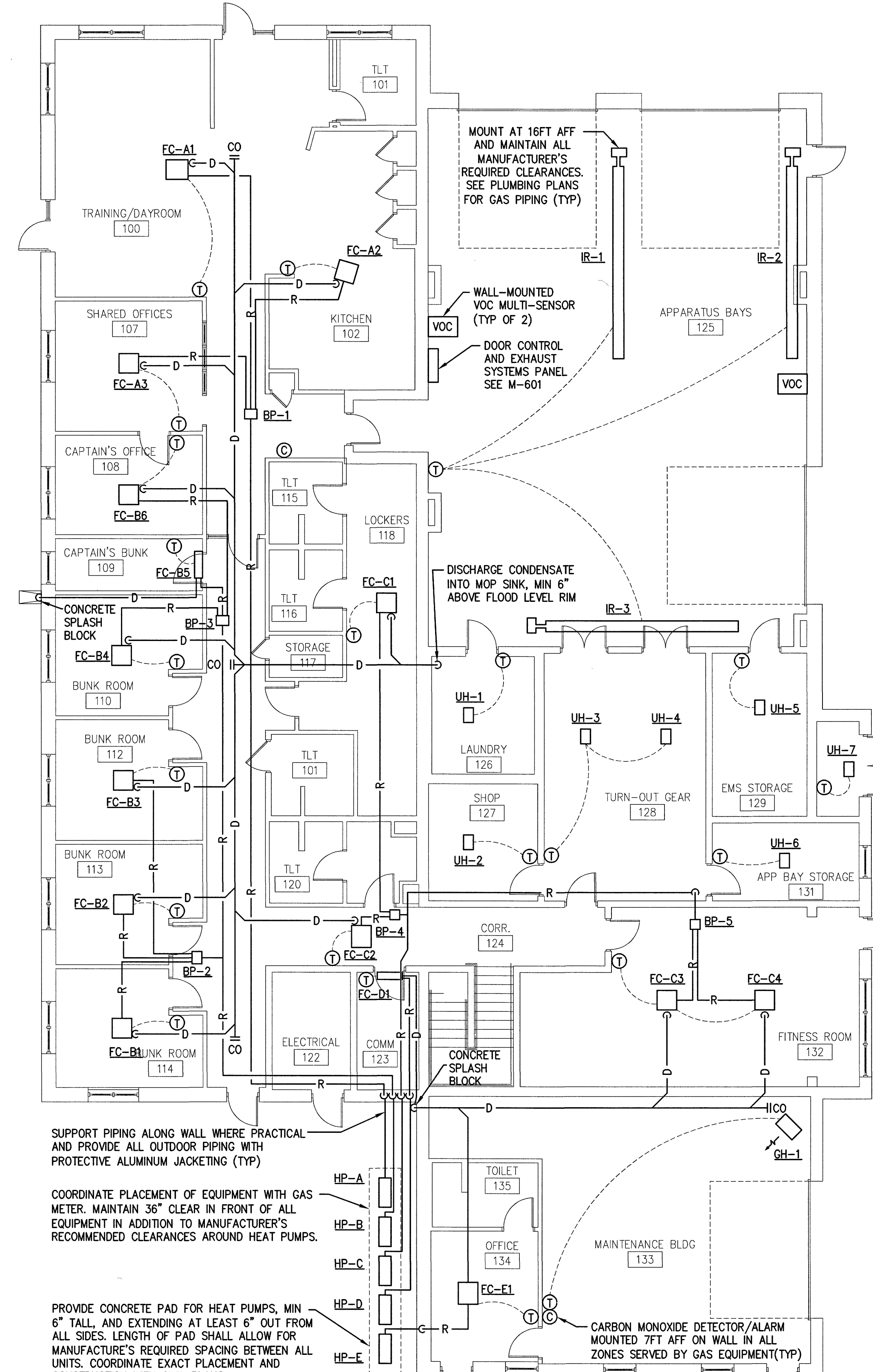
VEHICLE EXHAUST SYSTEM
NOT TO SCALE



REMOTE DAMPER OPERATOR
NOT TO SCALE



FIRST FLOOR AIR DEVICES AND DUCTWORK PLAN
SCALE: 1/8" = 1'-0"

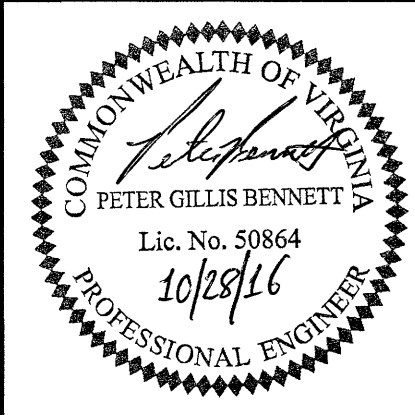


FIRST FLOOR EQUIPMENT AND PIPING PLAN
SCALE: 1/8" = 1'-0"



**ENGINEERS
ARCHITECTS
PLANNERS**

449 McLaws Circle
Williamsburg, VA 23185
(757) 253-0673 VOICE
(757) 253-2319 FAX
www.djginc.com



COUNTY OF ALBEMARLE

**PANTOPS
PUBLIC SAFETY
FACILITY**

IFB # 2017-11223-20

CHARLOTTEVILLE,
VIRGINIA

REVISIONS

NO.	DATE	DESCRIPTION

COMMISSION NUMBER	2160310
SCALE:	1/8" = 1'-0"
DESIGNED:	ASH
DRAWN:	ASH
CHECKED:	PGB
DATE:	10.28.2016

THIS DOCUMENT CONTAINS INFORMATION PROPRIETARY TO DJG, INC. AND IS FURNISHED IN CONFIDENCE AS AN INSTRUMENT OF SERVICE FOR THE LIMITED PURPOSE OF EVALUATION, BIDDING AND REVIEW, OR CONSTRUCTION OF A SPECIFIC PROJECT. REPRODUCTION OF THIS DOCUMENT, IN WHOLE OR IN PART, OR THE MODIFICATION OF ANY DETAIL OR DESIGN WITHOUT THE EXPRESS WRITTEN CONSENT OF DJG, INC. IS PROHIBITED. ALL RIGHTS RESERVED. COPYRIGHT DJG, INC. 10/2016.

SHEET TITLE
**MECHANICAL
PLANS**

SHEET NUMBER
M-101

54 OF 68

