

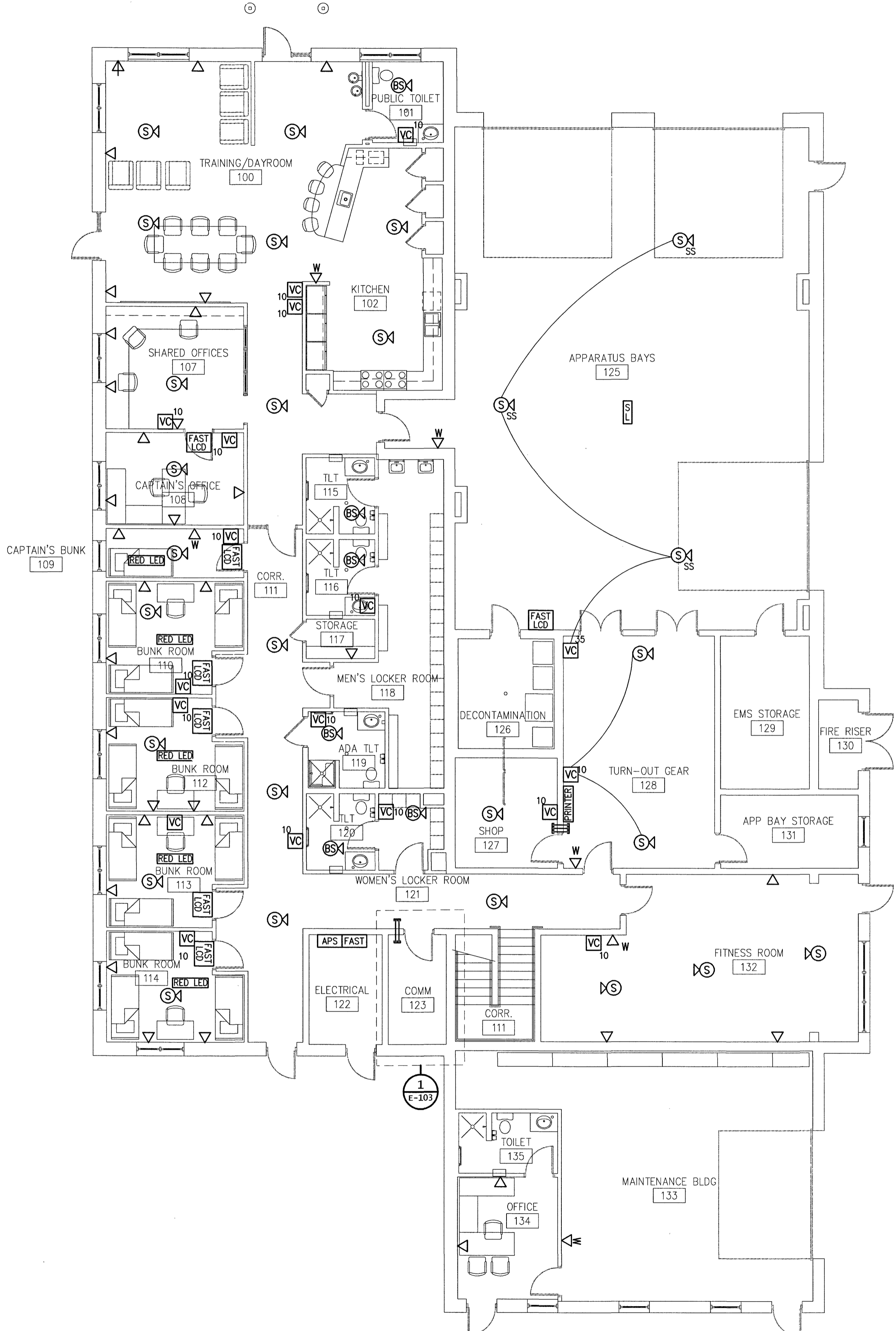
ELECTRICAL NEW WORK NOTES

(THIS SHEET ONLY)

- 1 CALL ALERTING SYSTEM COMPONENTS ARE OFCI. CONTRACTOR SHALL PROVIDE ROUGH IN AND CABLES AND WRING. CONTRACTOR SHALL COORDINATE WITH COUNTY'S CALL ALERTING SYSTEM PROVIDER PRIOR TO START OF WORK.
- 2 #16 AWG, 2 CONDUCTOR STRANDED, UNSHIELDED CM/CL2 TYPE CABLE, HONEYWELL GENESIS SERIES 1125 OR APPROVED EQUAL.
- 3 RG6 QUAD SHIELD #18 AWG COPPER-CLAD STEEL CENTER CONDUCTOR WITH PVC JACKET, HONEYWELL GENESIS SERIES 5007 OR APPROVED EQUAL.
- 4 #16 AWG, 4 CONDUCTOR STRANDED, UNSHIELDED CM/CL2 TYPE CABLE, HONEYWELL GENESIS SERIES 1126 OR APPROVED EQUAL.
- 5 #18 AWG, 6 CONDUCTOR STRANDED, UNSHIELDED CM/CL2 TYPE CABLE, HONEYWELL GENESIS SERIES 1120 OR APPROVED EQUAL.

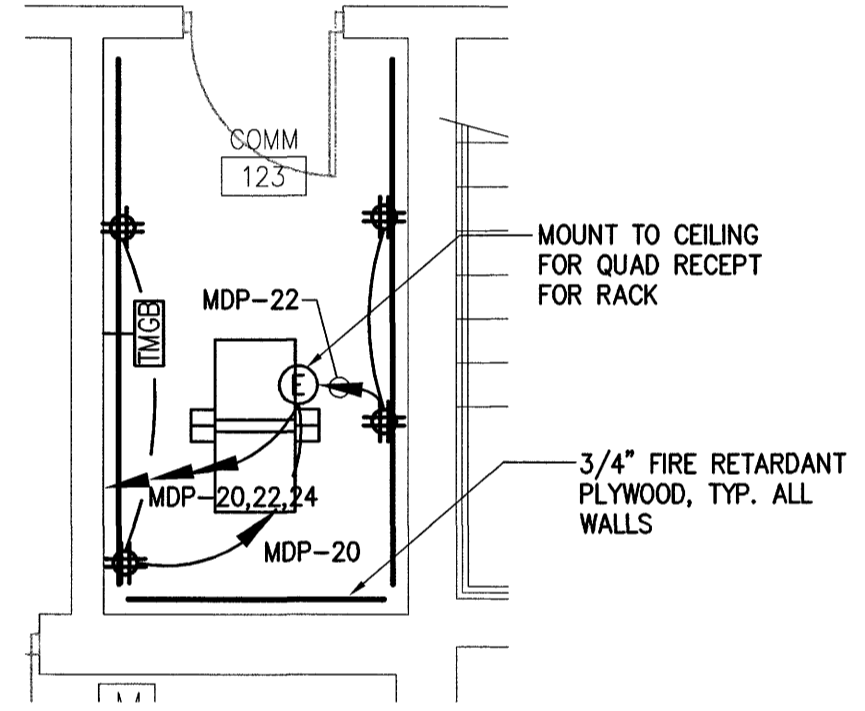
CALL ALERTING SYSTEM LEGEND

- CALL ALERTING SYSTEM CEILING MOUNTED 8", 70V SPEAKER
- CALL ALERTING SYSTEM CEILING MOUNTED MBTSL METAL SPEAKER
- CALL ALERTING SYSTEM SURFACE CEILING MOUNTED SM4T SPEAKER
- CALL ALERTING SYSTEM SURFACE CEILING MOUNTED SOUNDSPHERE SPEAKER
- CALL ALERTING SYSTEM WALL MOUNTED SPEAKER IN WEATHERPROOF ENCLOSURE
- CALL ALERTING SYSTEM CEILING MOUNTED RED STROBE LIGHT
- CALL ALERTING SYSTEM RESET BUTTON
- CALL ALERTING SYSTEM STOVE RESET BUTTON
- CALL ALERTING SYSTEM CEILING MOUNTED STACK LIGHT
- CALL ALERTING SYSTEM CONTROLLER
- CALL ALERTING SYSTEM FAST SERVER
- CALL ALERTING SYSTEM LCD DISPLAY PANEL MOUNT 80" AFF, UON
- CALL ALERTING SYSTEM LED DISPLAY PANEL MOUNT 88" AFF, UON
- CALL ALERTING SYSTEM GAS SHUT OFF
- VOLUME CONTROL 10 WATT
- VOLUME CONTROL 35 WATT



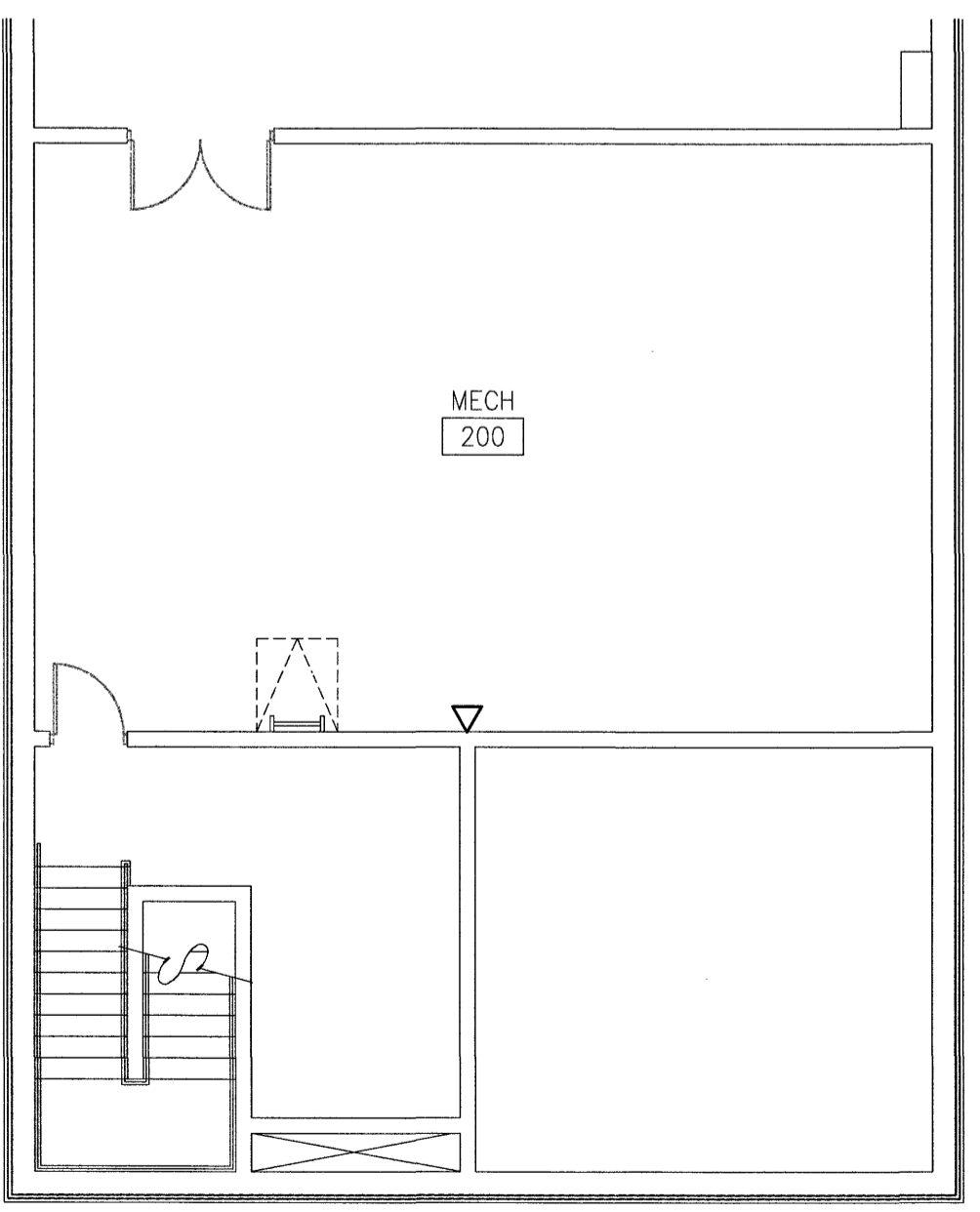
ELECTRICAL SIGNAL PLAN - GROUND FLOOR

SCALE: 1/8" = 1'-0"



ELECTRICAL SIGNAL PLAN - COMM ROOM

SCALE: 1/4" = 1'-0"



ELECTRICAL SIGNAL PLAN - MEZZANINE

SCALE: 1/8" = 1'-0"



ENGINEERS
ARCHITECTS
PLANNERS

449 McLAWS CIRCLE
WILLIAMSBURG, VA 23185
(757) 253-0673 VOICE
(757) 253-2319 FAX
www.djginc.com



COUNTY OF ALBEMARLE

PANTOPS
PUBLIC SAFETY
FACILITY

IFB # 2017-11223-20

CHARLOTTESVILLE,
VIRGINIA

REVISIONS

| NO. | DATE | DESCRIPTION |
|-----|------|-------------|
| | | |
| | | |
| | | |
| | | |
| | | |
| | | |
| | | |
| | | |
| | | |
| | | |

| | |
|-------------------|-------------|
| DATE | DESCRIPTION |
| COMMISSION NUMBER | |
| 2160310 | |
| SCALE: | AS NOTED |
| DESIGNED: | DEL |
| DRAWN: | DEL |
| CHECKED: | JAM |
| DATE: | 10.28.2016 |

THIS DOCUMENT CONTAINS INFORMATION PROPRIETARY TO DJG, INC. AND IS FURNISHED IN CONFIDENCE AS AN INSTRUMENT OF SERVICE FOR THE LIMITED PURPOSE OF EVALUATION, BIDDING AND REVIEW OR CONSTRUCTION OF A SPECIFIC PROJECT. REPRODUCTION OF THIS DOCUMENT, IN WHOLE OR IN PART, OR THE MODIFICATION OF ANY DETAIL OR DESIGN WITHOUT THE EXPRESSED WRITTEN CONSENT OF DJG, INC. IS PROHIBITED. ALL RIGHTS RESERVED. COPYRIGHT DJG, INC. (C) 2016.

SHEET TITLE

ELECTRICAL
SIGNAL PLAN

SHEET NUMBER

E-103

60 OF 68