



ENGINEERS
ARCHITECTS
PLANNERS

449 McLAWS CIRCLE
WILLIAMSBURG, VA 23185
(757) 253-0673 VOIC E
(757) 253-2319 FAX
www.djginc.com



COUNTY OF ALBEMARLE

PANTOPS
PUBLIC SAFETY
FACILITY

IFB # 2017-11223-20

CHARLOTTESVILLE,
VIRGINIA

REVISIONS

NO.	DATE	DESCRIPTION

COMMISSION NUMBER	2160310
SCALE:	AS NOTED
DESIGNED:	DEL
DRAWN:	DEL
CHECKED:	JAM
DATE:	10.28.2016

THIS DOCUMENT CONTAINS INFORMATION PROPRIETARY TO DJG, INC. AND IS FURNISHED IN CONFIDENCE AS AN INSTRUMENT OF SERVICE FOR THE LIMITED PURPOSE OF EVALUATION, DESIGN AND REVIEW OR CONSTRUCTION OF A SPECIFIC PROJECT. REPRODUCTION OF THIS DOCUMENT, IN WHOLE OR IN PART, OR THE MODIFICATION OF ANY DETAIL OR DESIGN WITHOUT THE EXPRESSED WRITTEN CONSENT OF DJG, INC. IS PROHIBITED. ALL RIGHTS RESERVED. COPYRIGHT DJG, INC. (C) 2016.

SHEET TITLE
ELECTRICAL LIGHTING PLAN

SHEET NUMBER
E-101

SCALE: 1/8" = 1'-0"
9 4 8 12 16 20 24
SCALE: 1/8" = 1'-0"
58 OF 68

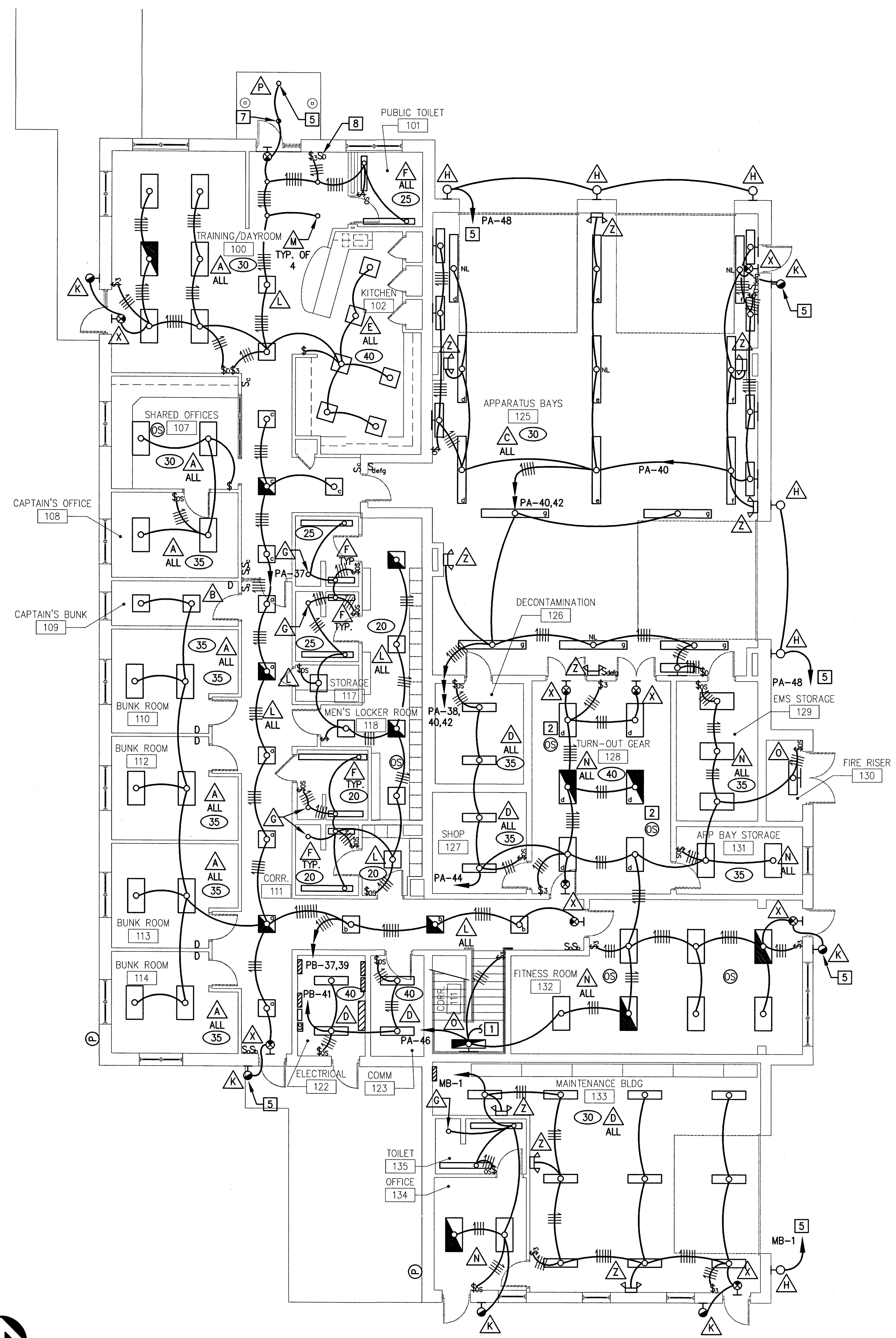
NEW WORK NOTES

- CONNECT FIRST FLOOR FIXTURES TO FIXTURES ON MEZZANINE.
- SET OCCUPANCY SENSORS TO TIME DELAY IN ROOM TO A MINIMUM OF 30 MINUTES.
- TO FAN (CONTROLLED BY OCCUPANCY SENSOR)
- DOWNLIGHTS SHALL BE CONTROLLED BY LIGHTING CONTACTOR.
- CONNECT THRU LIGHTING CONTACTOR, SEE E-501.
- COORDINATE FIXTURE LAYOUT WITH DUCT WORK.
- CONNECT THRU LIGHTING CONTACTOR, SEE E-501. PROVIDE NORMAL POWER TO EMERGENCY BATTERY PACK AHEAD OF CONTACTOR SWITCHING.
- FOR EXTERIOR FLAG POLE LIGHTING, SEE SITE LIGHTING PLAN AND SCHEDULE ON SHEET ES-101 AND CONTACTOR DETAIL ON SHEET E-501 FOR WIRING INFORMATION.

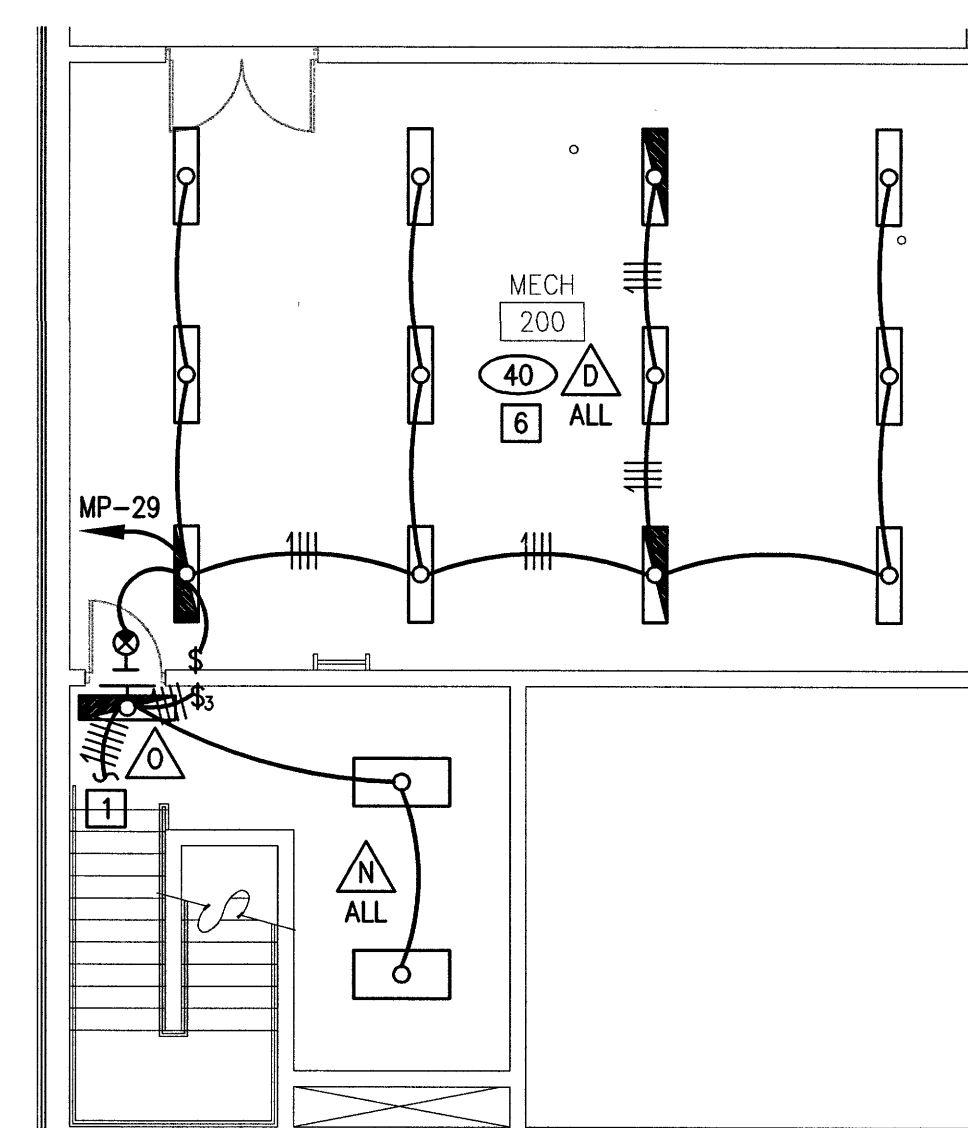
LIGHTING FIXTURE SCHEDULE

MARK	MANUFACTURER	CATALOG NO.	VOLTS	LAMPS	MOUNTING	NOTES
A	CREE	CR24-40L-40K-10V	120	LED 4000 LUMENS	RECESSED CEILING	--
B	CREE	CR22-32L-40K-10V	120	LED 3200 LUMENS	RECESSED CEILING	--
C	CREE	LS8-100L-40K-10V	120	LED 10000 LUMENS	PENDANT MOUNT 16'-0" AFF	1
D	CREE	WS4-47L-40K-FD-SSL	120	LED 4700 LUMENS	SURFACE CEILING	2
E	CREE	ZR22-32L-40K-10V	120	LED 3200 LUMENS	RECESSED CEILING	3
F	CORONET	LSR4 RG LED-XFT-LTG1-4000K-120-F	120	LED 750 LUMENS/FT	RECESSED CEILING	--
G	ELITE	B6IC-LED-650L-MD-40K-85-AT-L652	120	LED 650 LUMENS	RECESSED CEILING	4
H	CREE	SEC-EDG-3M-08-E-UL-BZ-525-40K	120	LED 12000 LUMENS	WALL MOUNT 10'-6" AFF	--
I	CREE	LS4-50L-40K-10V	120	LED 5000 LUMENS	WALL MOUNT 8'-0" AFF	--
J	DECO	D443-LED-20-40-120-BE-PC-EMB	120	LED 4000 LUMENS	WALL MOUNT 6" ABOVE DOOR HEAD	5
K	CREE	LR22-34L-40K	120	LED 3400 LUMENS	RECESSED CEILING	2
L	CREE	KR6-20L-40K-120V-KR6T-SSGC-FF	120	LED 700 LUMENS	RECESSED CEILING	2
M	CREE	ZR24-40L-40K-10V	120	LED 4000 LUMENS	RECESSED CEILING	2
N	CREE	S-WR4-40L-40L-40K-10V	120	LED 4000 LUMENS	WALL MOUNT ABOVE DOOR	2
O	MAXILUME	HH6-LED-1200L-120V-WD-85-HH6-6501-CL-SGH	120	LED 1200 LUMENS	RECESSED CEILING	6
P	MOBERN	MEBX-LED-R-W-B-SD	120	LED	WALL MOUNT ABOVE DOOR OR CEILING MOUNT AS INDICATED	2
Q	MOBERN	MEBEMS2-SD-12LED	120	LED 2-HEADS	WALL MOUNT 7'-6" AFF	2

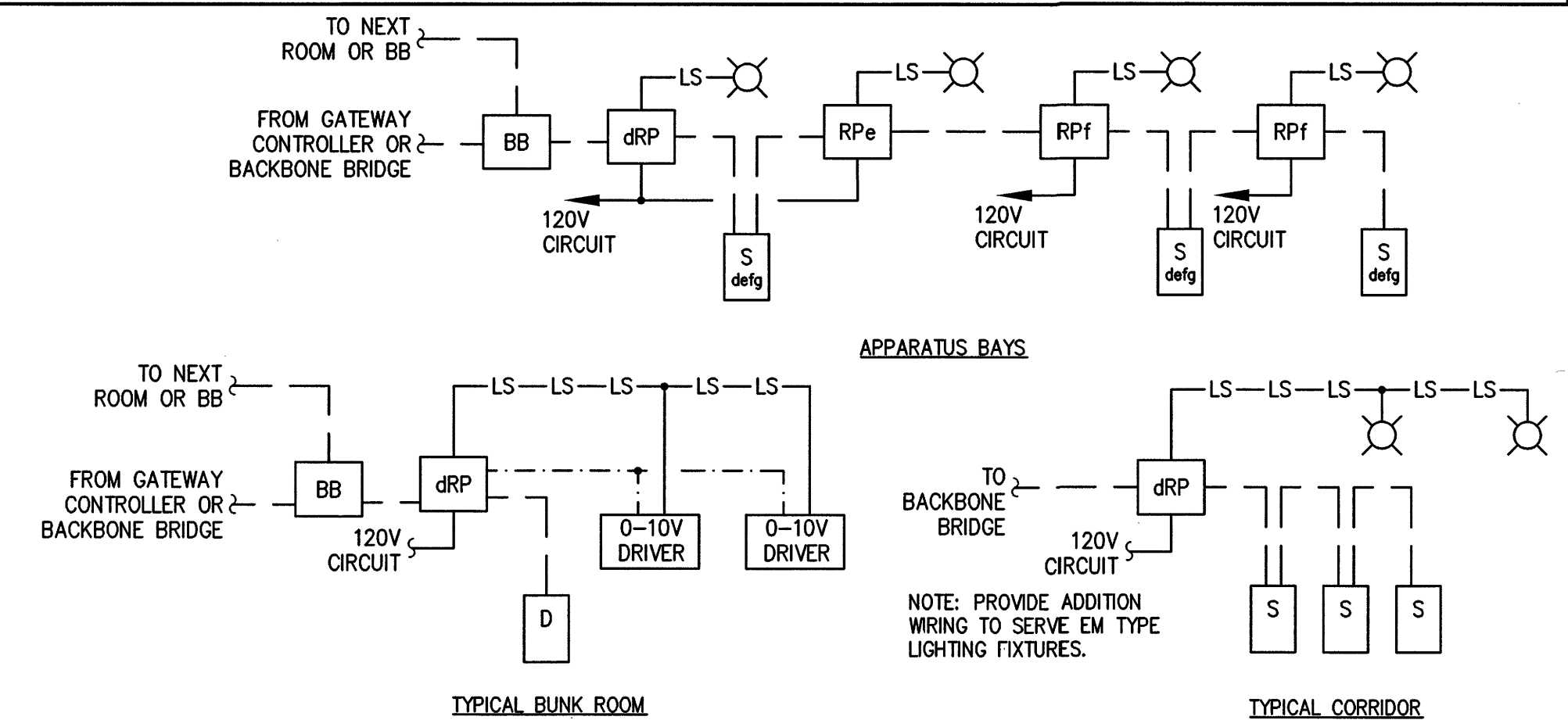
- LIGHTING FIXTURE SCHEDULE NOTES:
- PROVIDE FIXTURE WITH ADJUSTABLE CABLE SUPPORTS. COORDINATE EXACT MOUNTING HEIGHT IN FIELD WITH OTHER TRADES.
 - PROVIDE FIXTURE WITH EMERGENCY BATTERY BACKUP WHERE INDICATED. CONNECT BATTERY AHEAD OF LOCAL SWITCHING.
 - PROVIDE LENGTHS AS SHOWN ON DRAWINGS.
 - PROVIDE WET LABELED SHOWER LIGHT.
 - PROVIDE COLD WEATHER EMERGENCY BATTERY PACK.
 - PROVIDE FIXTURE WITH COLD WEATHER EMERGENCY BATTERY BACKUP WHERE INDICATED. CONNECT BATTERY AHEAD OF LOCAL SWITCHING.



ELECTRICAL LIGHTING PLAN - GROUND FLOOR
SCALE: 1/8" = 1'-0"



ELECTRICAL LIGHTING PLAN - MEZZANINE
SCALE: 1/8" = 1'-0"



LIGHTING CONTROL SYSTEM TYPICAL WIRING DIAGRAMS

NOT TO SCALE
BASIS OF DESIGN - SENSOR SWITCH "nLIGHT", HUBBELL "NX", LEVITON "SECTORFLEX" OR EQUIVALENT

LIGHTING CONTROL SYSTEM LEGEND

- 120V WIRING, 2#12 AND 1#12 GND IN 1/2" CONDUIT, UON
- CATEGORY 5e CABLE IN 1/2" CONDUIT OR CABLE RUN OPEN ABOVE ACCESSIBLE CEILING
- 0-10V CONTROL WIRING, 2#14 IN 1/2" CONDUIT OR CABLE RUN OPEN ABOVE ACCESSIBLE CEILING
- 120V LINE OUT SWITCH WIRING, 2#12 AND 1#12 GND IN 1/2" CONDUIT, UON
- 120V EM WIRING, 2#12 AND 1#12 GND IN 1/2" CONDUIT
- NON-DIMMING LIGHTING LOAD
- 8-PORT BACKBONE BRIDGE. BRIDGE SHALL SERVE 6 SPACES, MOUNT IN AN ACCESSIBLE LOCATION
- 0-10V DRIVER
- DIMMING DRIVER FOR LIGHTING LOAD
- D LOW VOLTAGE DIMMING CONTROL SWITCH
- S LOW VOLTAGE ON-OFF CONTROL SWITCH
- RP RELAY PACK, MOUNT IN ACCESSIBLE SPACE ABOVE CEILING IN ROOM, UON
- DRP DIMMING RELAY PACK, MOUNT IN AN ACCESSIBLE SPACE ABOVE CEILING IN ROOM

LIGHTING CONTROL SYSTEM NOTES

- WIRING CONTROL SYSTEM DIAGRAM ILLUSTRATES TYPICAL WIRING BETWEEN SYSTEM DEVICES. CONTRACTOR SHALL INSTALL SYSTEM DEVICES AS REQUIRED PER MANUFACTURER AND PROVIDE ADDITIONAL DEVICES AS REQUIRED.
- MOUNT LIGHTING CONTROL SYSTEM RELAY PACKS, DIMMING RELAY PACKS, AND BACKBONE BRIDGES IN ACCESSIBLE SPACE ABOVE CEILING. THESE DEVICES SHALL NOT BE LOCATED ABOVE HARD CEILINGS.
- EACH SPACE CONTROLLED BY LIGHTING CONTROL SYSTEM SHALL HAVE A DEDICATED CAT5e CABLE ROUTED TO BACKBONE BRIDGE.
- PROVIDE 3/4" CONDUIT WITH CAT5e CABLE FROM DEVICE BOX UP TO ACCESSIBLE SPACE ABOVE CEILING AND TERMINATE WITH PLASTIC BUSHING. CAT5e CABLE SHALL ONLY BE RUN OPEN ABOVE ACCESSIBLE CEILINGS AND BE SUPPORTED WITH OPEN SUPPORTS NOT MORE THAN 60" ON CENTER.