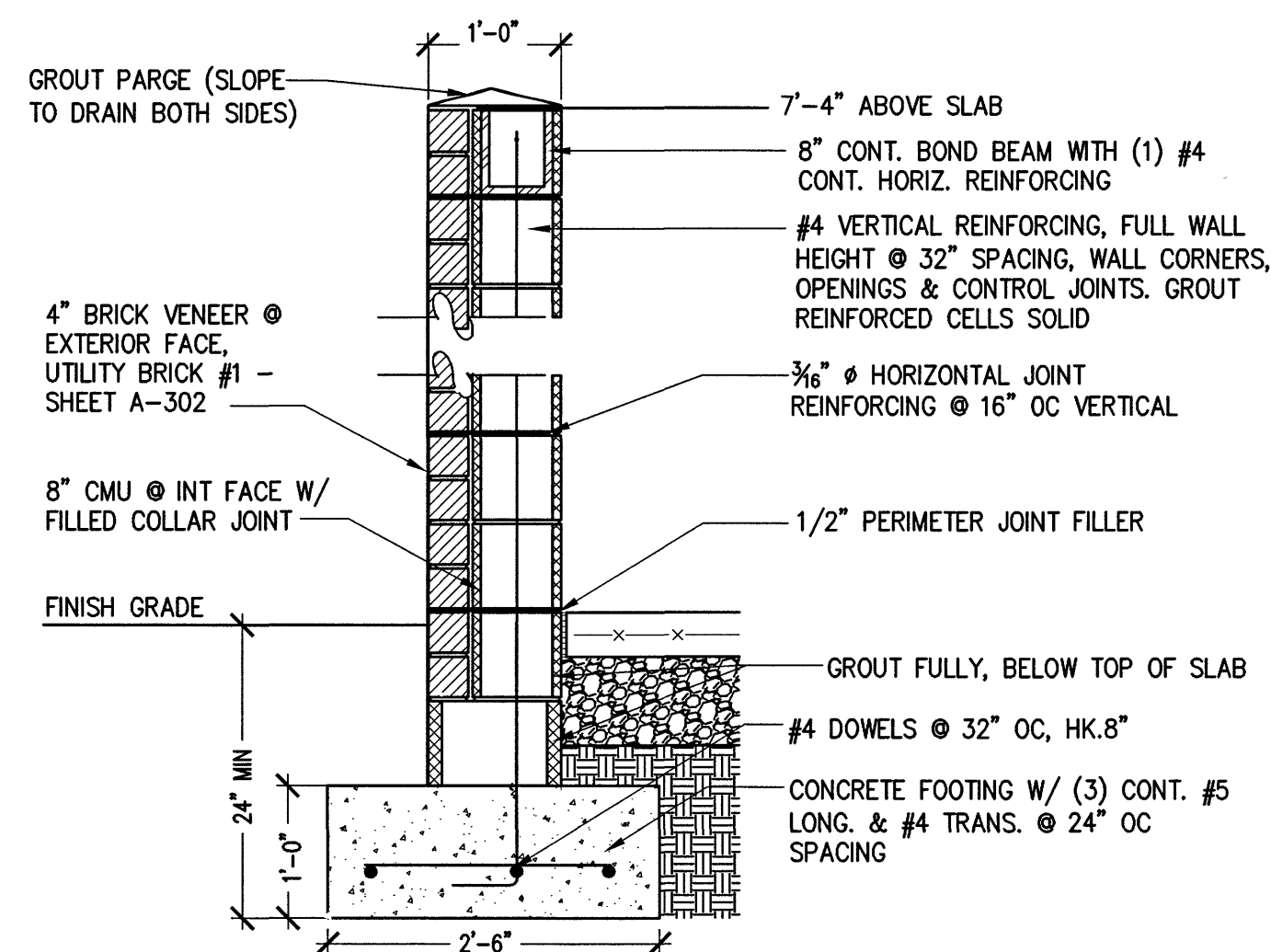
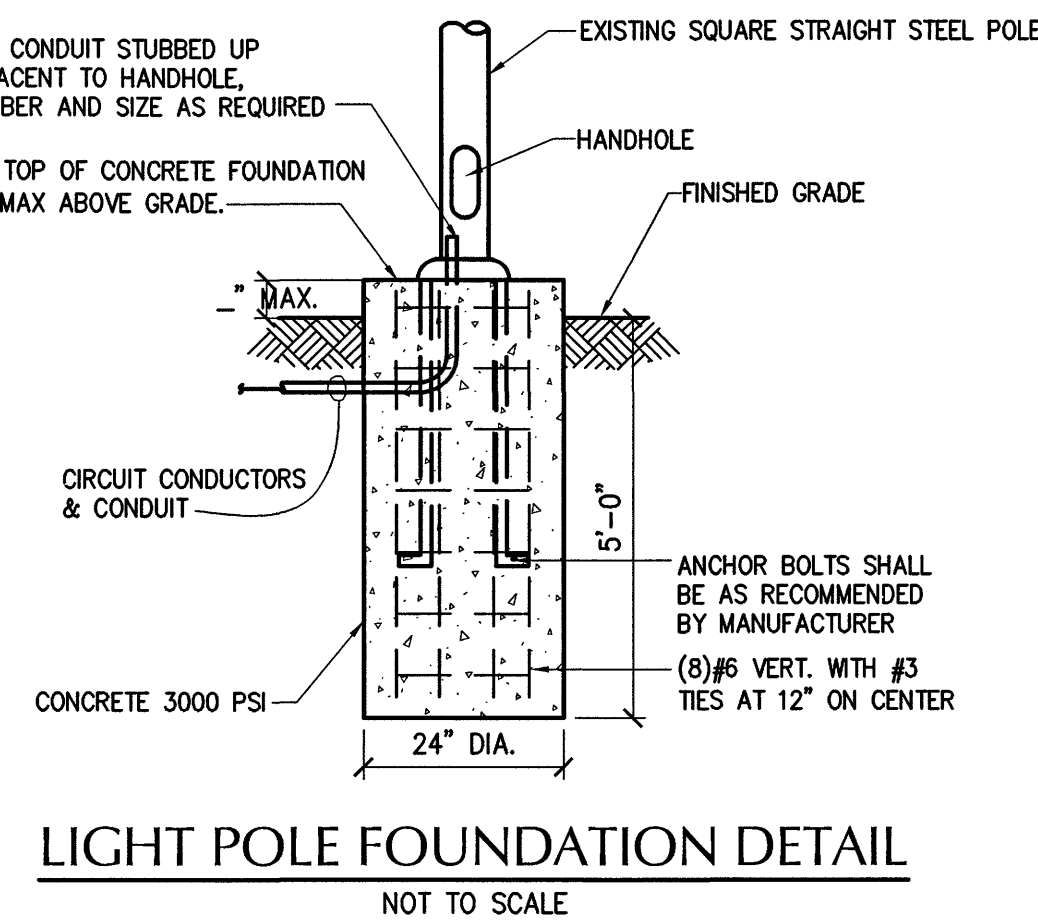


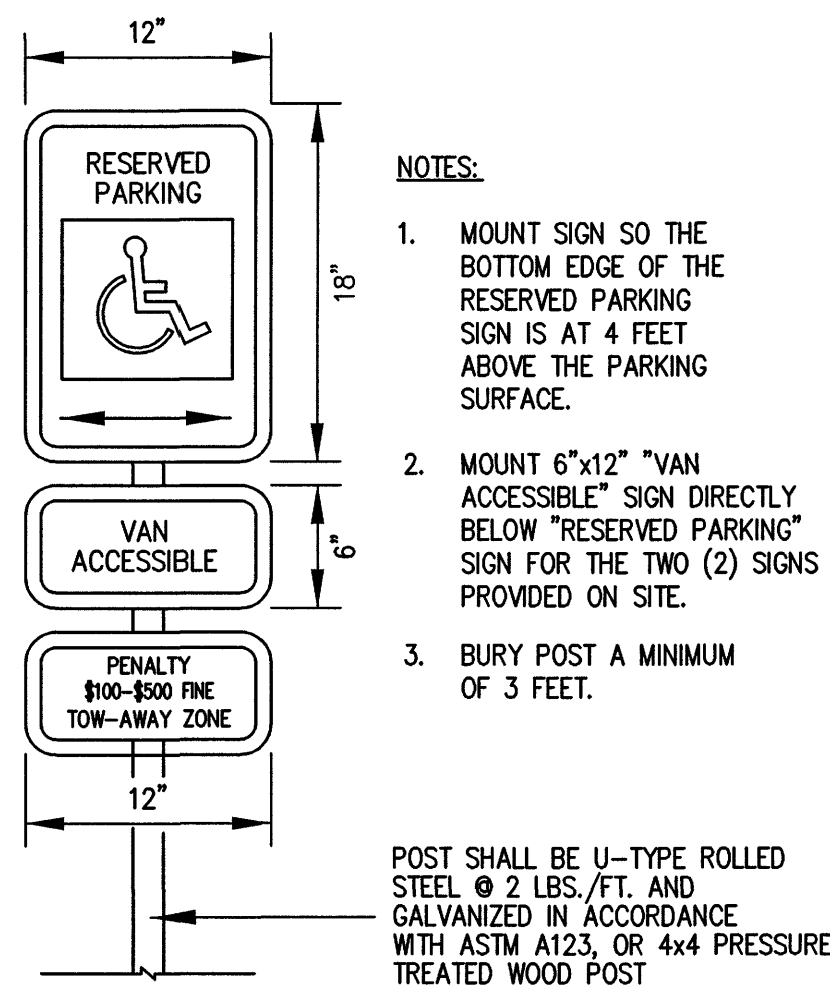
FUEL TANK/DUMPSTER ENCLOSURE PLAN
NOT TO SCALE



ENCLOSURE WALL SECTION
SCALE: 3/4"=1'-0"



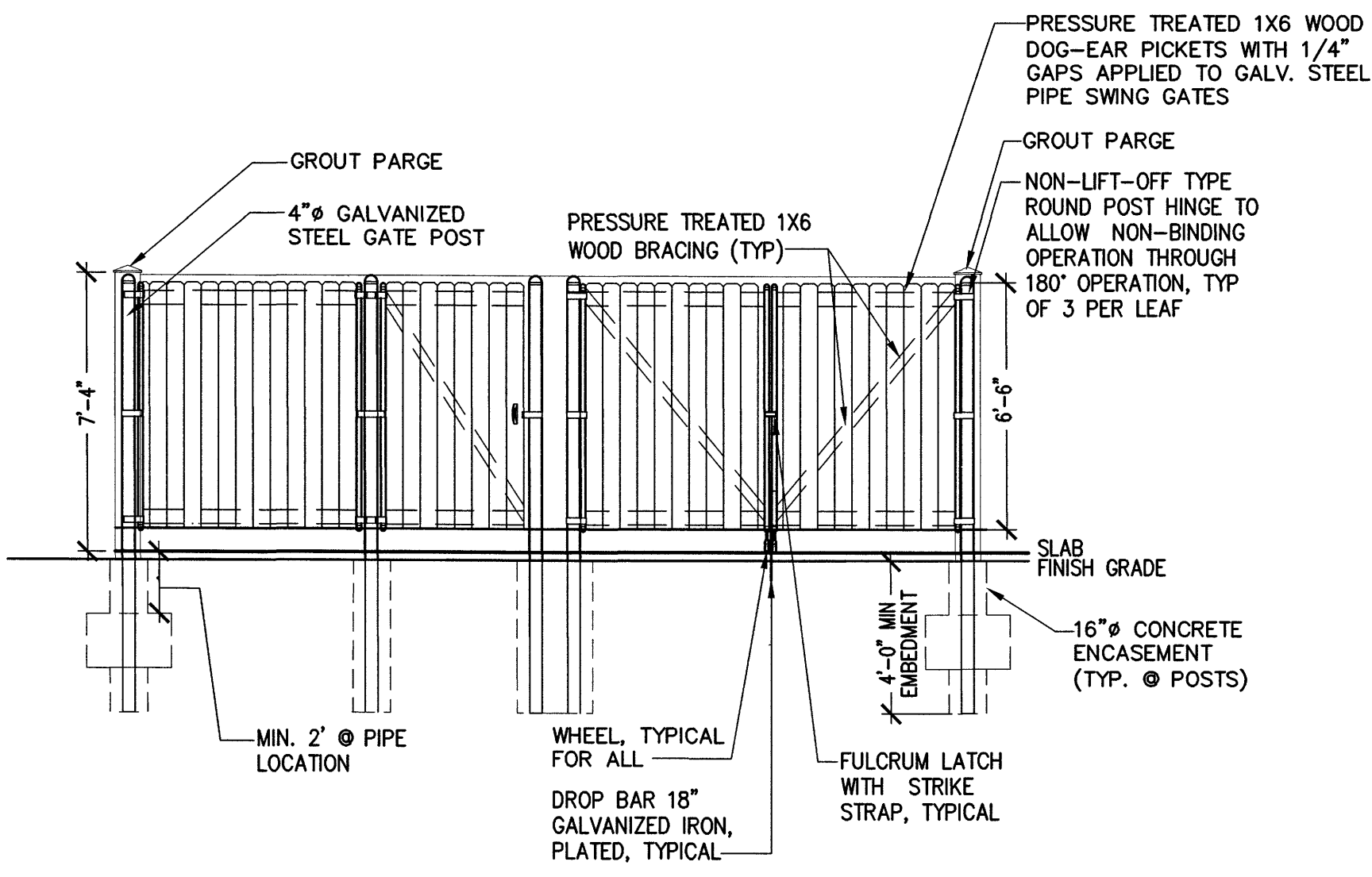
LIGHT POLE FOUNDATION DETAIL
NOT TO SCALE



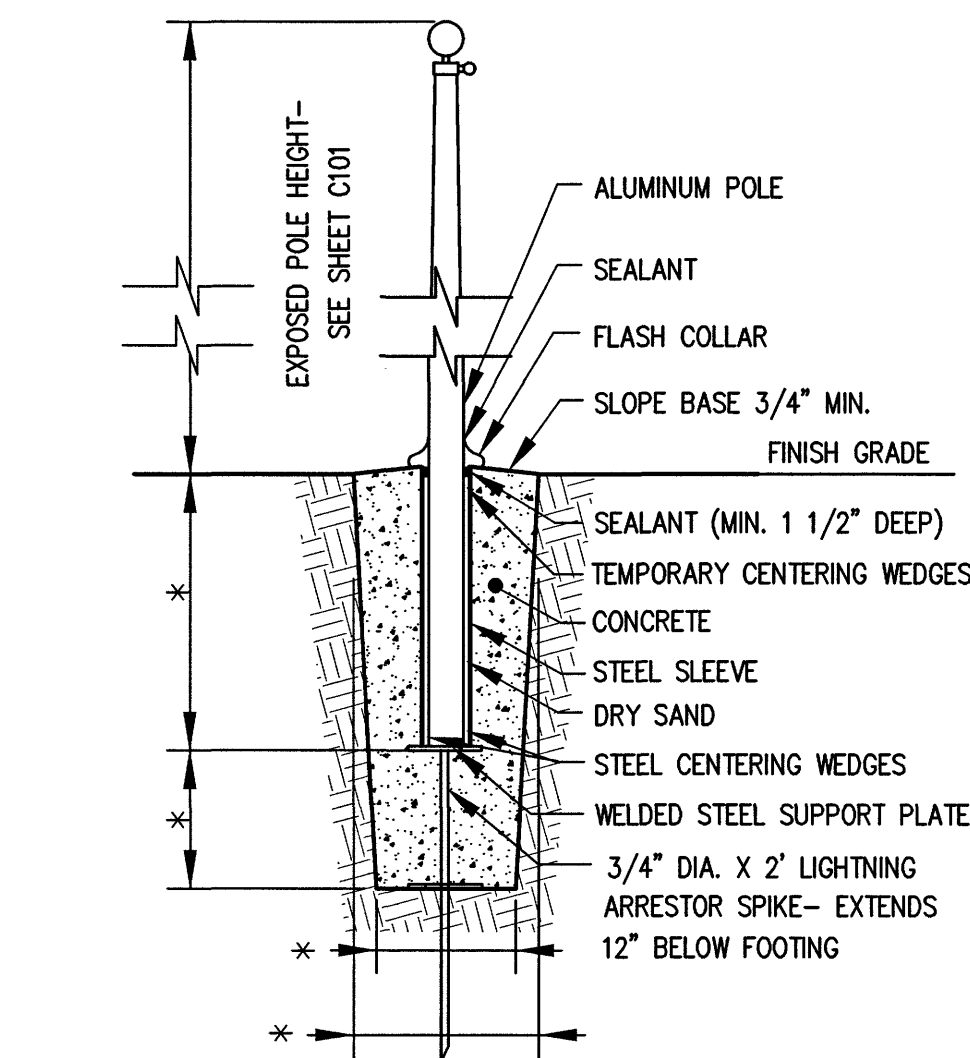
HANDICAPPED PARKING SIGN
R 7-8 12"x18" (PER MUTCD)
NOT TO SCALE

- NOTES:**
1. MOUNT SIGN SO THE BOTTOM EDGE OF THE RESERVED PARKING SIGN IS AT 4 FEET ABOVE THE PARKING SURFACE.
 2. MOUNT 6"x12" "VAN ACCESSIBLE" SIGN DIRECTLY BELOW "RESERVED PARKING" SIGN FOR THE TWO (2) SIGNS PROVIDED ON SITE.
 3. BURY POST A MINIMUM OF 3 FEET.

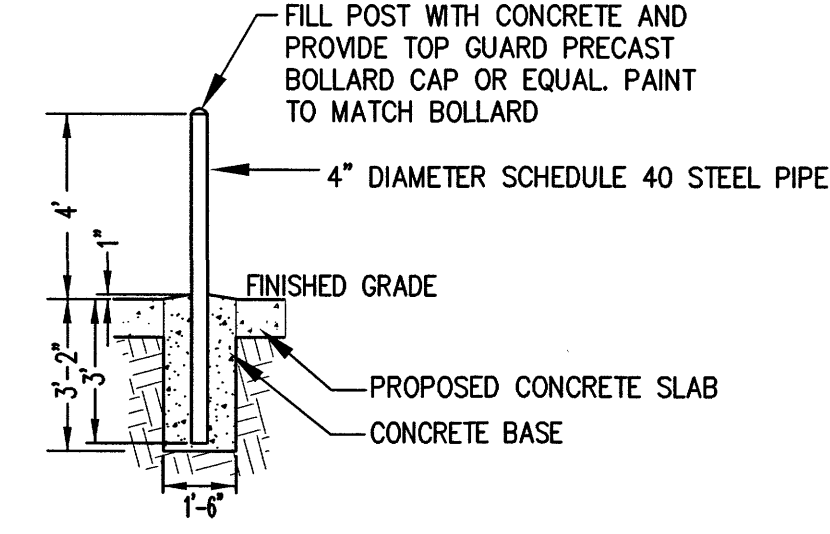
POST SHALL BE U-TYPE ROLLED STEEL @ 2 LBS./FT. AND GALVANIZED IN ACCORDANCE WITH ASTM A123, OR 4x4 PRESSURE TREATED WOOD POST



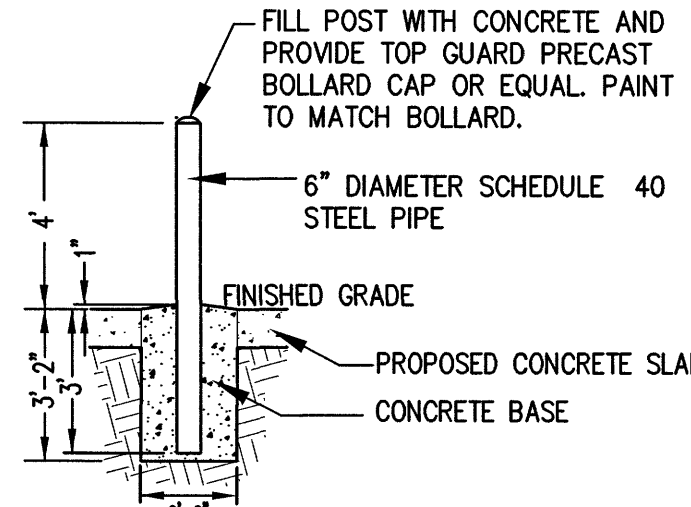
FUEL TANK/DUMPSTER ENCLOSURE- FRONT ELEVATION
NOT TO SCALE



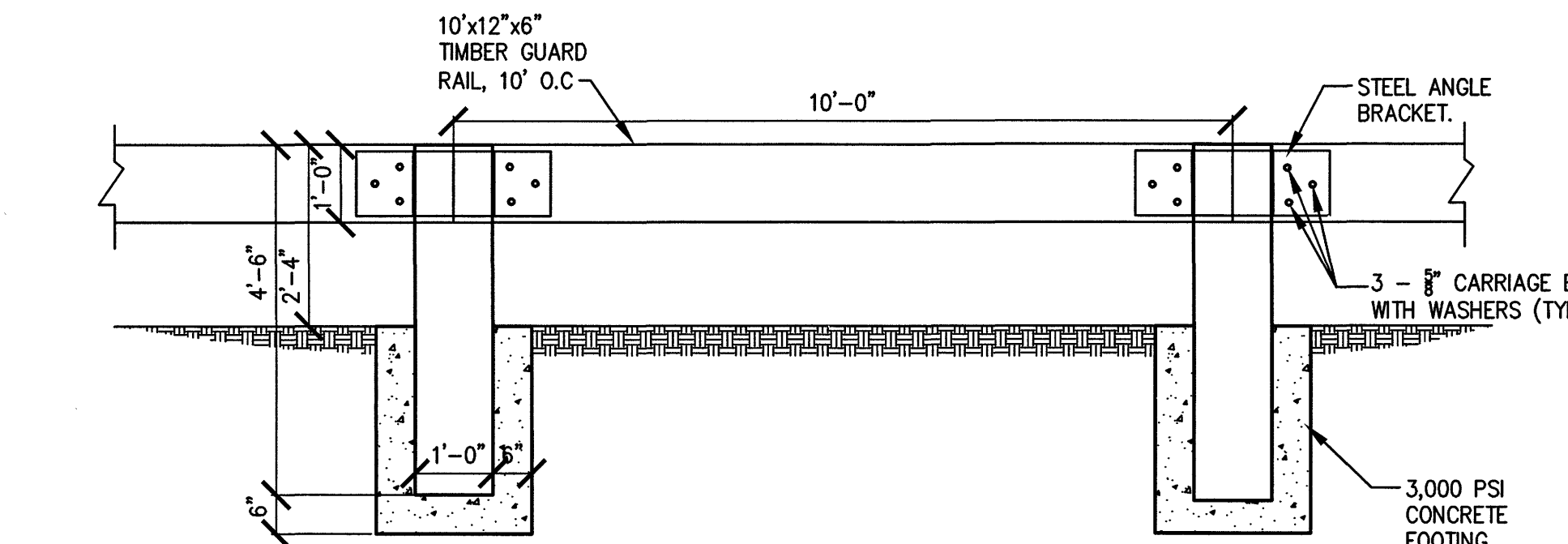
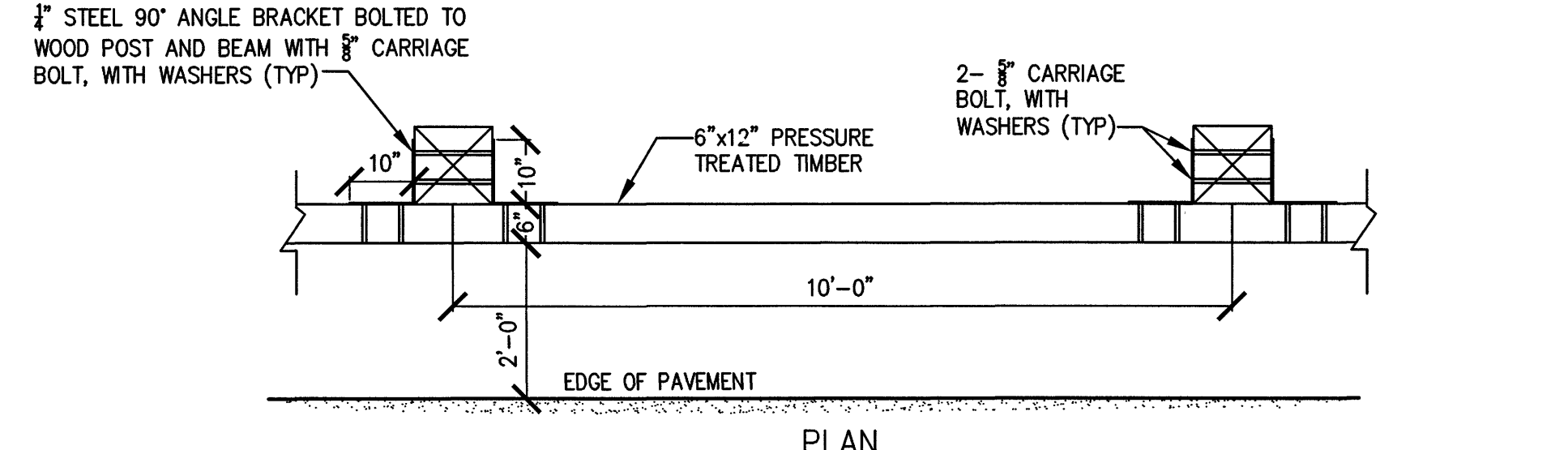
FLAG POLE DETAIL
NOT TO SCALE



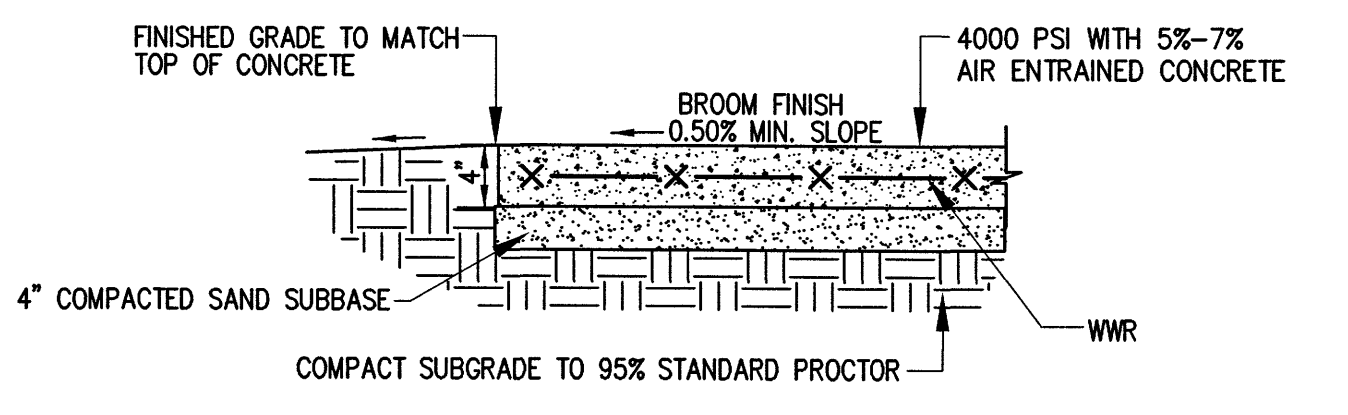
4" BOLLARD AT HYDRANT
NOT TO SCALE



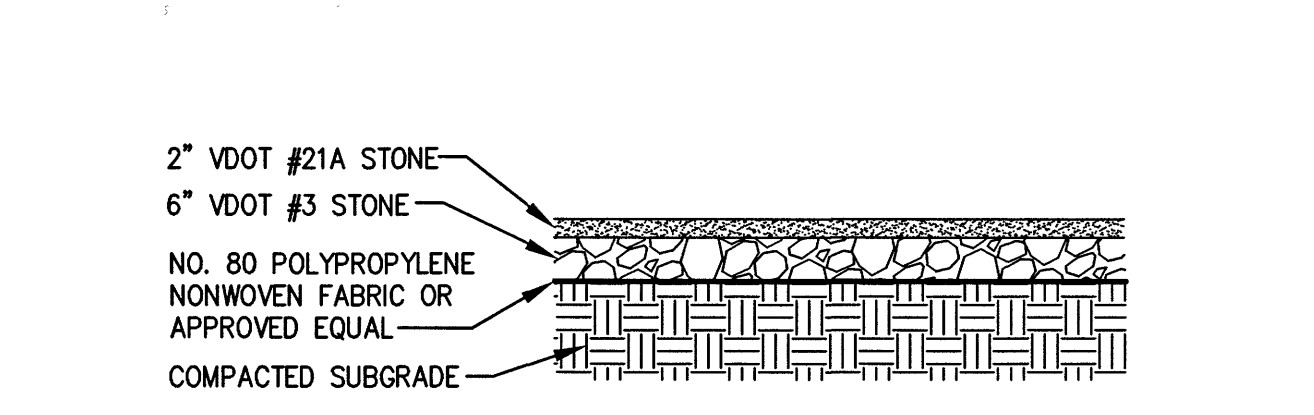
6" BOLLARD AT BUILDING AND DUMPSTER ENCLOSURE
NOT TO SCALE



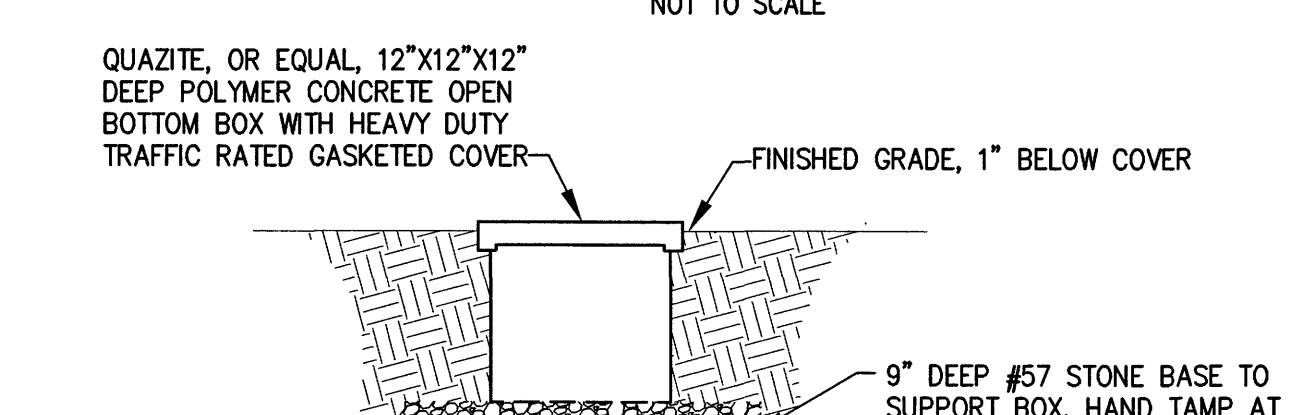
TIMBER GUARD RAIL
NOT TO SCALE



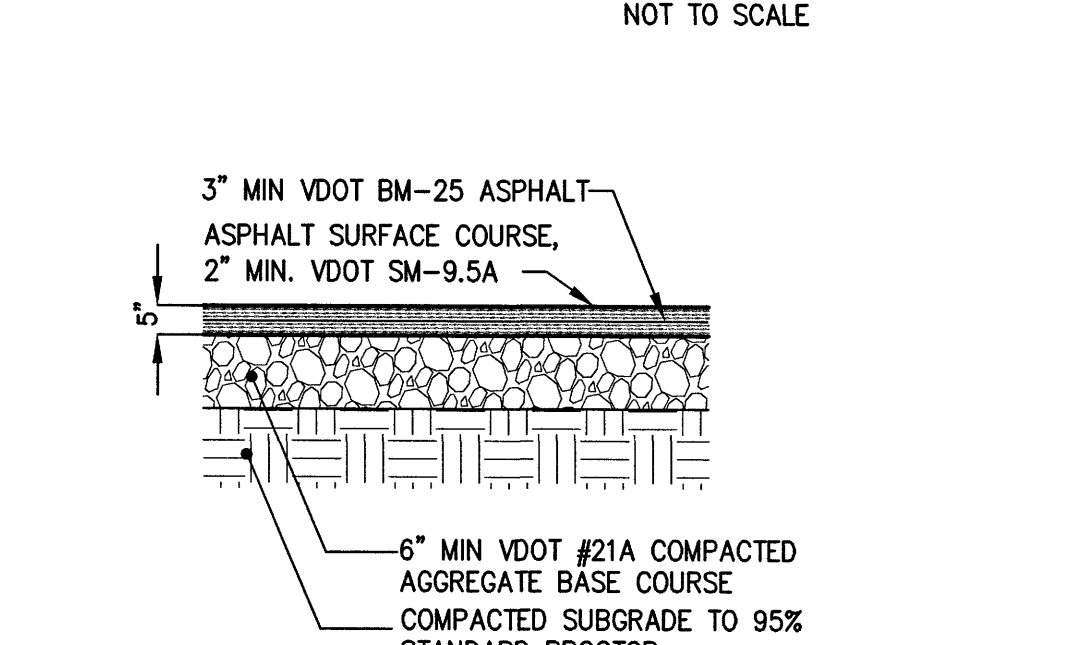
WIRE REINFORCED CONCRETE PAVEMENT SECTION (SIDEWALKS AND GATHERING AREA)
NOT TO SCALE



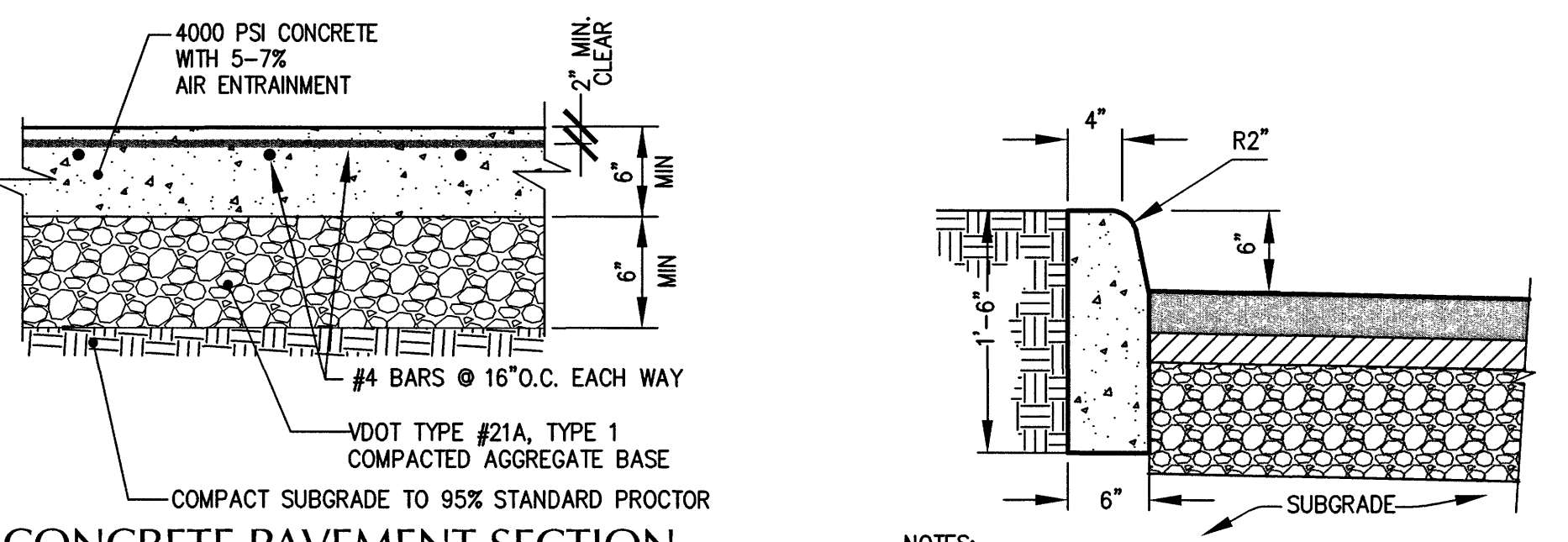
GRAVEL SHOULDER/TEMPORARY ROAD SECTION
NOT TO SCALE



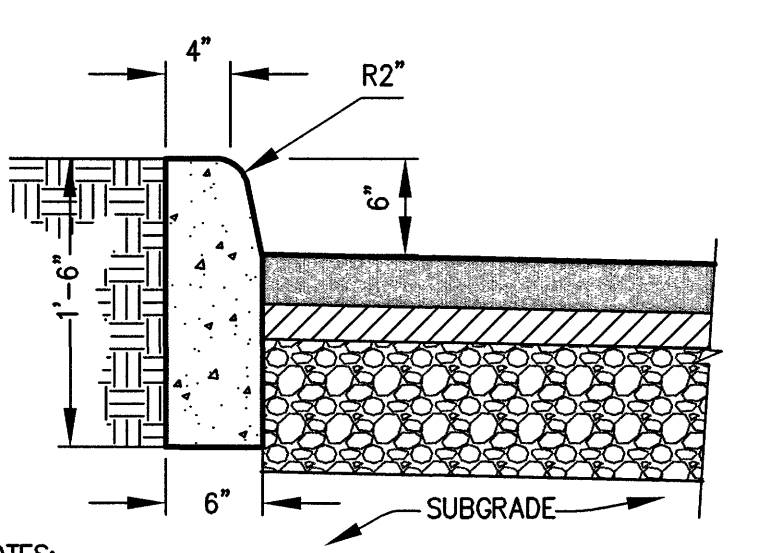
TYPICAL IN-GRADE JUNCTION/PULL BOX DETAIL
NOT TO SCALE



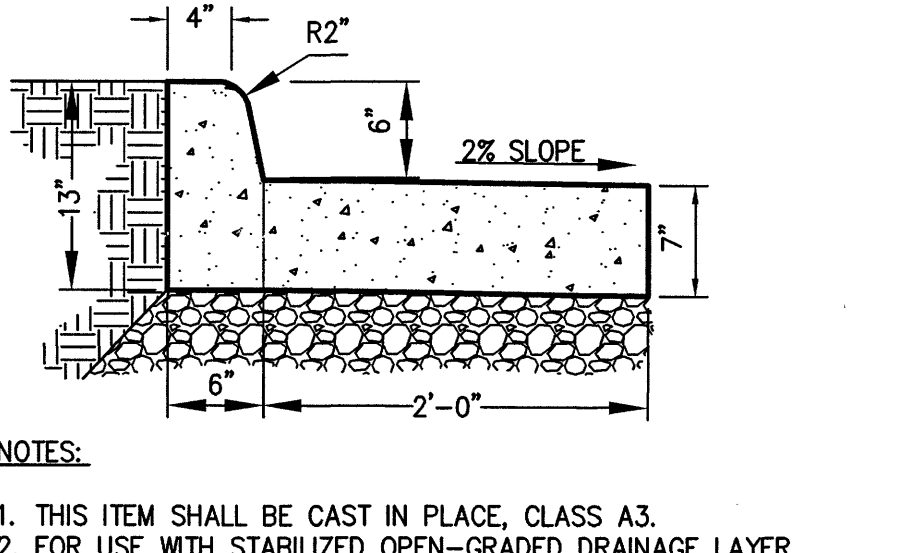
ASPHALT PAVEMENT SECTION
NOT TO SCALE



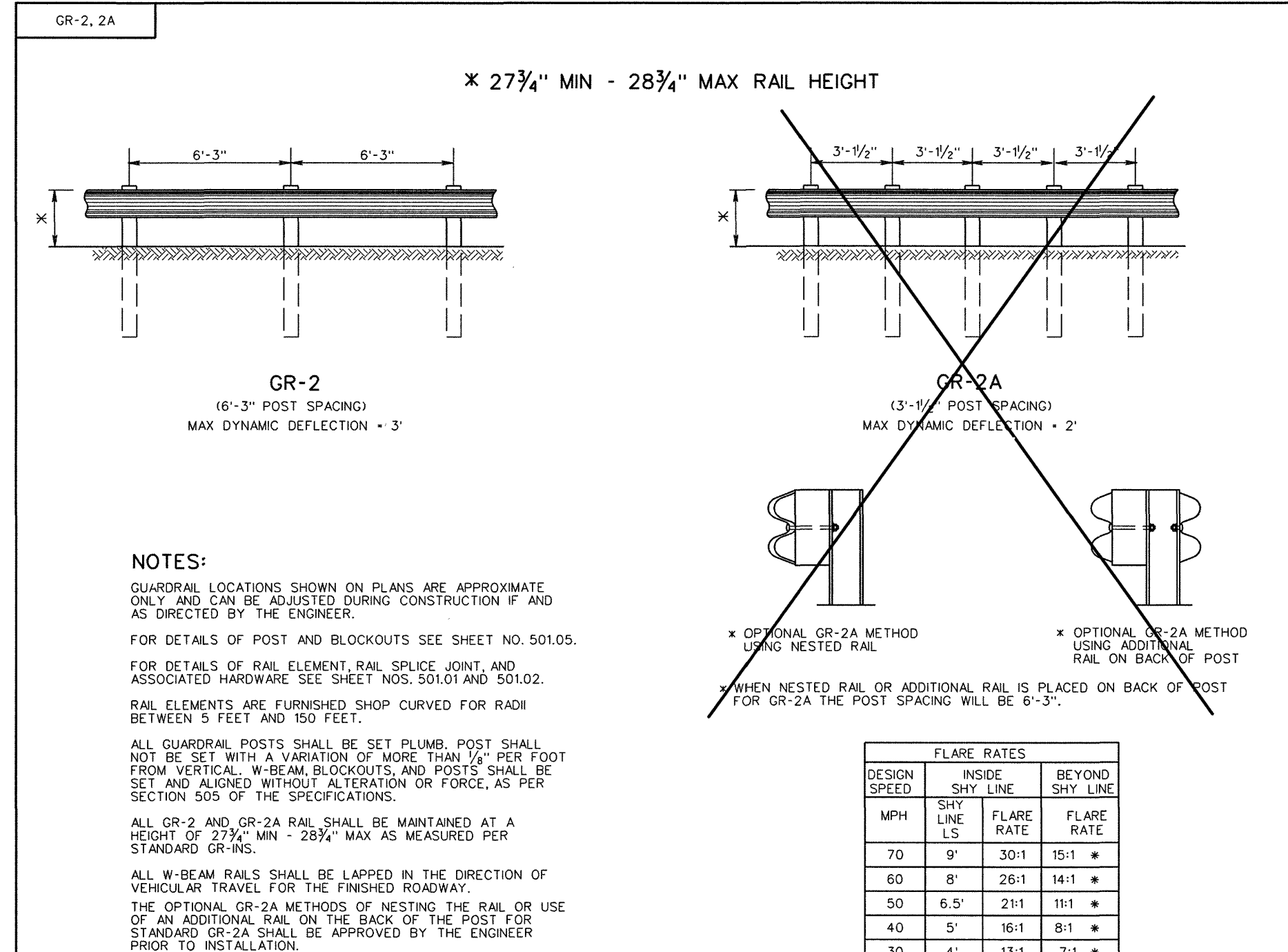
CONCRETE PAVEMENT SECTION (DRIVE APRON, PARKING AREA, FUEL TANK & DUMPSTER PAD)
NOT TO SCALE



VDOT CG-2 CURB
NOT TO SCALE



REVERSE CURB & GUTTER
NOT TO SCALE

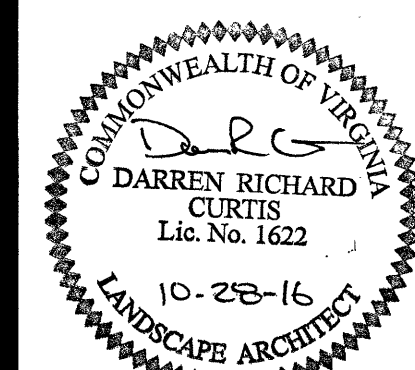


STANDARD BLOCKED-OUT W-BEAM GUARDRAIL (STRONG POST SYSTEM)
NOT TO SCALE



ENGINEERS ARCHITECTS PLANNERS

449 McLAWS CIRCLE
WILLIAMSBURG, VA 23185
(757) 253-0673 VOICE
(757) 253-2319 FAX
www.djginc.com



COUNTY OF ALBEMARLE

PANTOPS PUBLIC SAFETY FACILITY

IFB # 2017-11223-20

CHARLOTTESVILLE, VIRGINIA

REVISIONS

NO.	DATE	DESCRIPTION

COMMISSION NUMBER
2160310

SCALE: AS SHOWN
DESIGNED: DRC/MC
DRAWN: DRC/MC
CHECKED: DFB
DATE: 10.28.2016

THIS DOCUMENT CONTAINS INFORMATION PROPRIETARY TO DJG, INC. AND IS FURNISHED IN CONFIDENCE AS AN INSTRUMENT OF SERVICE FOR THE LIMITED PURPOSE OF EVALUATION, DESIGN AND REVIEW OR CONSTRUCTION OF A SPECIFIC PROJECT. REPRODUCTION OF THIS DOCUMENT IN WHOLE OR IN PART, OR THE OCCUPATION OF ANY DETAIL OR DESIGN WITHOUT THE EXPRESS WRITTEN CONSENT OF DJG, INC. IS PROHIBITED. ALL RIGHTS RESERVED. COPYRIGHT DJG, INC. (C) 2016.

SHEET TITLE

SITE DETAILS

SHEET NUMBER

C-505

18 OF 68