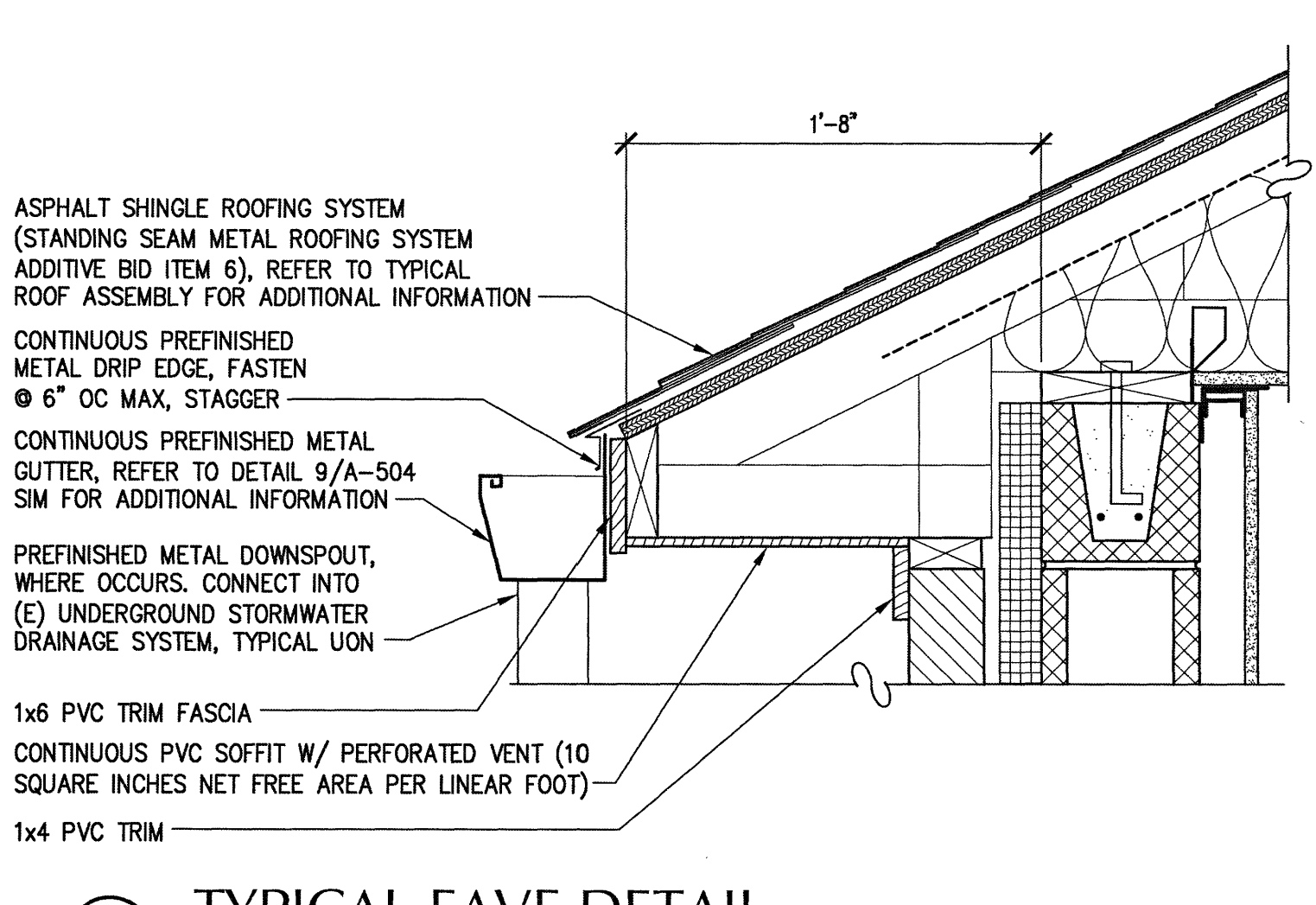
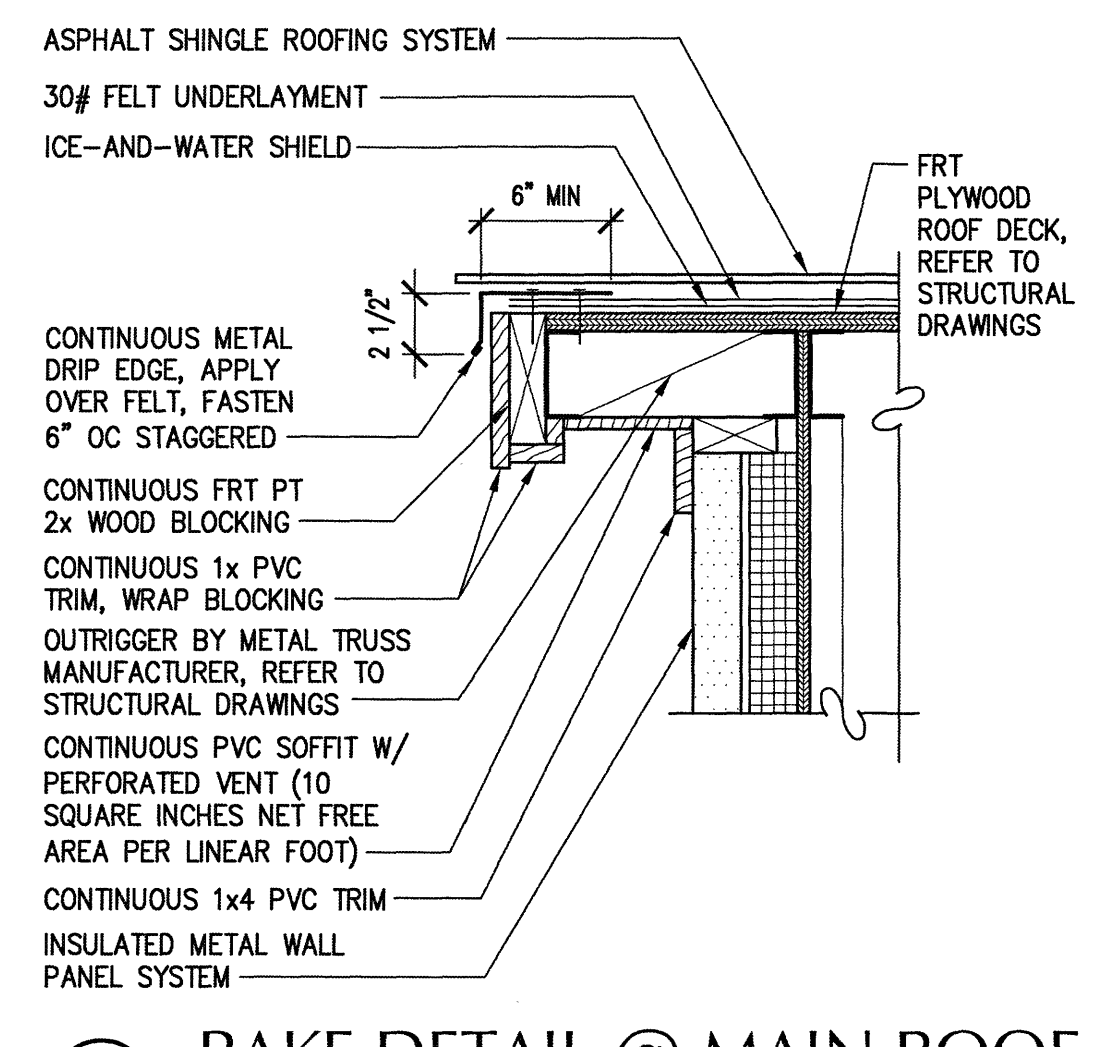


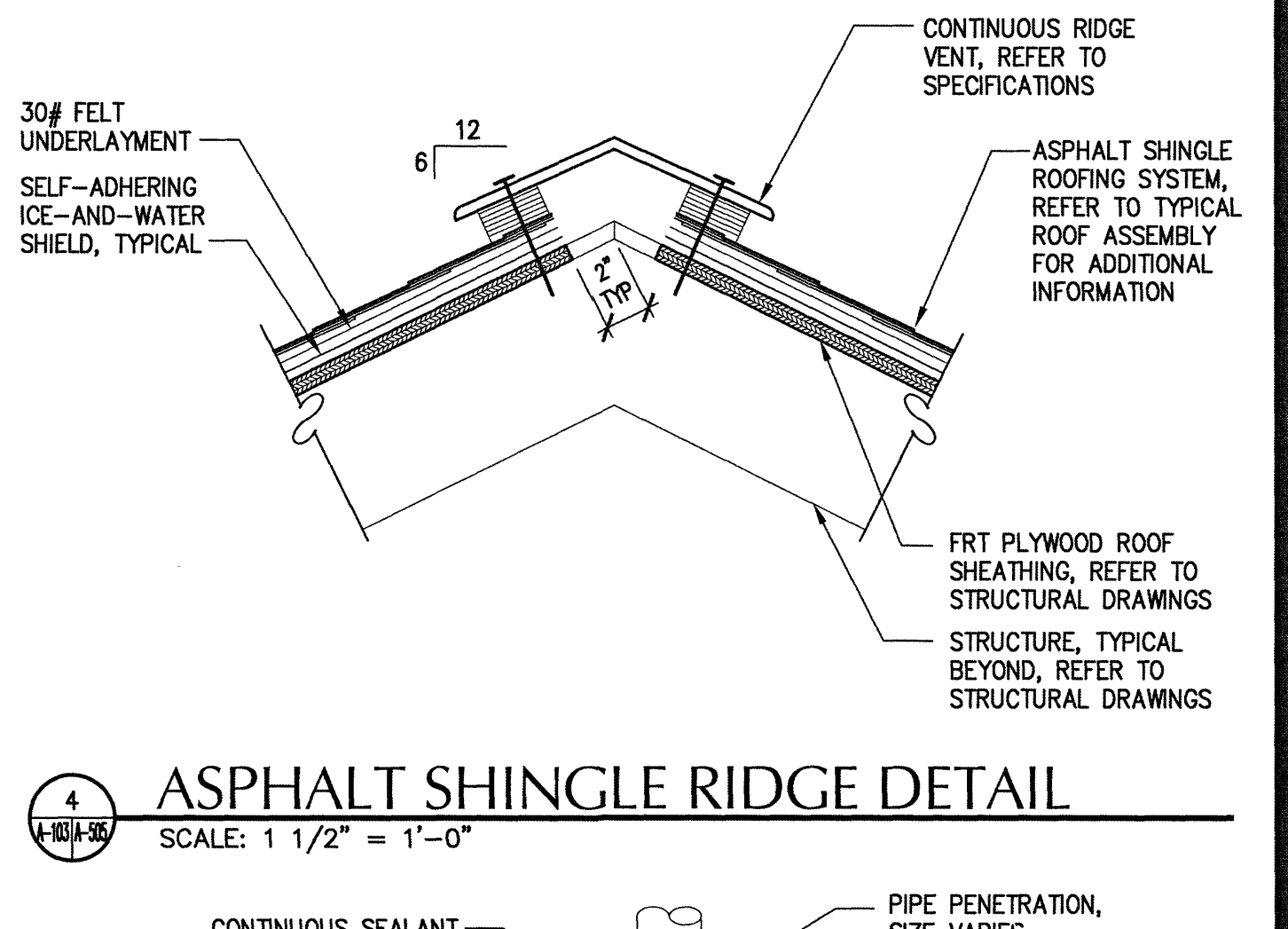
**1 VTR DETAIL @ ASPHALT SHINGLES**  
SCALE: 1 1/2" = 1'-0"



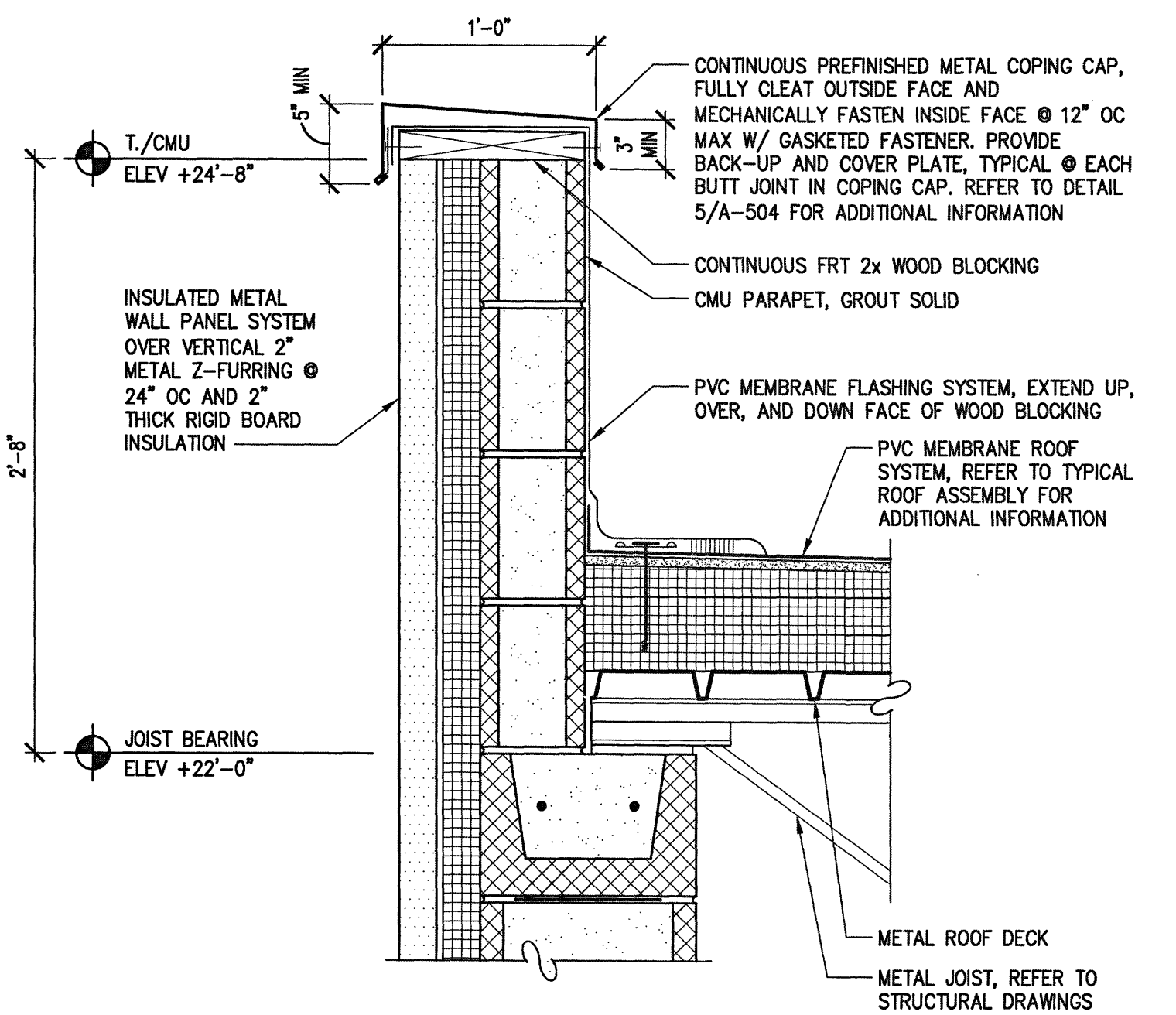
**2 TYPICAL EAVE DETAIL**  
SCALE: 1 1/2" = 1'-0"



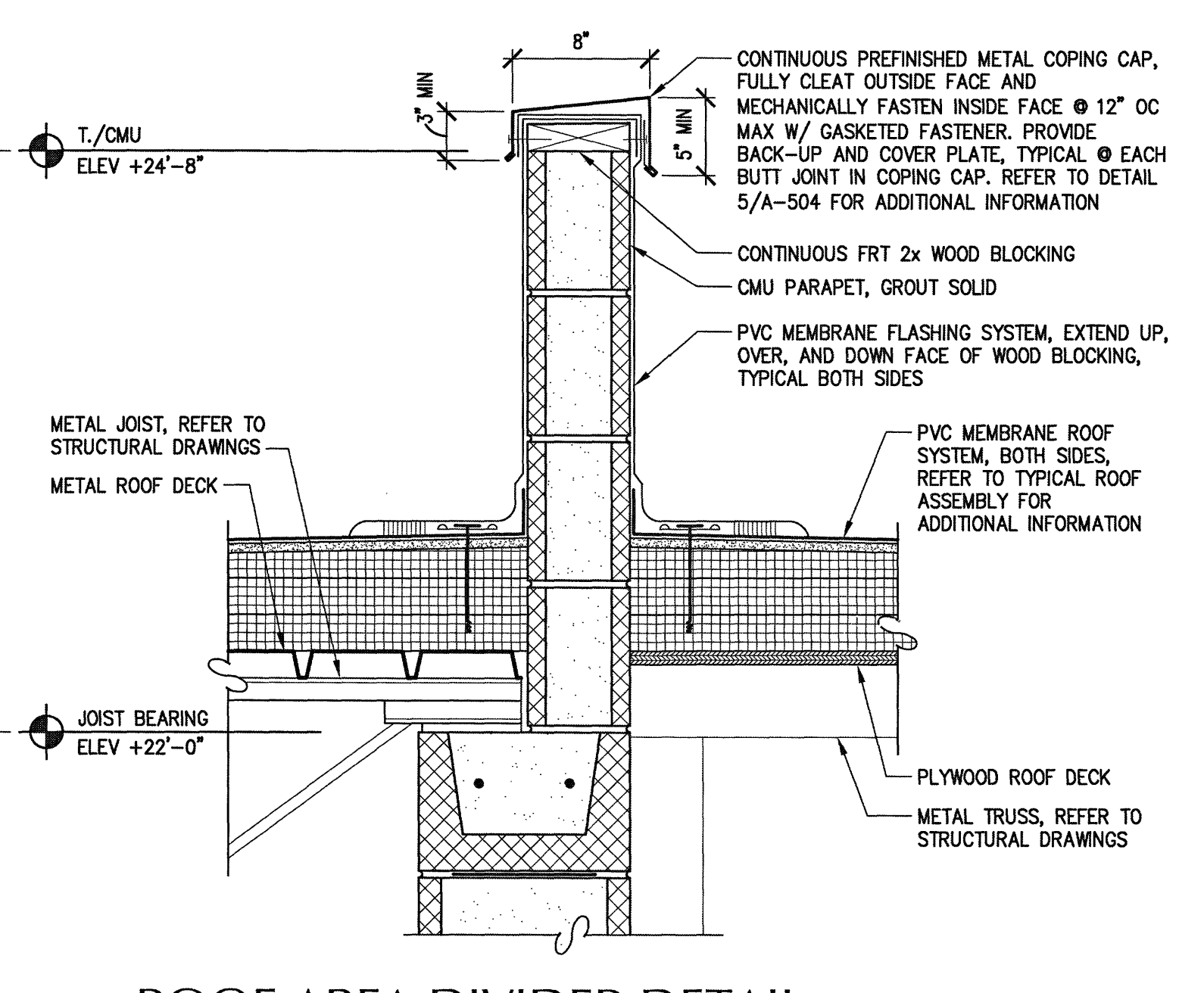
**3 RAKE DETAIL @ MAIN ROOF**  
SCALE: 1 1/2" = 1'-0"



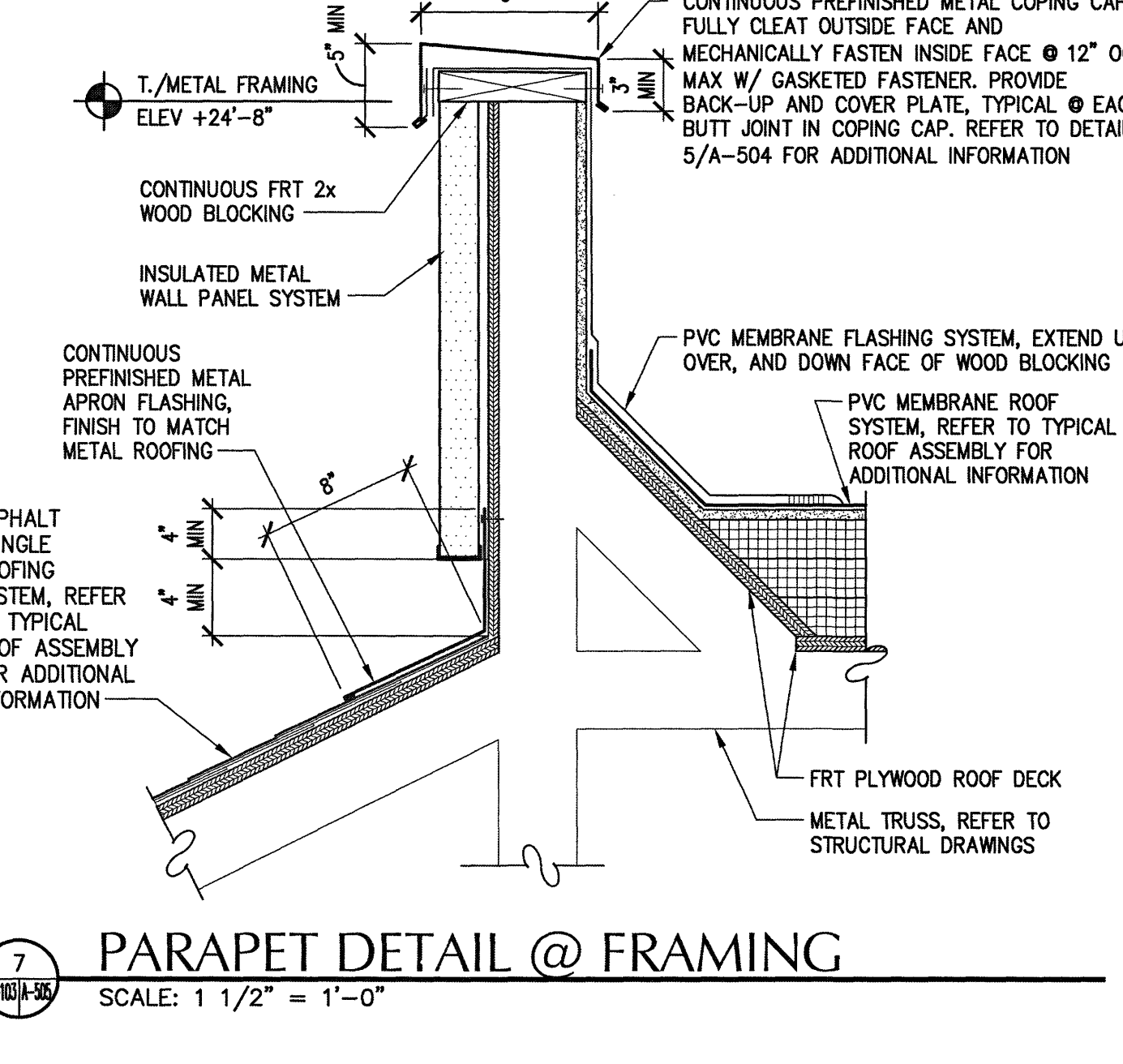
**4 ASPHALT SHINGLE RIDGE DETAIL**  
SCALE: 1 1/2" = 1'-0"



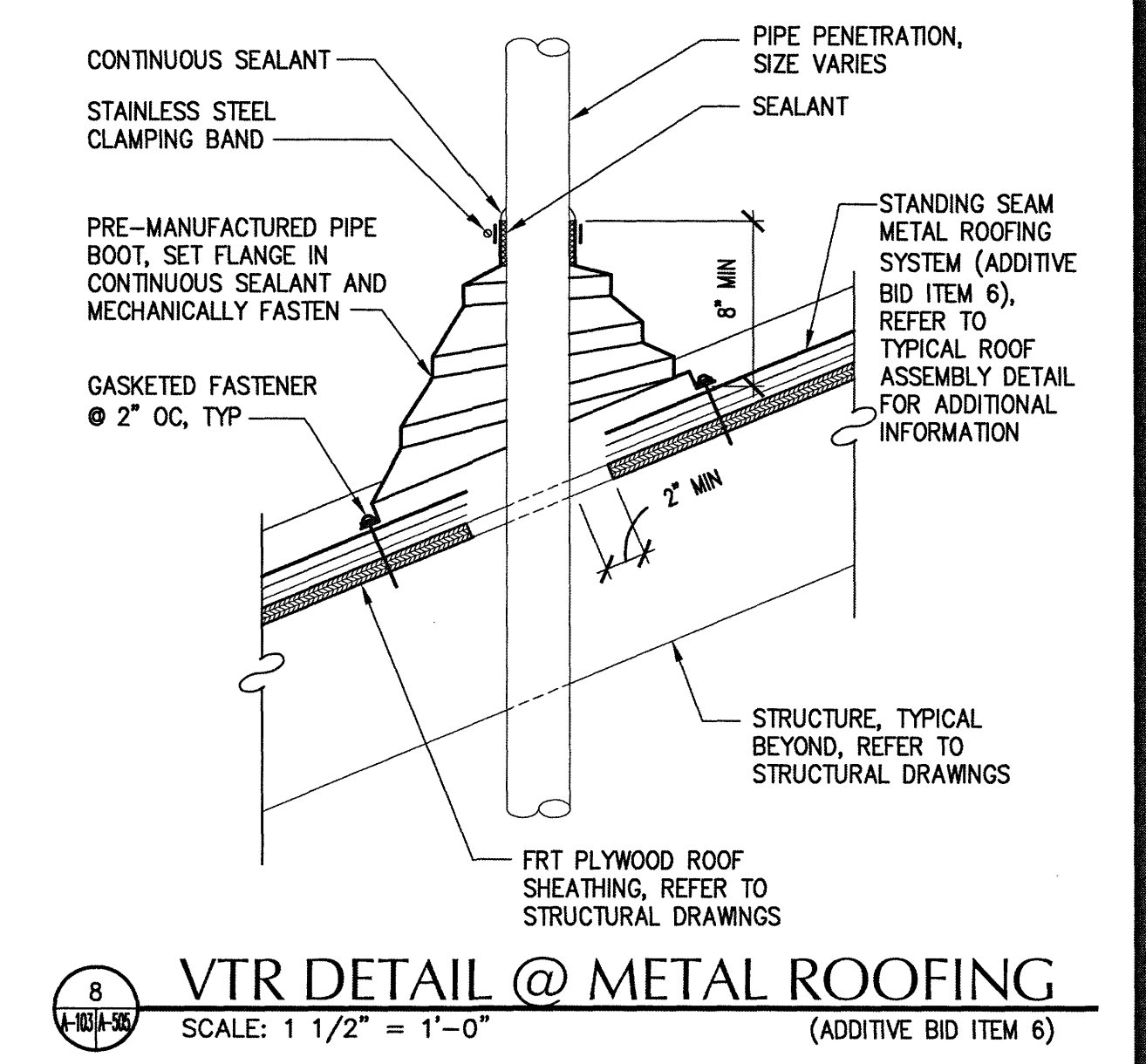
**5 PARAPET DETAIL @ CMU**  
SCALE: 1 1/2" = 1'-0"



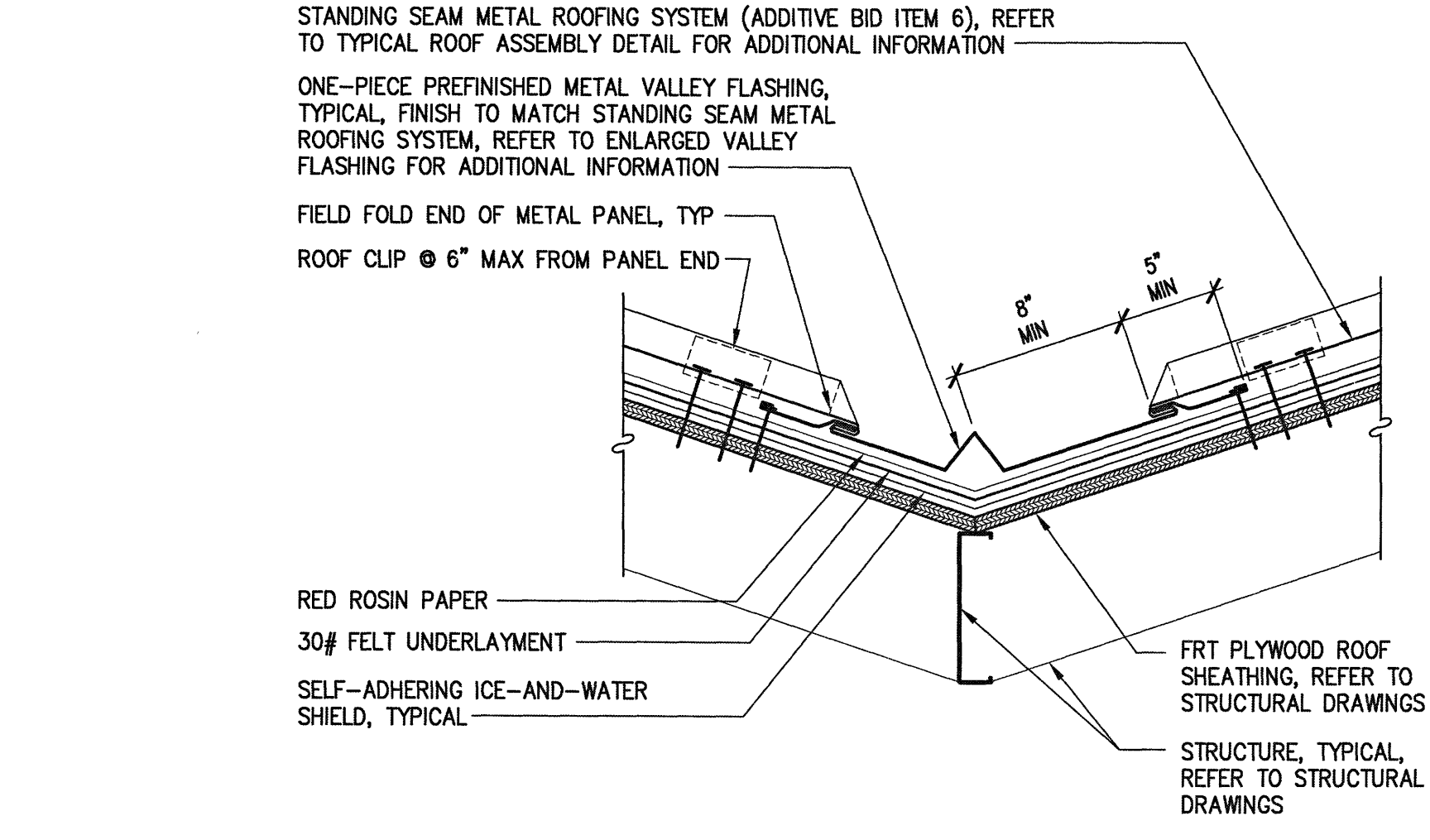
**6 ROOF AREA DIVIDER DETAIL**  
SCALE: 1 1/2" = 1'-0"



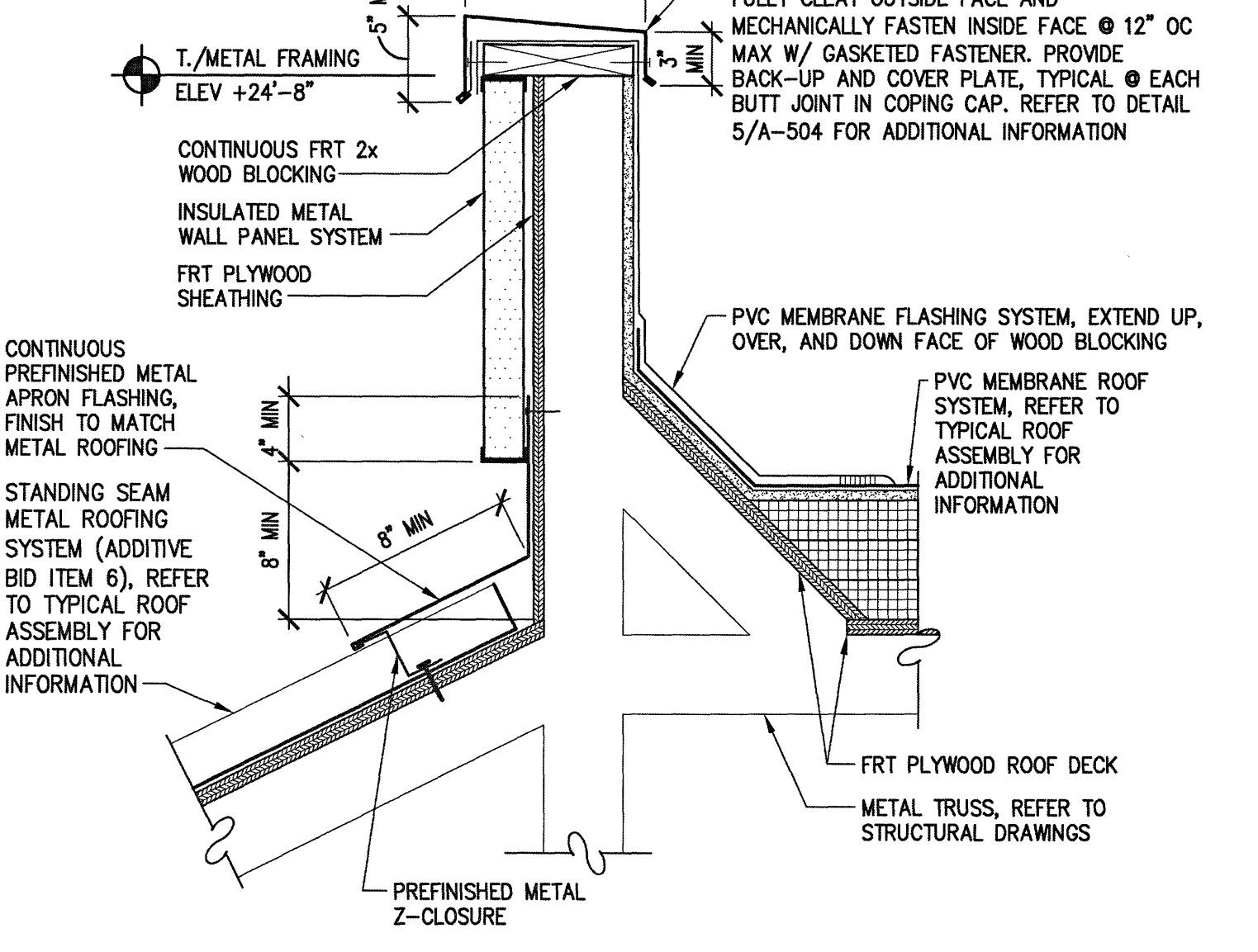
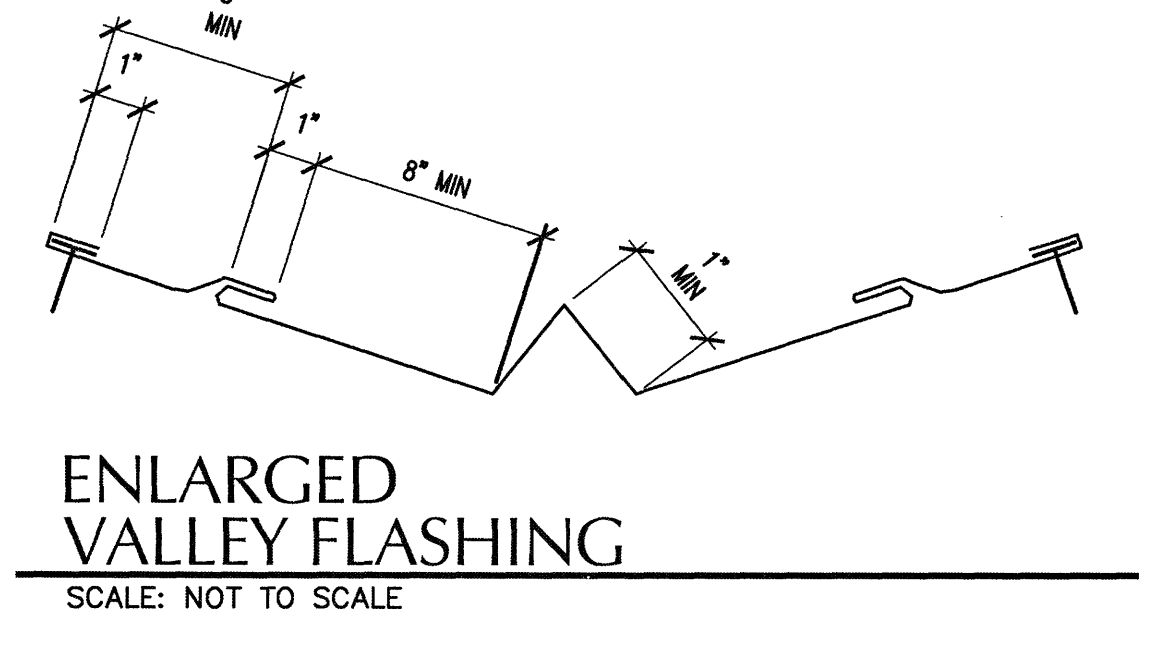
**7 PARAPET DETAIL @ FRAMING**  
SCALE: 1 1/2" = 1'-0"



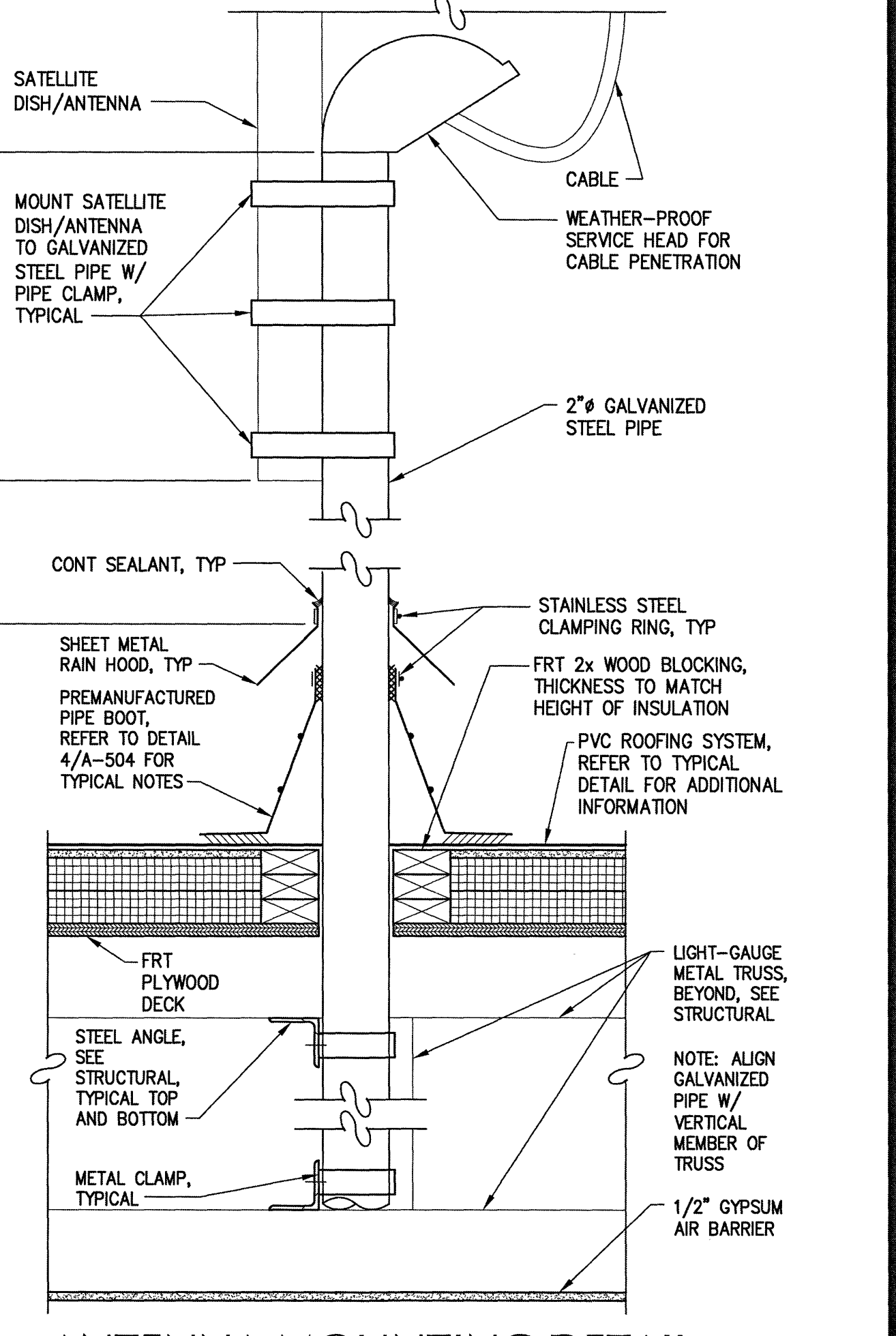
**8 VTR DETAIL @ METAL ROOFING**  
SCALE: 1 1/2" = 1'-0" (ADDITIVE BID ITEM 6)



**9 METAL VALLEY FLASHING DETAIL**  
SCALE: 1 1/2" = 1'-0" (ADDITIVE BID ITEM 6)



**10 PARAPET DETAIL @ FRAMING**  
SCALE: 1 1/2" = 1'-0" (ADDITIVE BID ITEM 6)



**11 ANTENNA MOUNTING DETAIL**  
SCALE: 1 1/2" = 1'-0"



ENGINEERS  
ARCHITECTS  
PLANNERS

449 McLAWS CIRCLE  
WILLIAMSBURG, VA 23185  
(757) 253-0673 VOICE  
(757) 253-2319 FAX  
www.djginc.com



COUNTY OF ALBEMARLE

PANTOPS  
PUBLIC SAFETY  
FACILITY

IFB # 2017-11223-20

CHARLOTTEVILLE,  
VIRGINIA

REVISIONS

NO.	DATE	DESCRIPTION

COMMISSION NUMBER  
**2160310**

SCALE: **AS NOTED**  
DESIGNED: **RTL**  
DRAWN: **RTL**  
CHECKED: **DFB**  
DATE: **10.28.2016**

THIS DOCUMENT CONTAINS INFORMATION PROPRIETARY TO DJG, INC. AND IS FURNISHED IN CONFIDENCE AS AN INSTRUMENT OF SERVICE FOR THE LIMITED PURPOSE OF EVALUATION, BIDDING AND REVIEW, OR CONSTRUCTION OF A SPECIFIC PROJECT. REPRODUCTION OF THIS DOCUMENT, IN WHOLE OR IN PART, OR THE MODIFICATION OF ANY DETAIL OR DESIGN WITHOUT THE EXPRESSED WRITTEN CONSENT OF DJG, INC. IS PROHIBITED. ALL RIGHTS RESERVED. COPYRIGHT DJG, INC. © 2016.

SHEET TITLE

ROOF DETAILS

SHEET NUMBER

**A-505**

36 OF 68