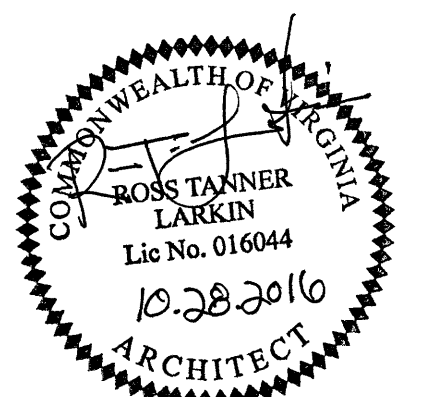




ENGINEERS
ARCHITECTS
PLANNERS

449 McLaws Circle
Williamsburg, VA 23185
(757) 253-0673 VOICE
(757) 253-2319 FAX

www.djginc.com



COUNTY OF ALBEMARLE

PANTOPS
PUBLIC SAFETY
FACILITY

IFB # 2017-11223-20

CHARLOTTESVILLE,
VIRGINIA

REVISIONS

DATE DESCRIPTION

COMMISSION NUMBER

2160310

SCALE: AS NOTED

DESIGNED: KAH

DRAWN: KAH

CHECKED: DFB

DATE: 10.28.2016

THIS DOCUMENT CONTAINS INFORMATION PROPRIETARY TO DJG, INC. AND IS FURNISHED IN CONFIDENCE AS AN INSTRUMENT OF SERVICE FOR THE LIMITED PURPOSE OF EVALUATION, DESIGN AND REVIEW, OR CONSTRUCTION OF A SPECIFIC PROJECT. REPRODUCTION OF THIS DOCUMENT, IN WHOLE OR IN PART, WITHOUT THE WRITTEN CONSENT OF DJG, INC. IS PROHIBITED. ALL RIGHTS RESERVED. COPYRIGHT DJG, INC. © 2016.

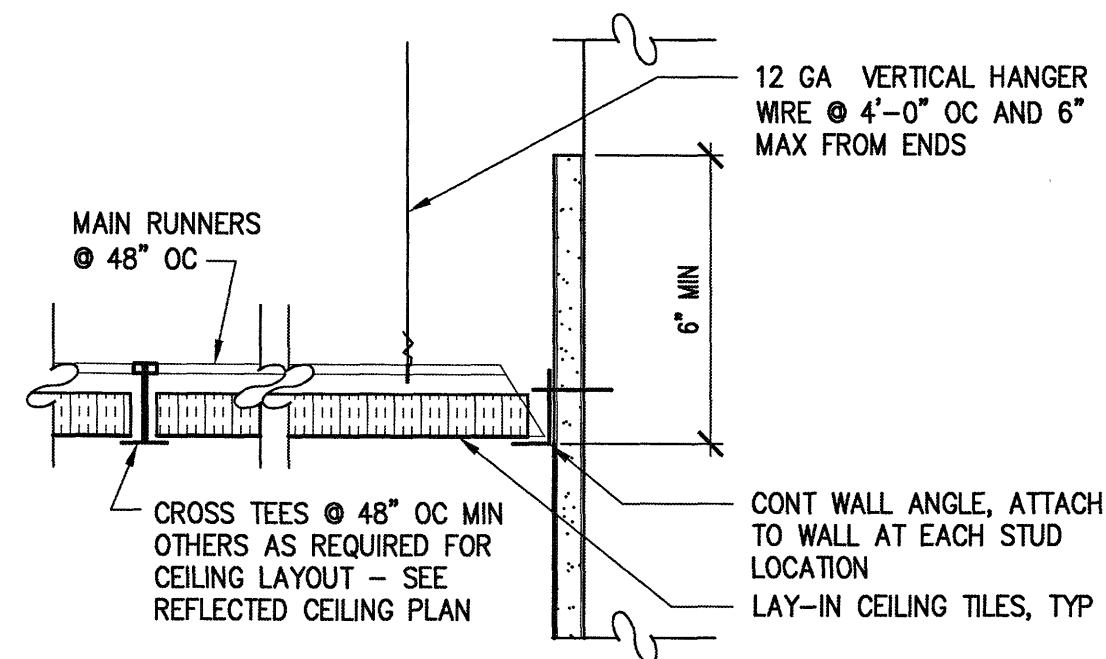
SHEET TITLE

INTERIOR
DETAILS

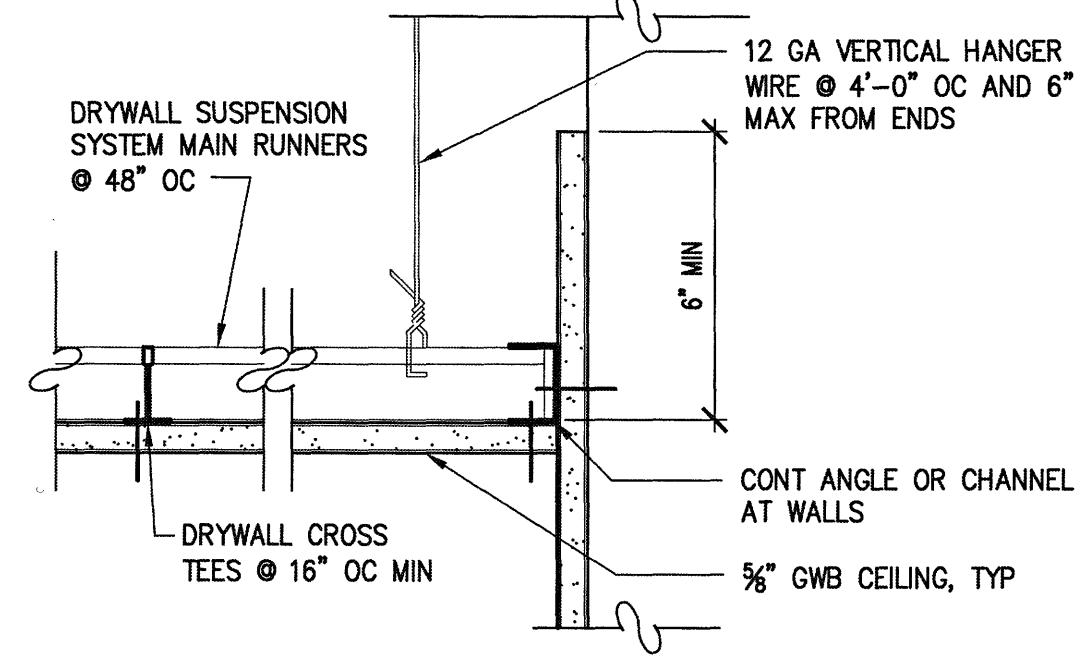
SHEET NUMBER

A-503

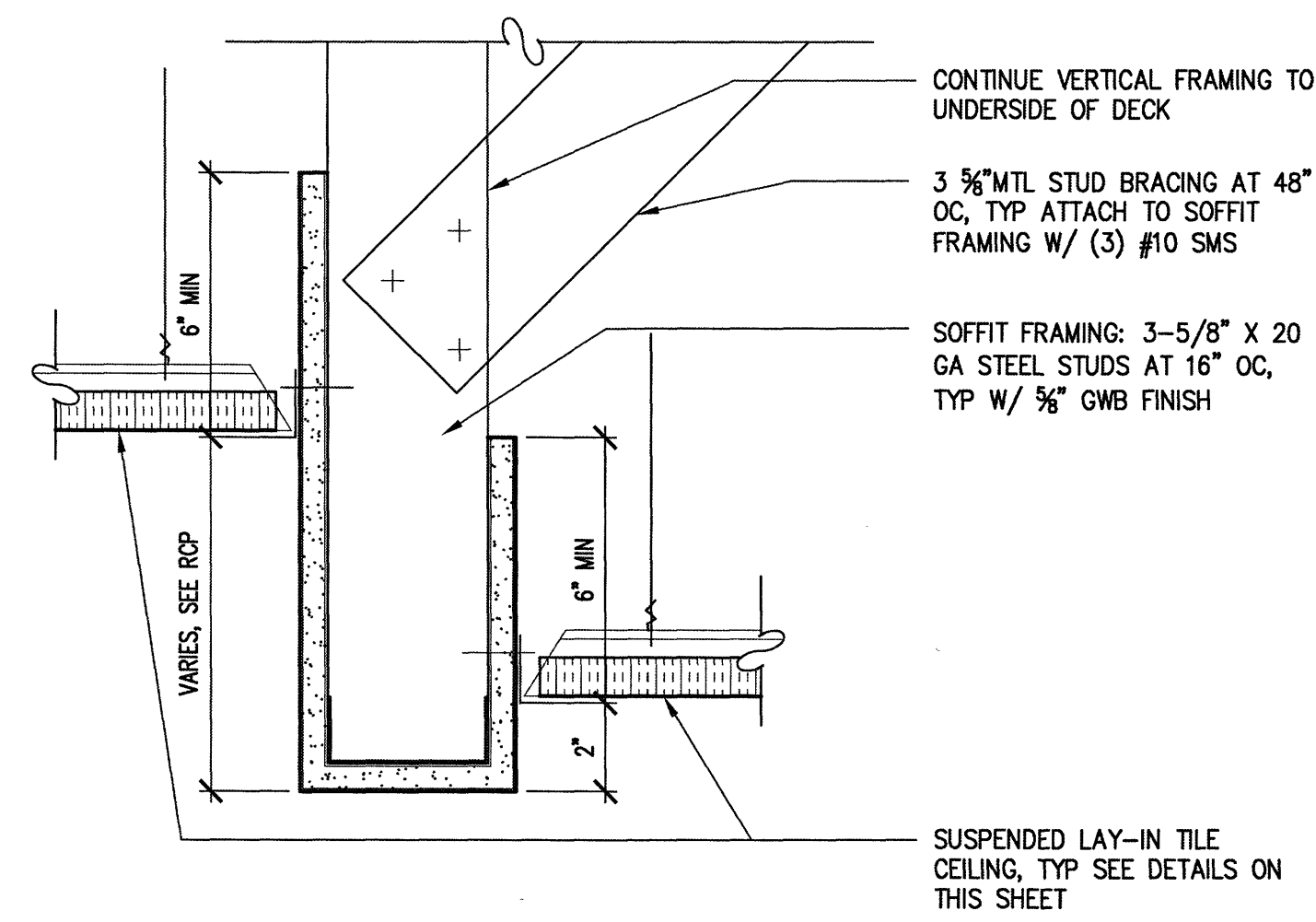
34 OF 68



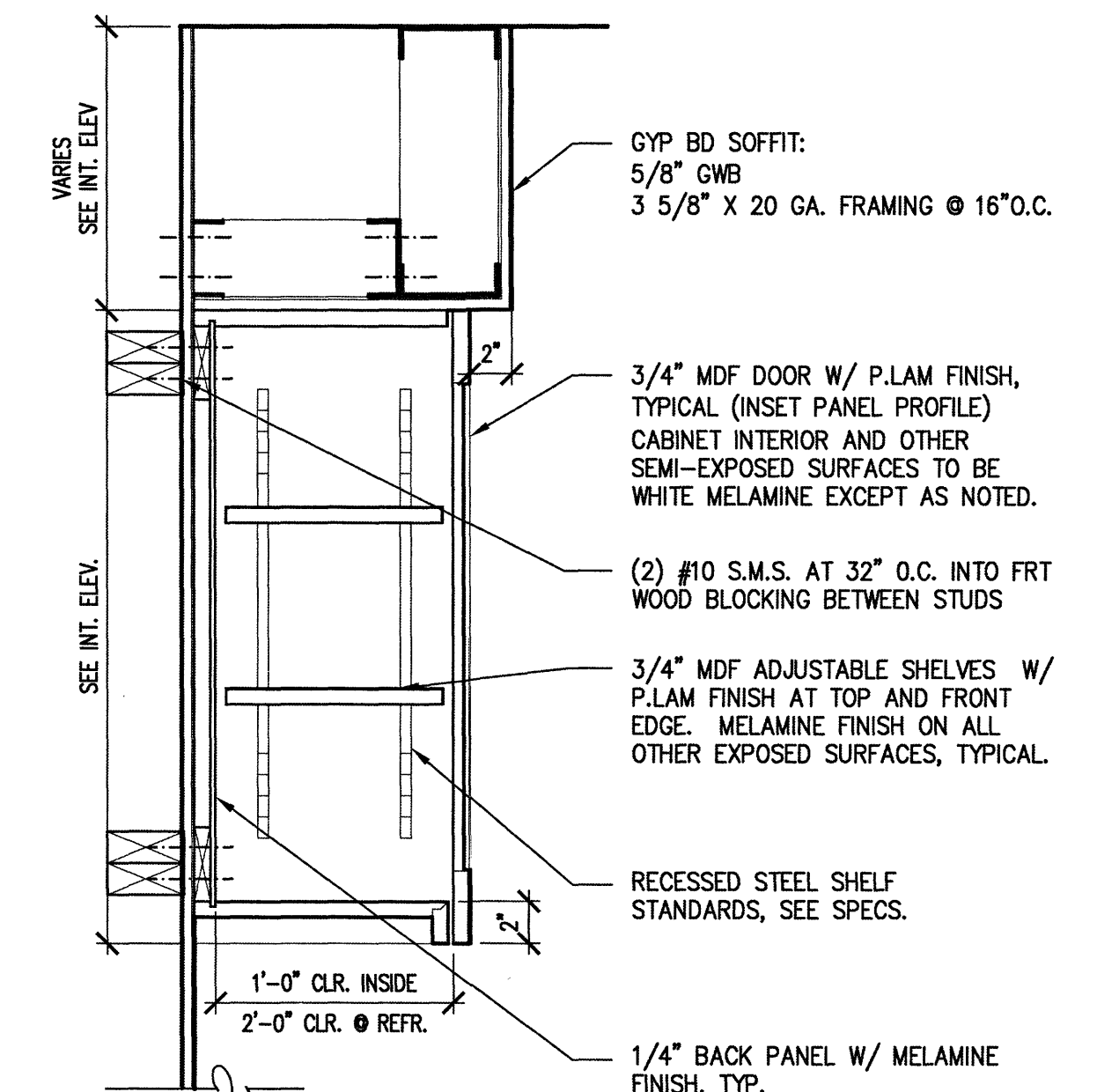
1 SUSPENDED LAY-IN TILE CEILING
SCALE: 3" = 1'-0"



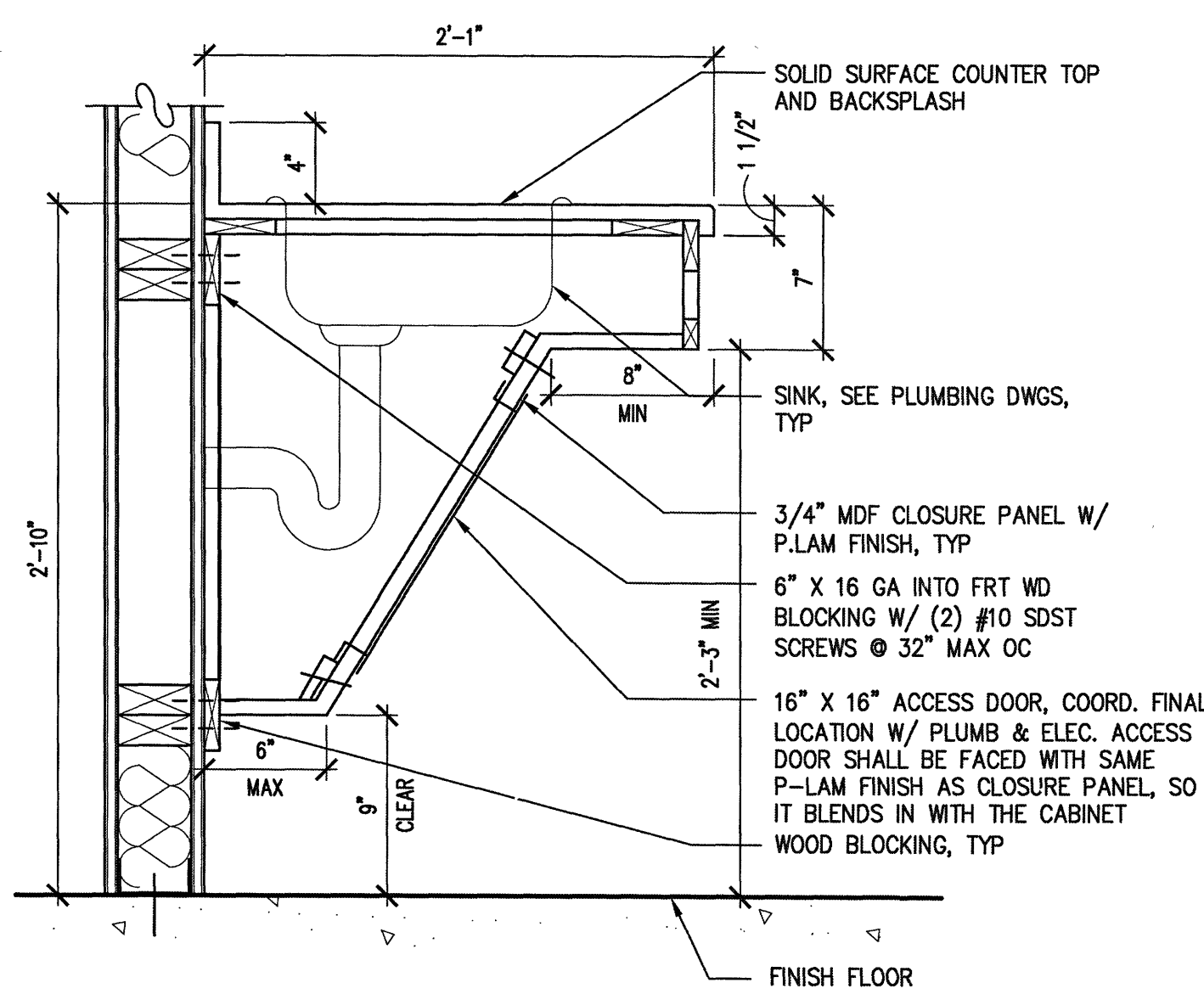
2 SUSPENDED GWB CEILING
SCALE: 3" = 1'-0"



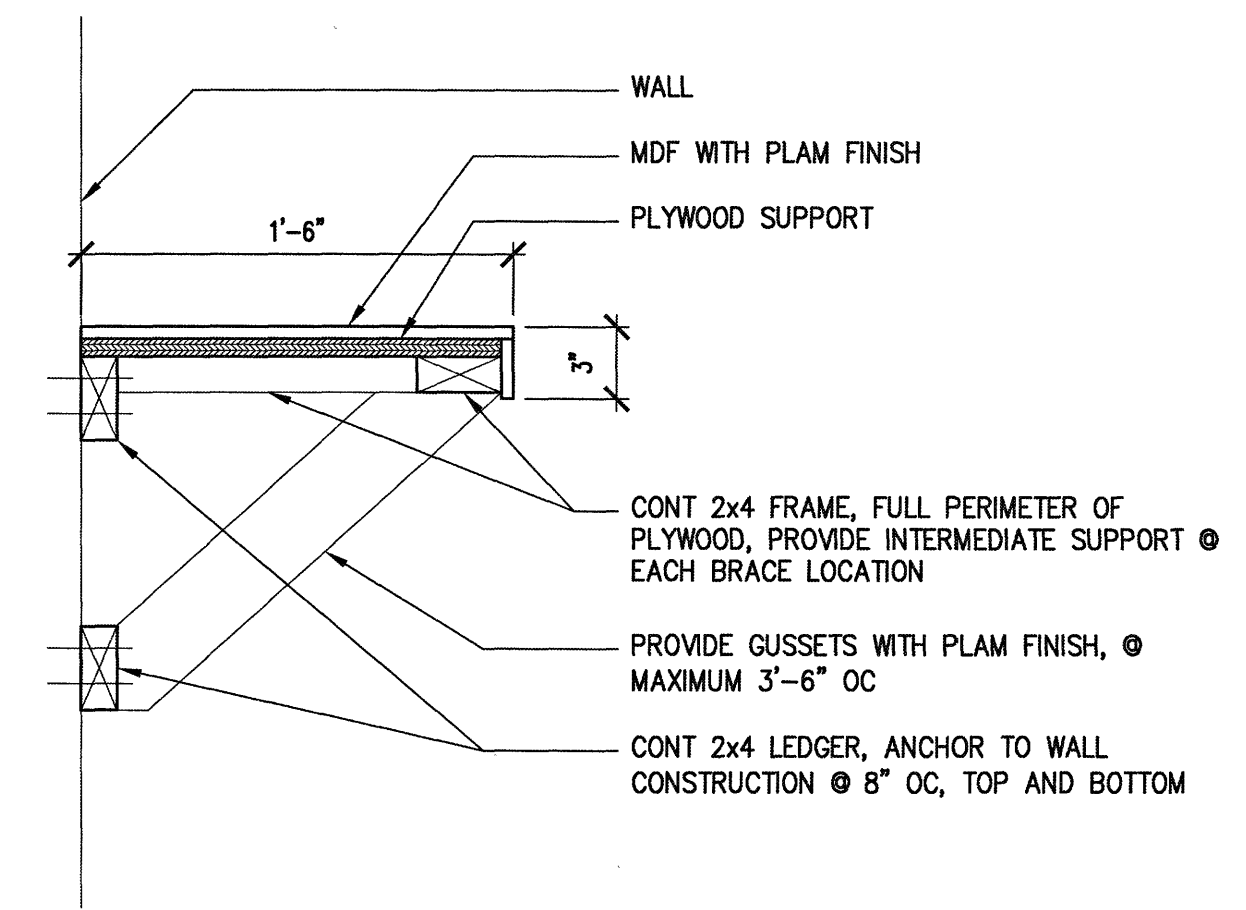
3 BULKHEAD DETAIL
SCALE: 3" = 1'-0"



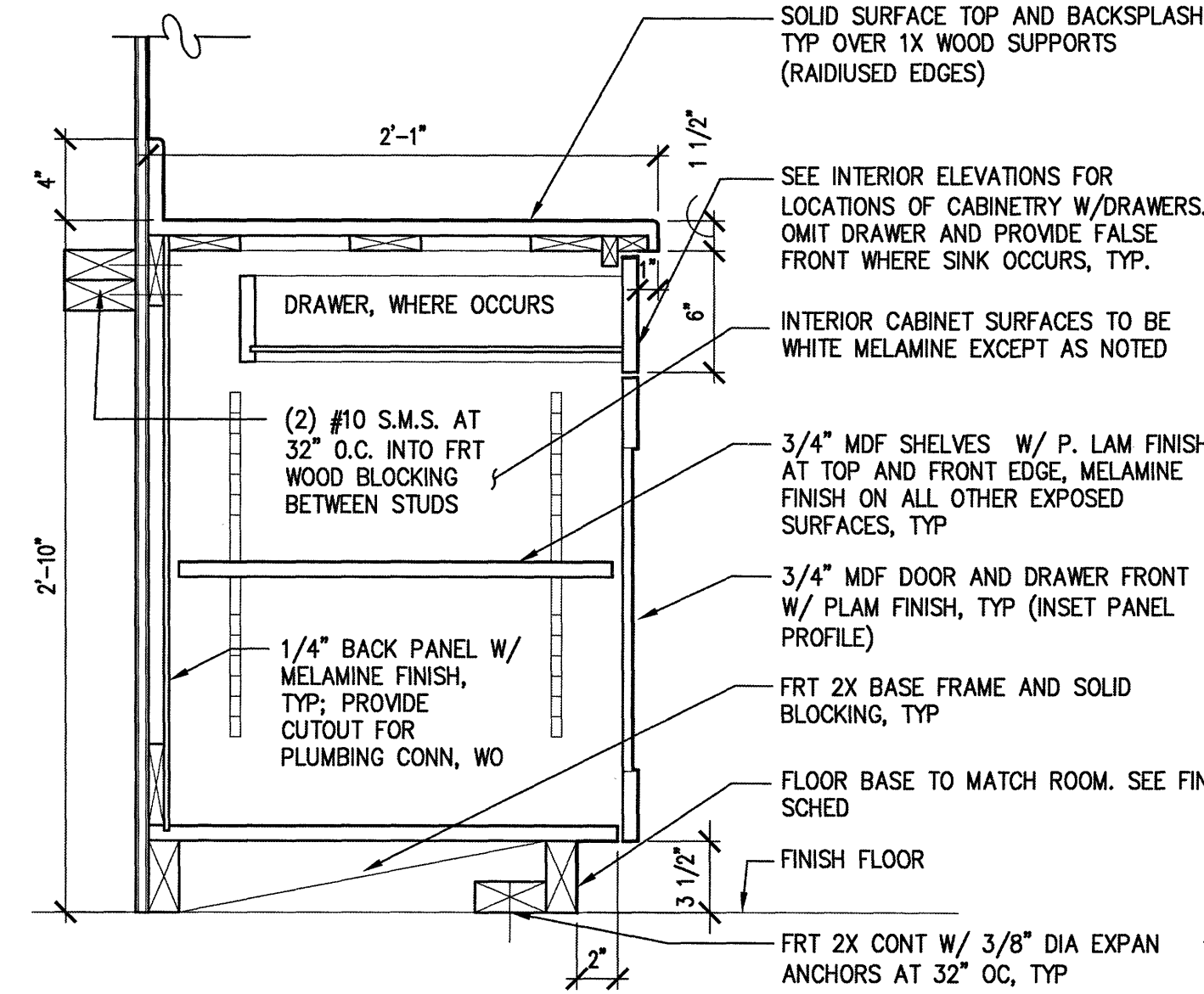
4 WALL CABINET
SCALE: 1 1/2" = 1'-0"



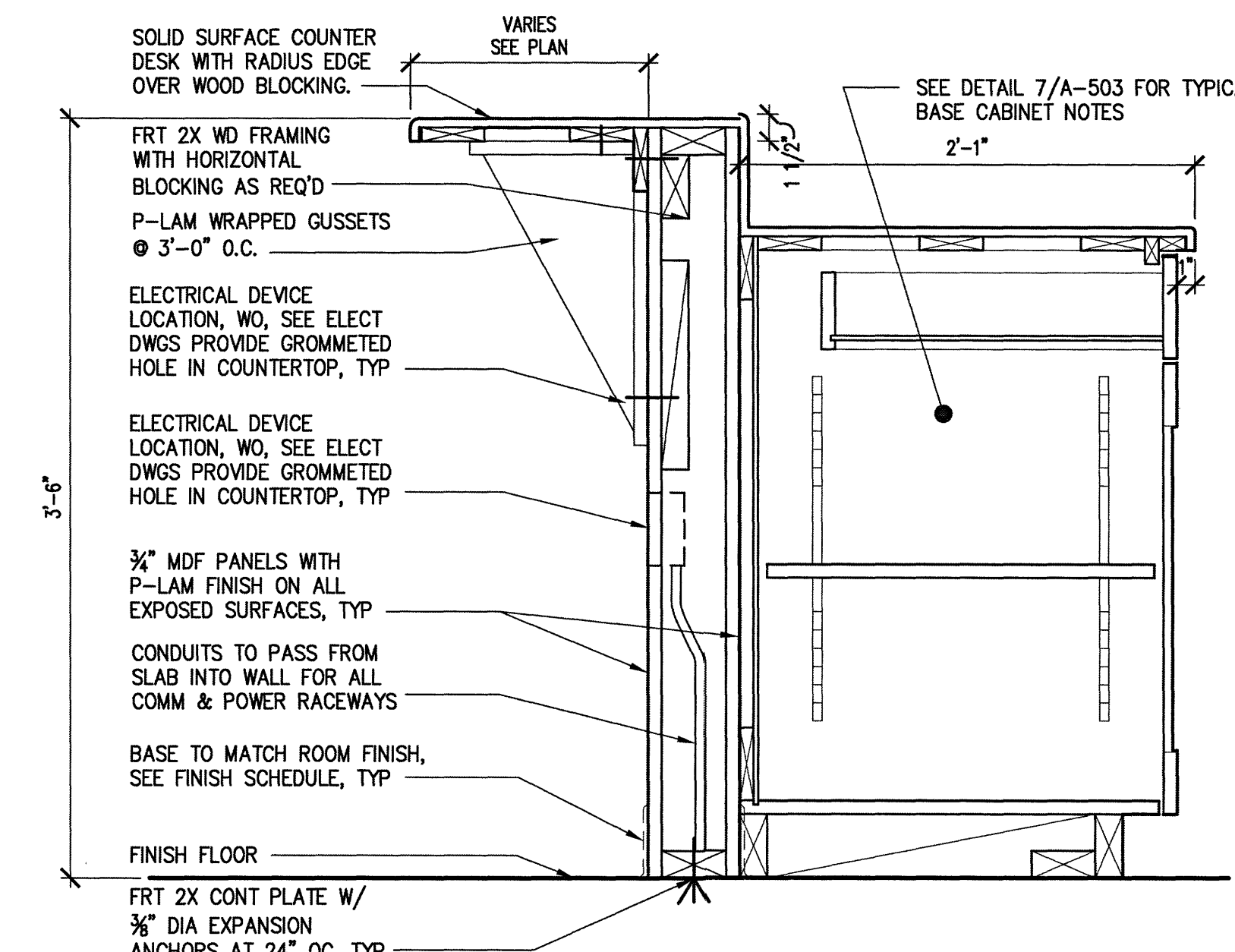
5 SINK COUNTER
SCALE: 1 1/2" = 1'-0"



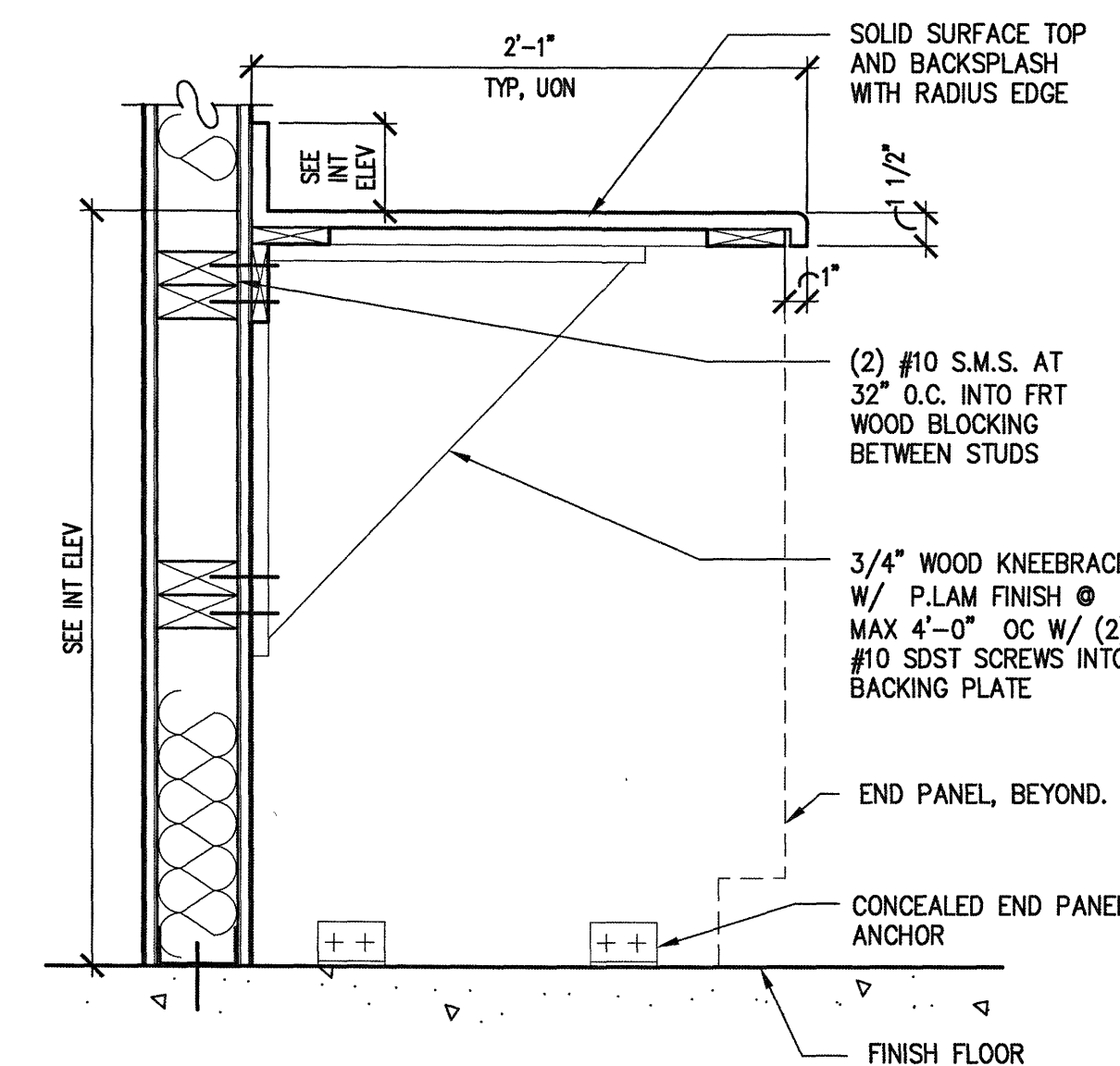
6 SHELVING DETAIL
SCALE: 1 1/2" = 1'-0"



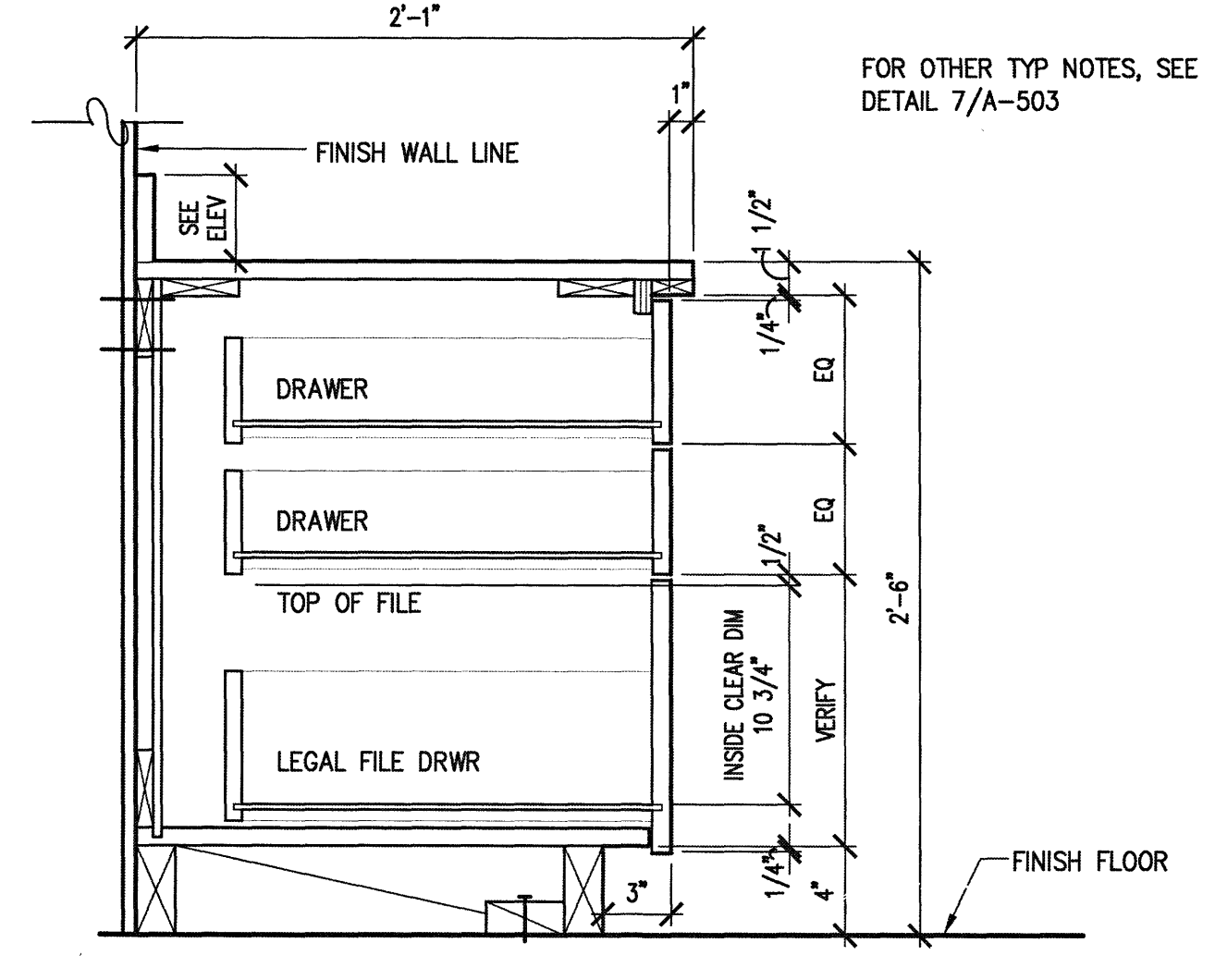
7 BASE CABINET
SCALE: 1 1/2" = 1'-0"



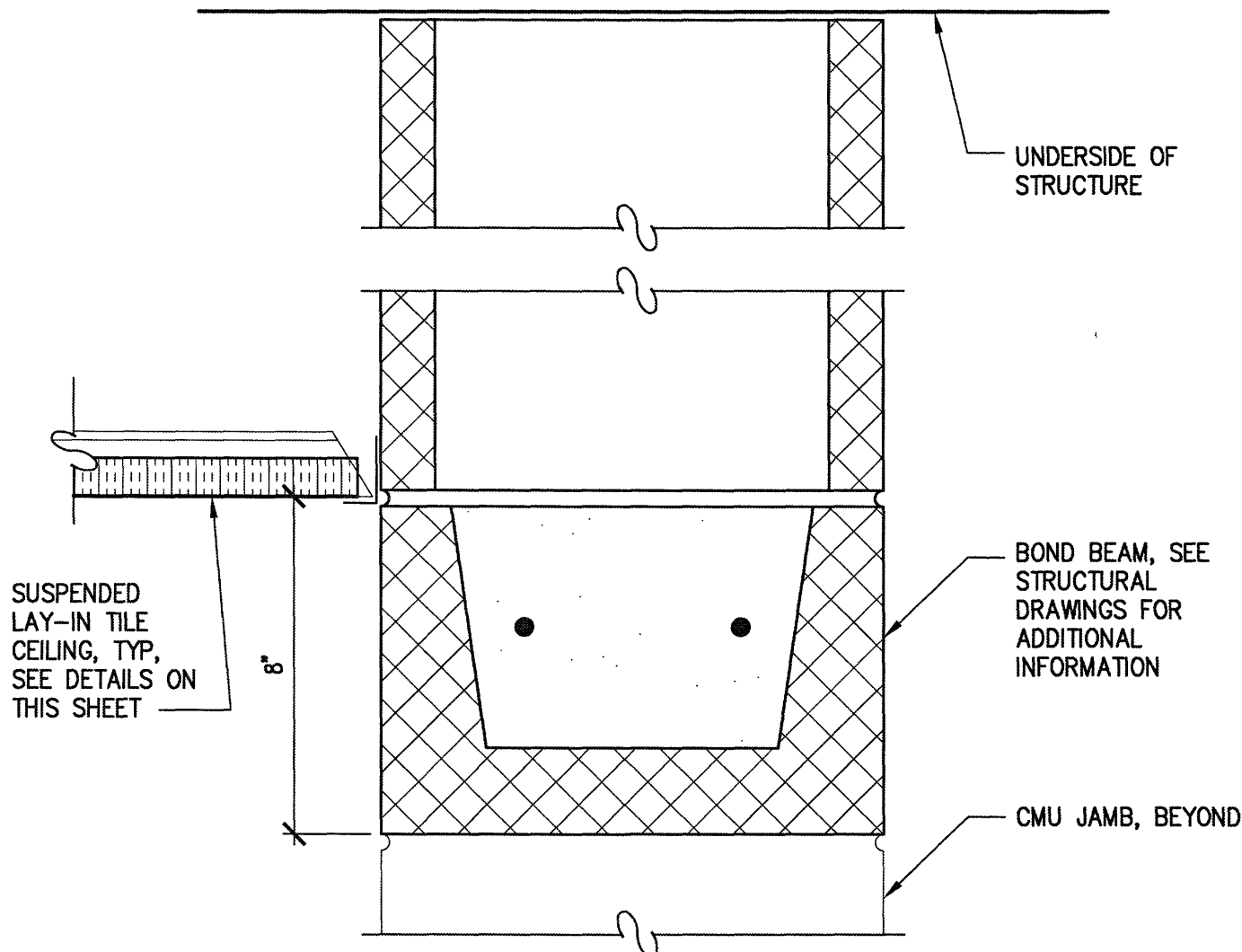
8 BAR TOP & CABINET
SCALE: 1 1/2" = 1'-0"



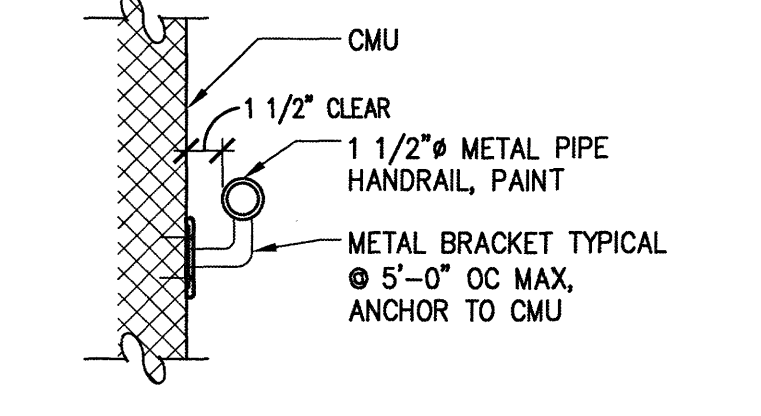
9 WRITING DESK
SCALE: 1 1/2" = 1'-0"



10 3-DRAWER FILE
SCALE: 1 1/2" = 1'-0"



11 OPENING DETAIL @ CMU
SCALE: 3" = 1'-0"



12 HANDRAIL DETAIL
SCALE: 1 1/2" = 1'-0"

