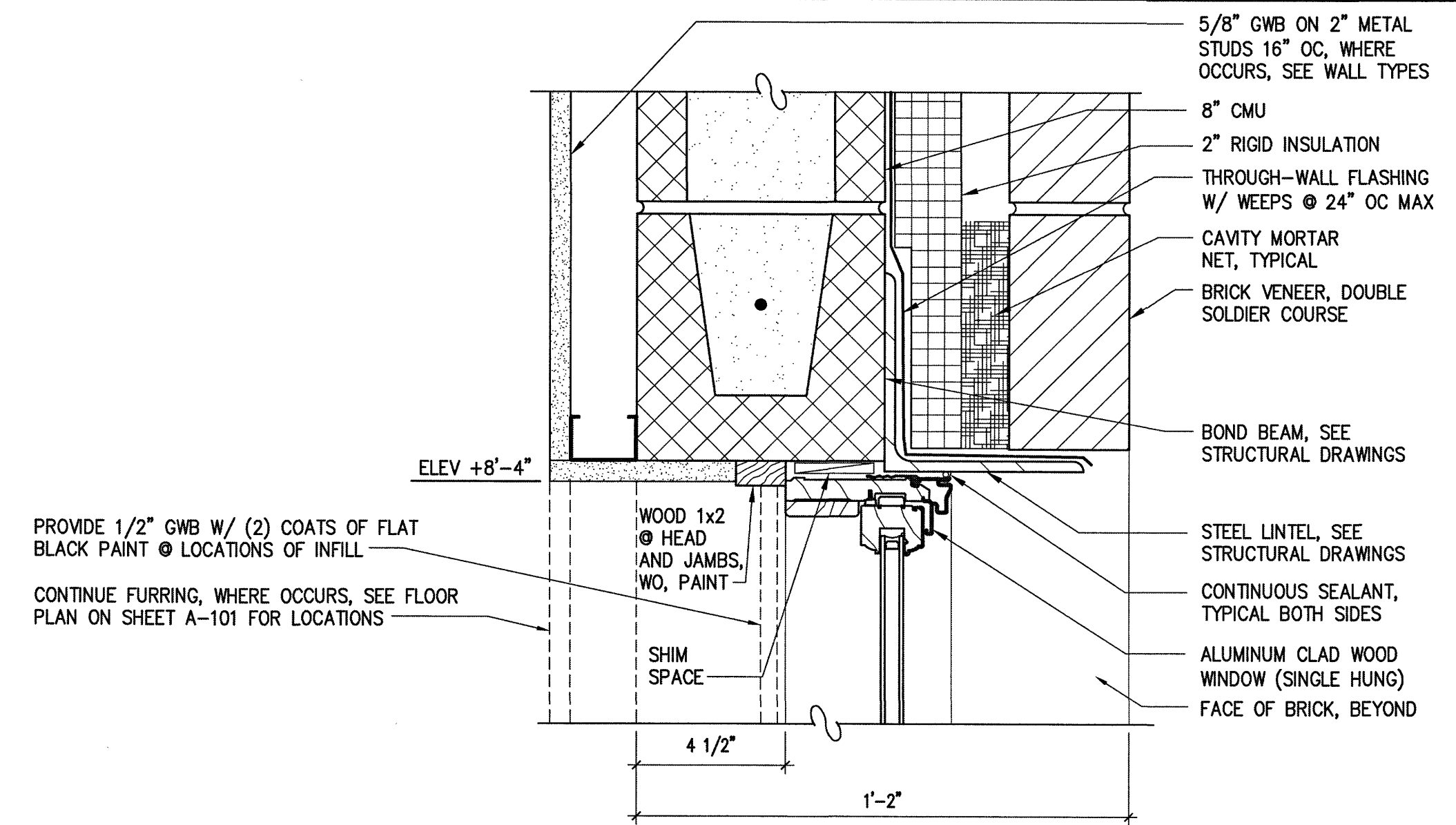




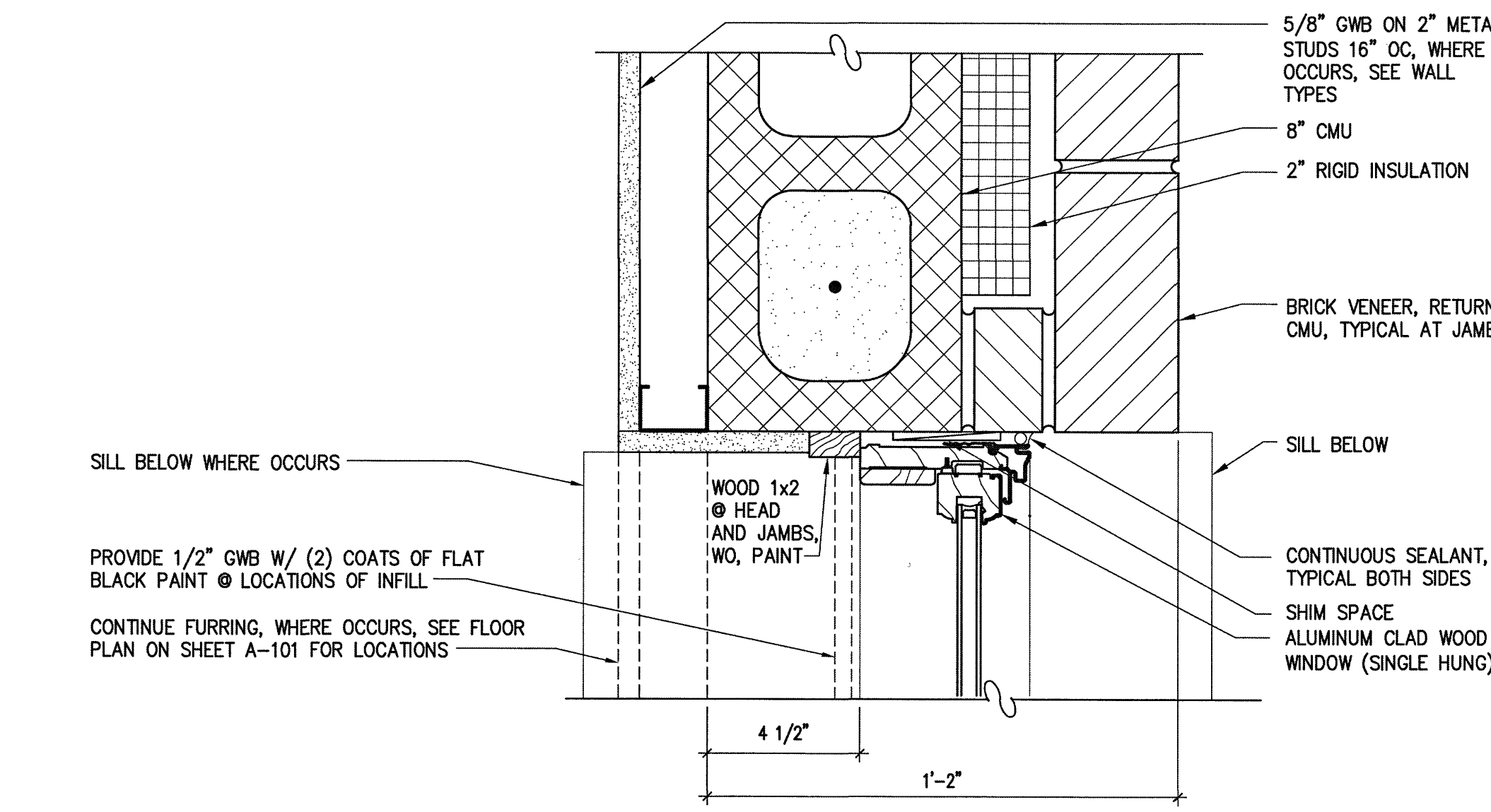
| NO. | DATE | DESCRIPTION |
|-----|------|-------------|
| | | |
| | | |
| | | |
| | | |
| | | |
| | | |
| | | |
| | | |
| | | |

| | |
|-------------------|------------|
| COMMISSION NUMBER | 2160310 |
| SCALE: | AS NOTED |
| DESIGNED: | RTL |
| DRAWN: | KAH |
| CHECKED: | DFB |
| DATE: | 10.28.2016 |

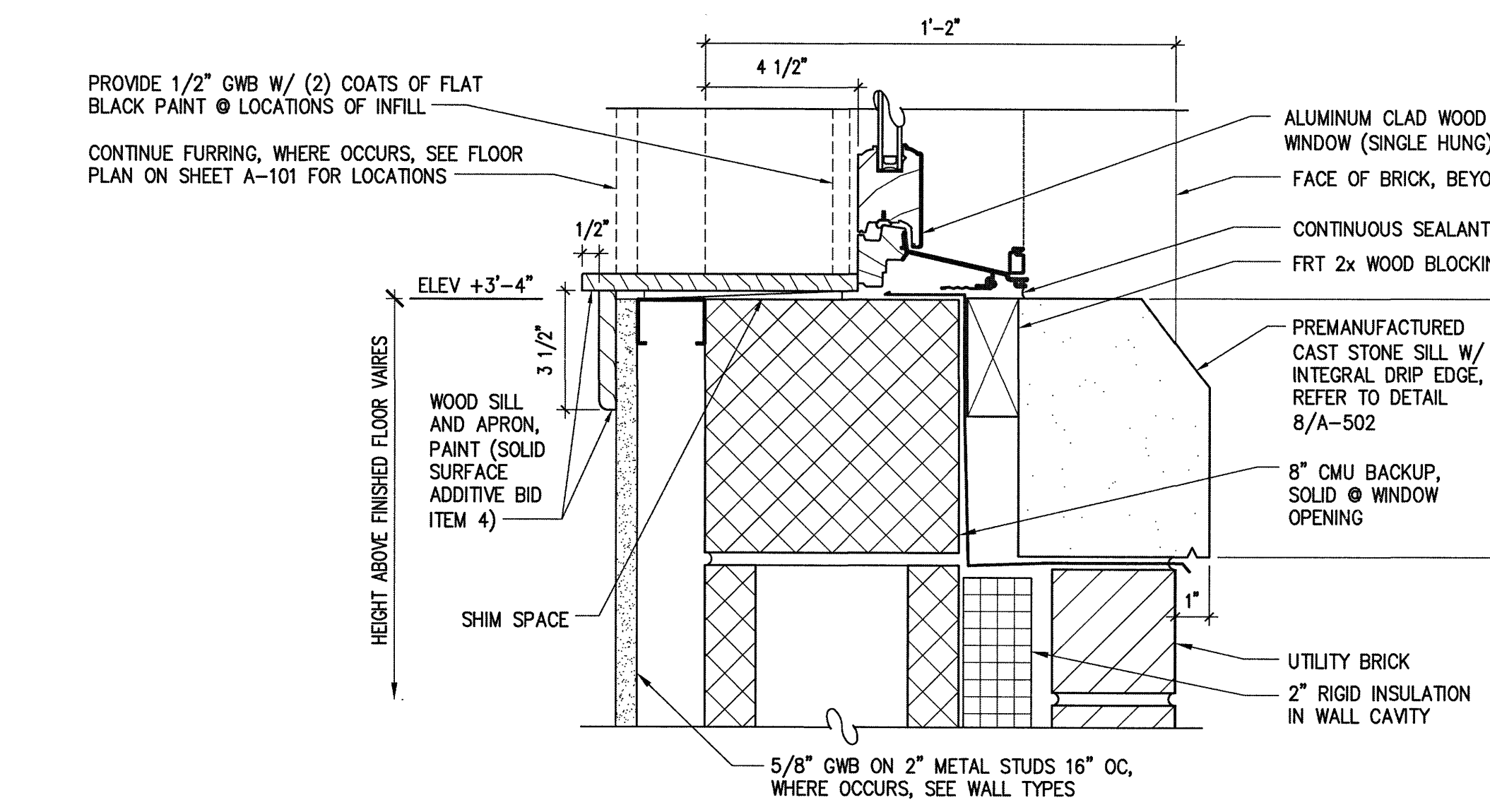
THIS DOCUMENT CONTAINS INFORMATION PROPRIETARY TO DJG, INC. AND IS FURNISHED IN CONFIDENCE AS AN INSTRUMENT OF SERVICE FOR THE LIMITED PURPOSE OF EVALUATION, BIDDING AND REVIEW. REPRODUCTION OF THIS DOCUMENT IN WHOLE OR IN PART, OR THE MODIFICATION OF ANY DETAIL OR DESIGN WITHOUT THE EXPRESSED WRITTEN CONSENT OF DJG, INC. IS PROHIBITED. ALL RIGHTS RESERVED. COPYRIGHT DJG, INC. (C) 2016.



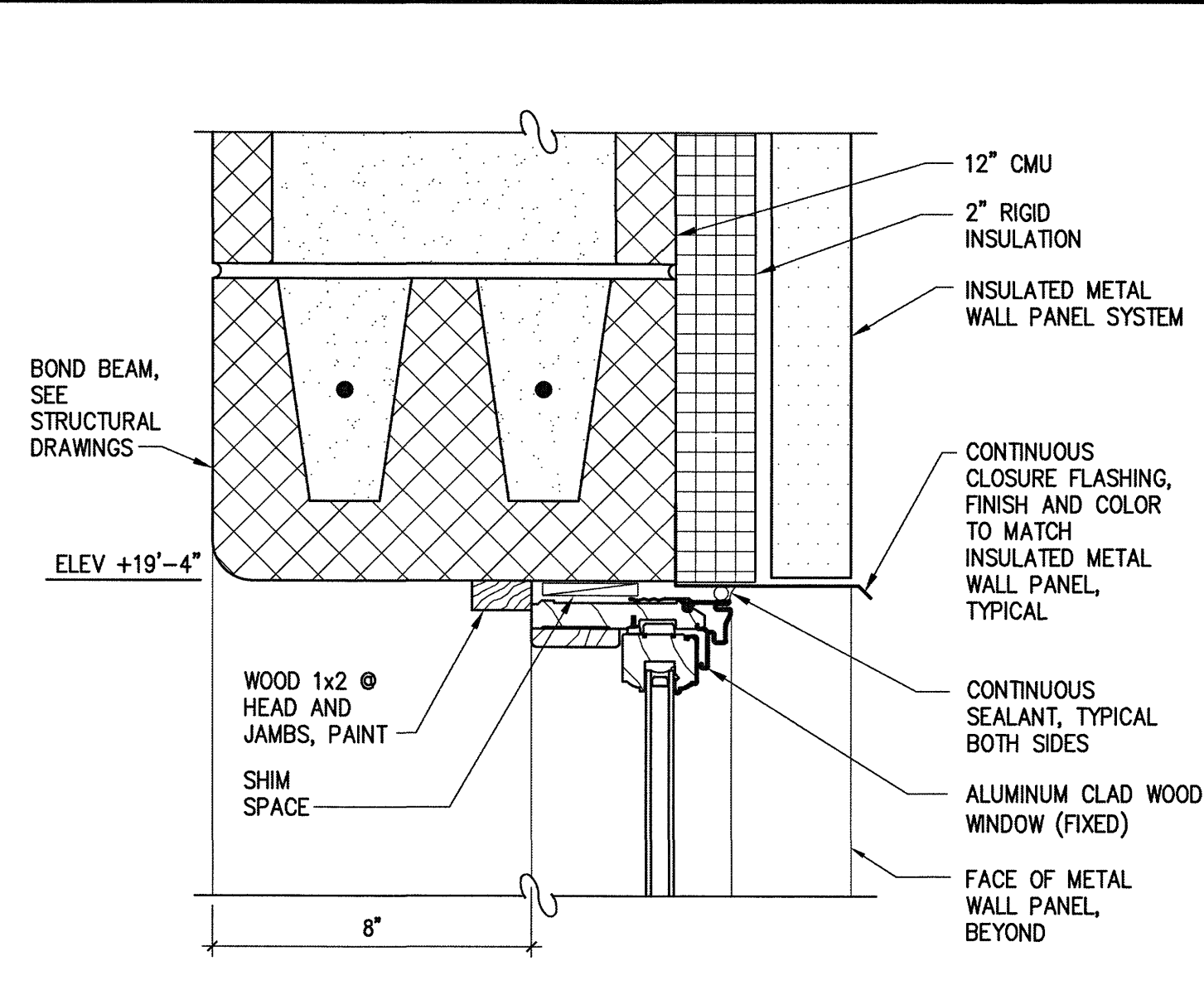
1 EXTERIOR WINDOW HEAD
SCALE: 3" = 1'-0"



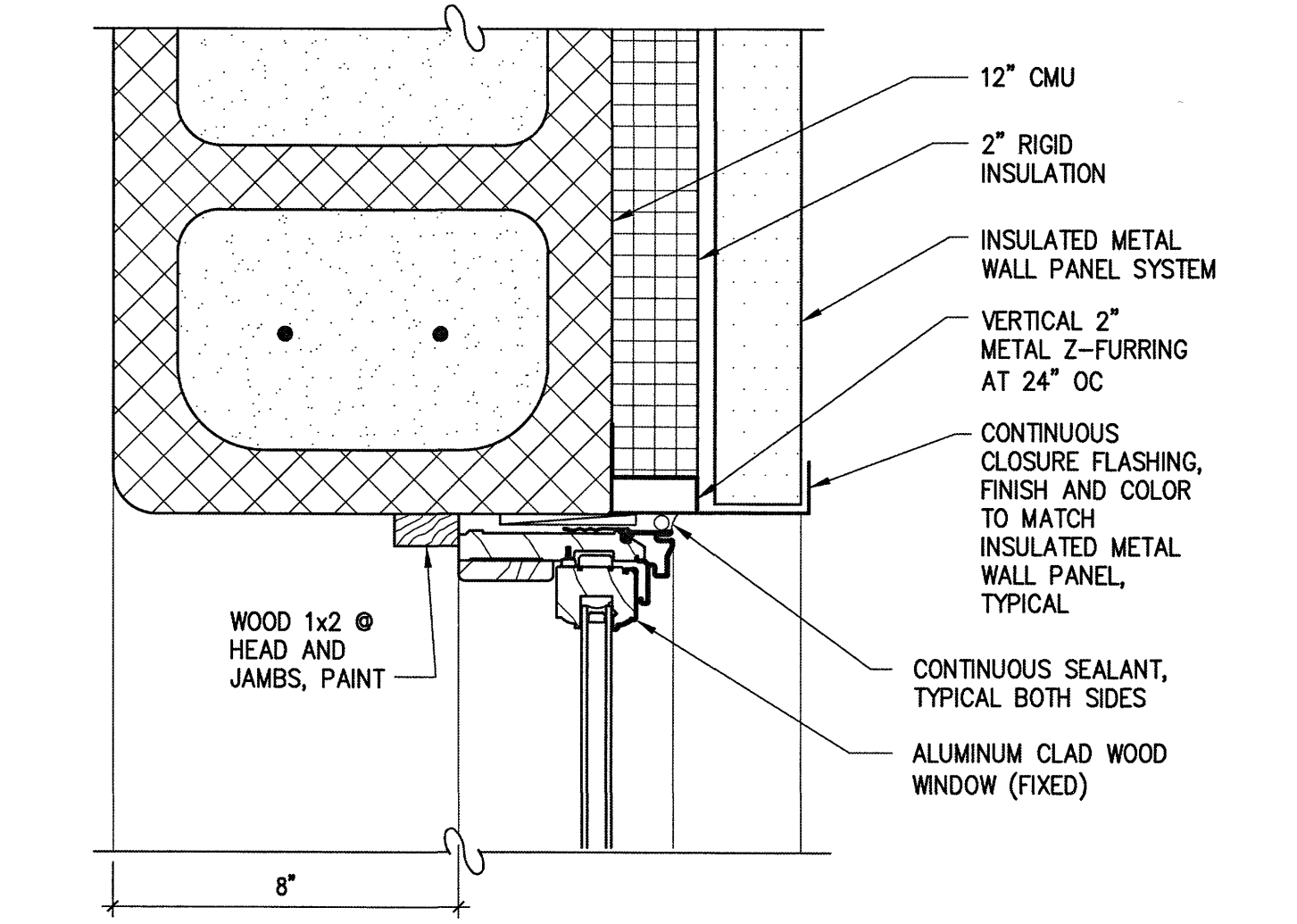
2 EXTERIOR WINDOW HEAD @ APP BAY
SCALE: 3" = 1'-0"



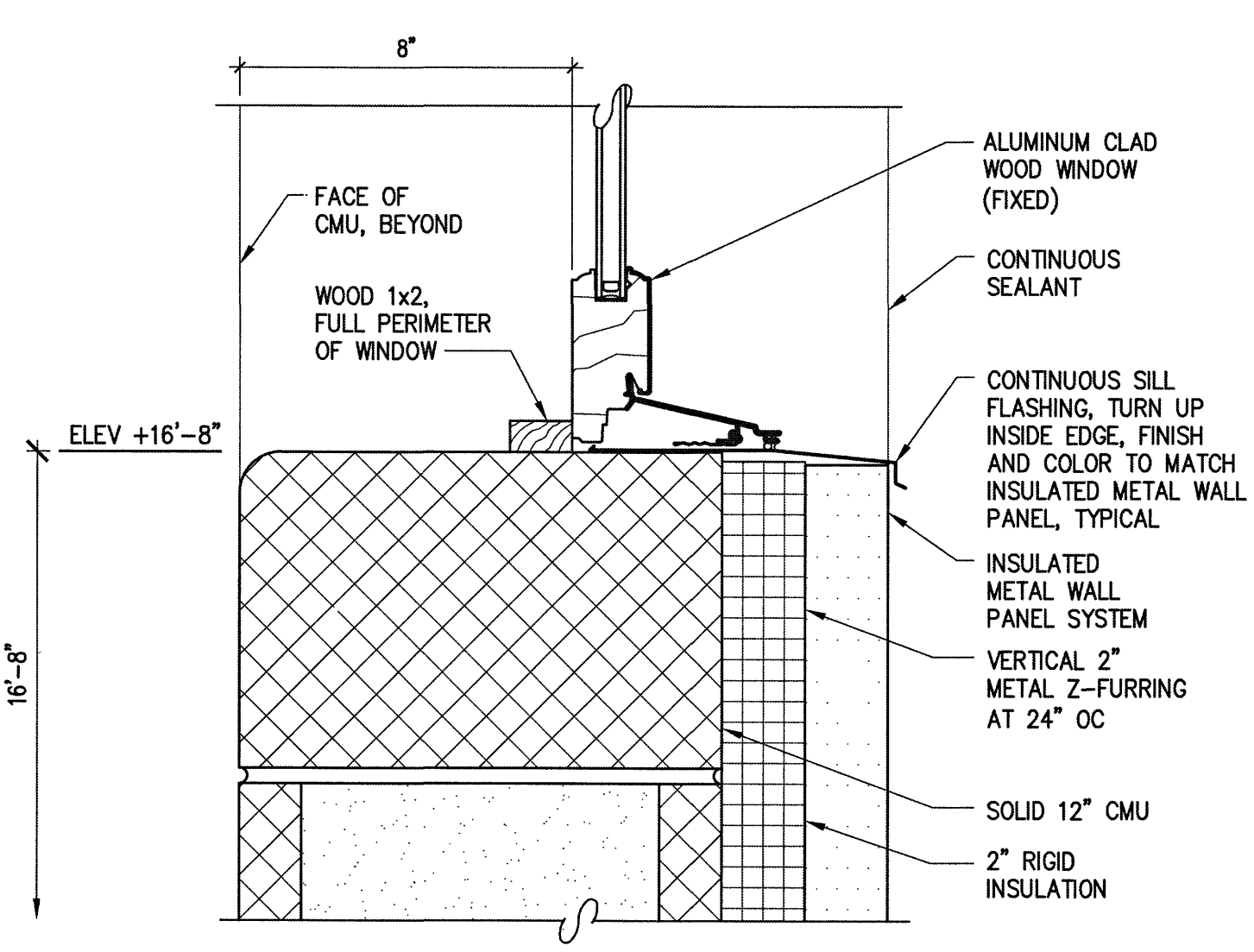
3 EXTERIOR WINDOW JAMB
SCALE: 3" = 1'-0"



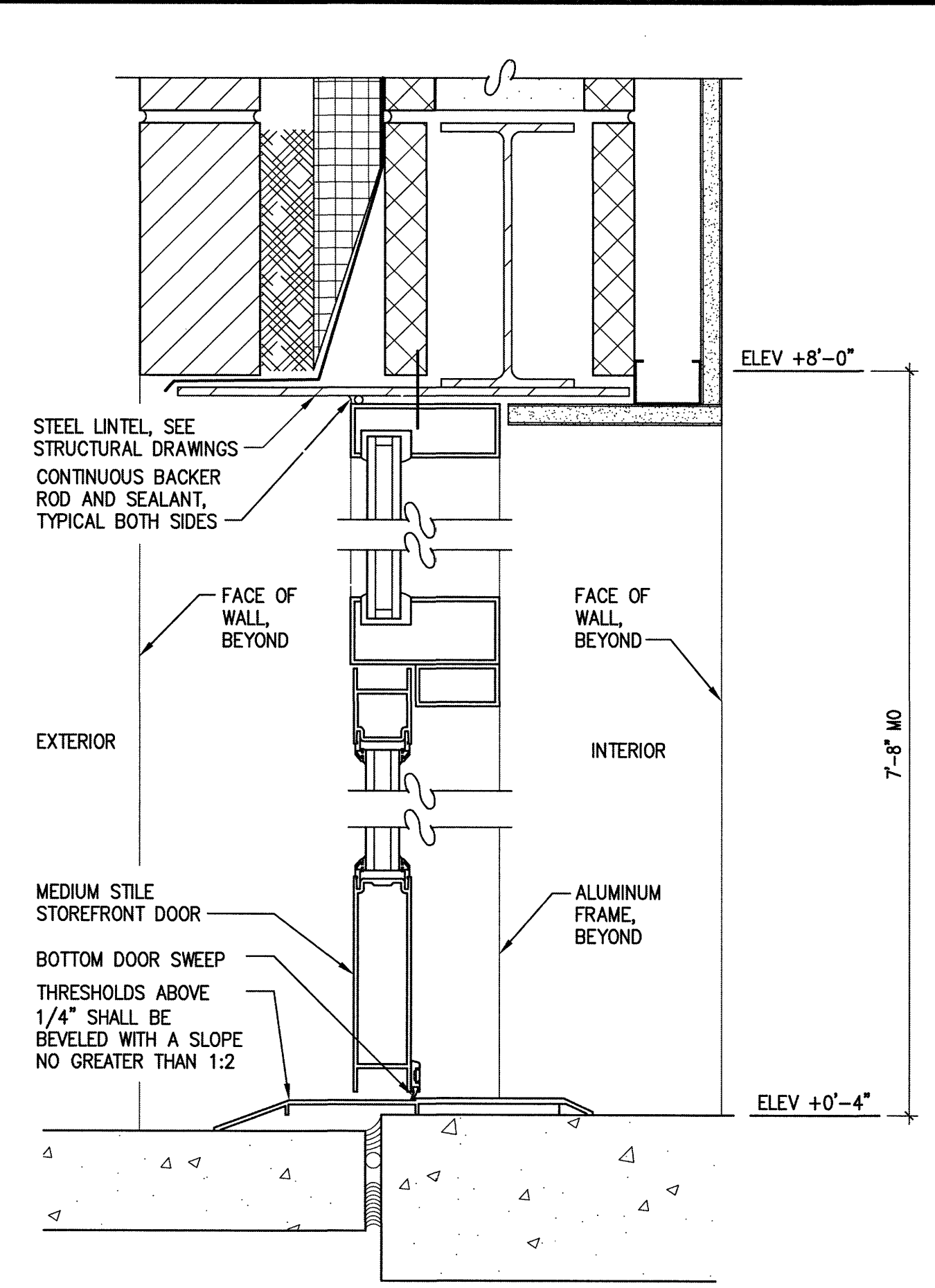
4 EXTERIOR WINDOW HEAD @ APP BAY
SCALE: 3" = 1'-0"



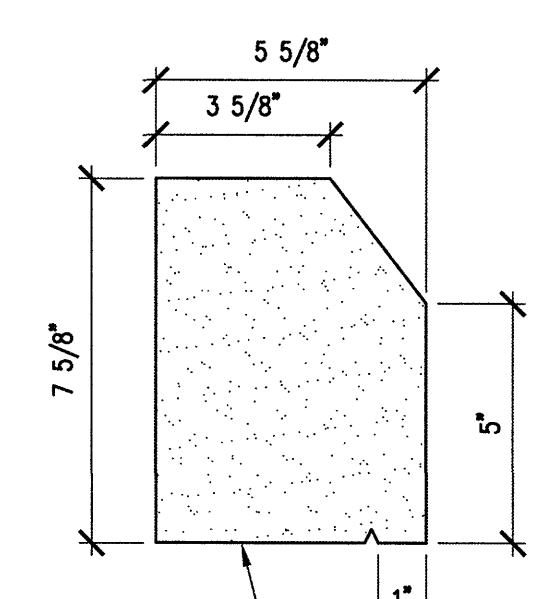
5 EXTERIOR WINDOW JAMB @ APP BAY
SCALE: 3" = 1'-0"



6 EXTERIOR WINDOW SILL @ APP BAY
SCALE: 3" = 1'-0"

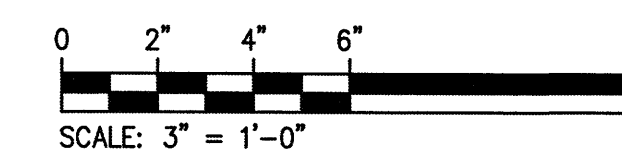


7 STOREFRONT HEAD AND SILL
SCALE: 3" = 1'-0"



8 SILL PROFILE
SCALE: 3" = 1'-0"

PREMANUFACTURED CAST STONE SILL W/ INTEGRAL DRIP EDGE IN MANUFACTURER'S STANDARD 4'-0" LENGTHS, BY READING ROCK, ROCKCAST MOLD # SL-375, OR APPROVED EQUAL



SCALE: 3" = 1'-0"