



ENGINEERS
ARCHITECTS
PLANNERS

449 McLAWS CIRCLE
WILLIAMSBURG, VA 23185
(757) 253-0673 VOICE
(757) 253-2319 FAX
www.djginc.com



COUNTY OF ALBEMARLE

PANTOPS
PUBLIC SAFETY
FACILITY

IFB # 2017-11223-20

CHARLOTTEVILLE,
VIRGINIA

REVISIONS

| DATE | DESCRIPTION |
|------|-------------------------------------|
| | COMMISSION NUMBER 2160310 |
| | SCALE: AS NOTED |
| | DESIGNED: RTL |
| | DRAWN: RTL |
| | CHECKED: DFB |
| | DATE: 10.28.2016 |

THIS DOCUMENT CONTAINS INFORMATION PROPRIETARY TO DJG, INC. AND IS FURNISHED IN CONFIDENCE AS AN INSTRUMENT OF SERVICE FOR THE LIMITED PURPOSE OF EVALUATION, DESIGN AND REVIEW. NO CONSTRUCTION OF ANY DETAIL OR DESIGN REPRODUCTION OF THIS DOCUMENT IN WHOLE OR IN PART, OR THE MODIFICATION OR ALTERATION OF ANY DETAIL OR DESIGN WITHOUT THE EXPRESSED WRITTEN CONSENT OF DJG, INC. IS PROHIBITED. ALL RIGHTS RESERVED. COPYRIGHT DJG, INC. (C) 2016.

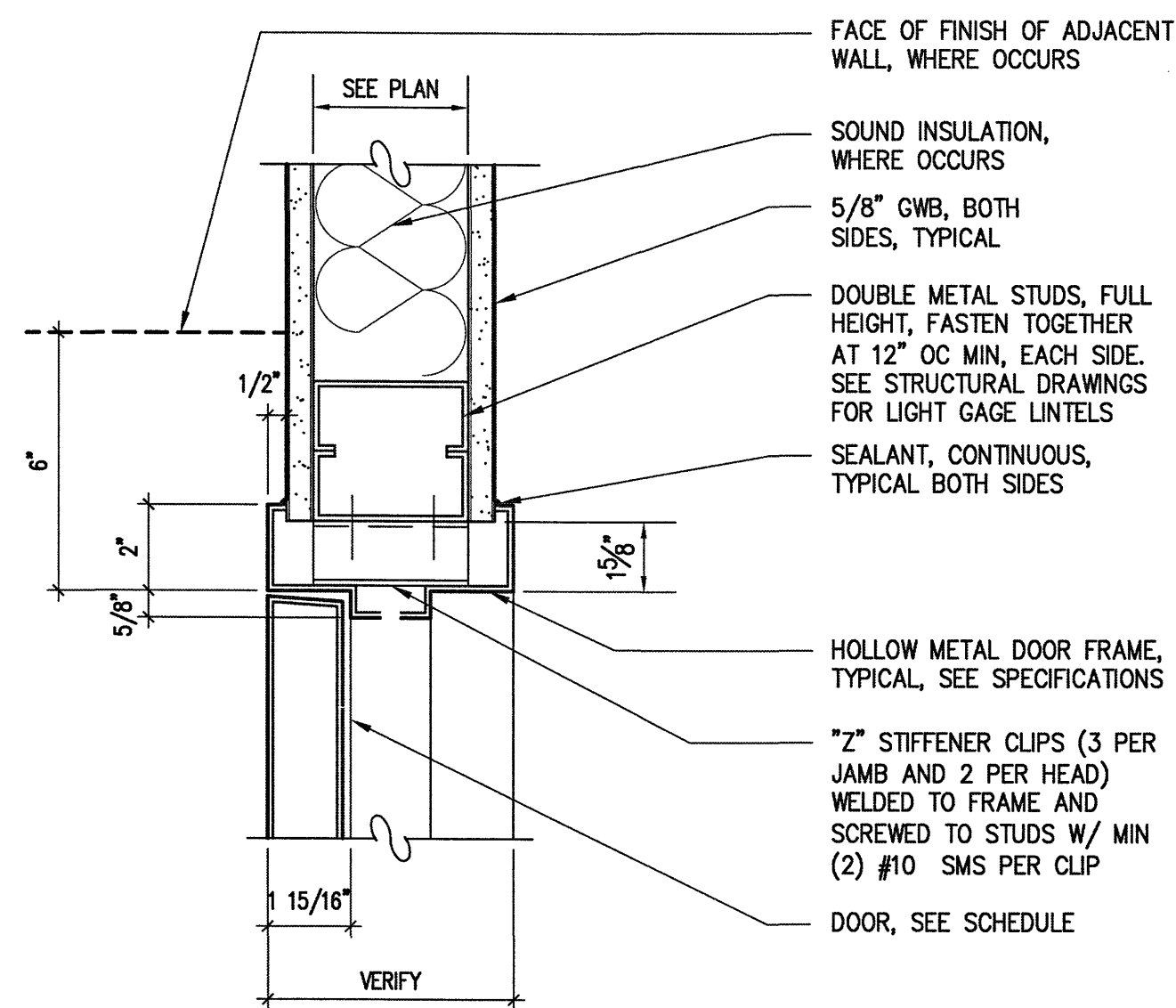
SHEET TITLE

DOOR DETAILS

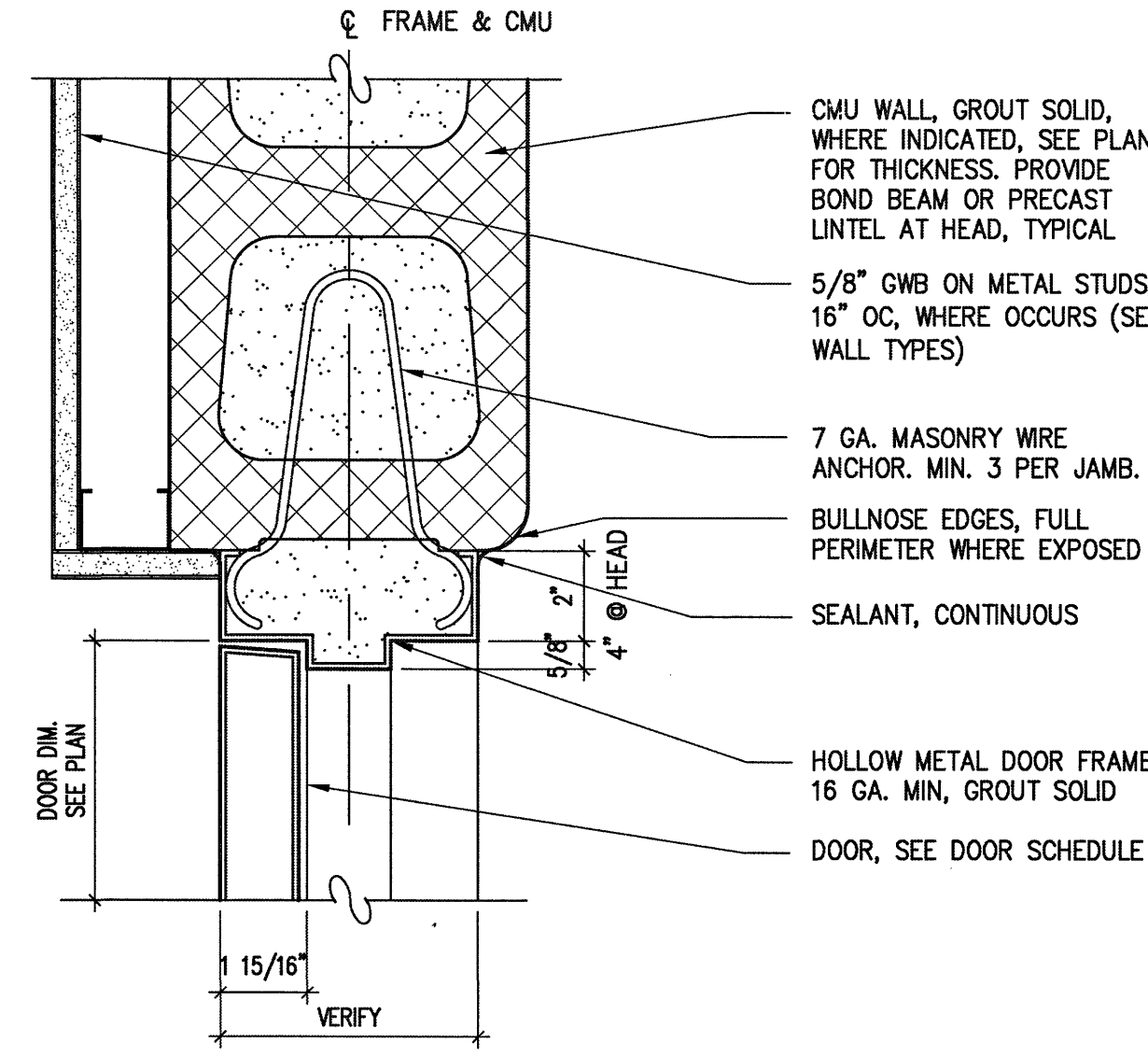
SHEET NUMBER

A-501

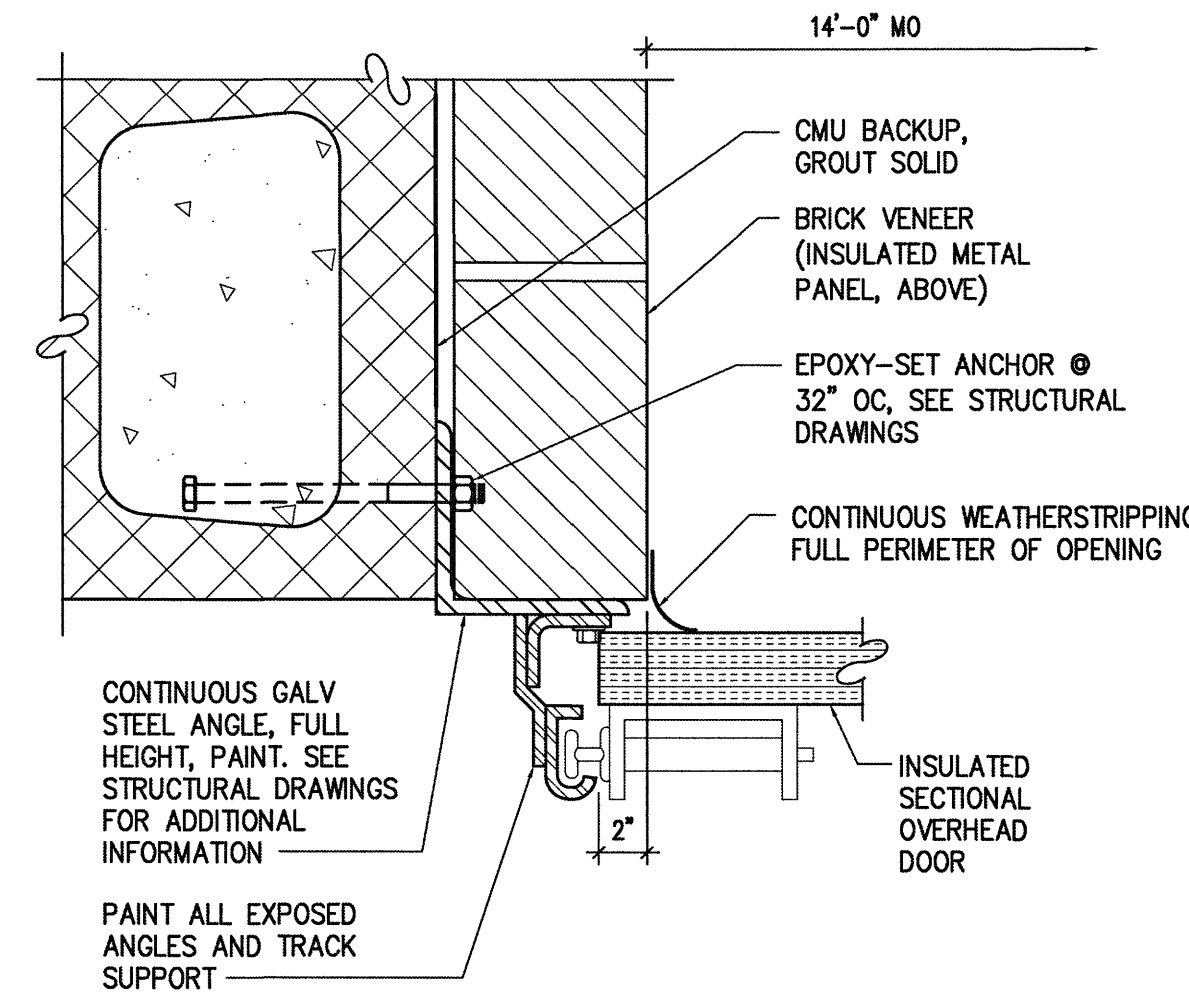
32 OF 68



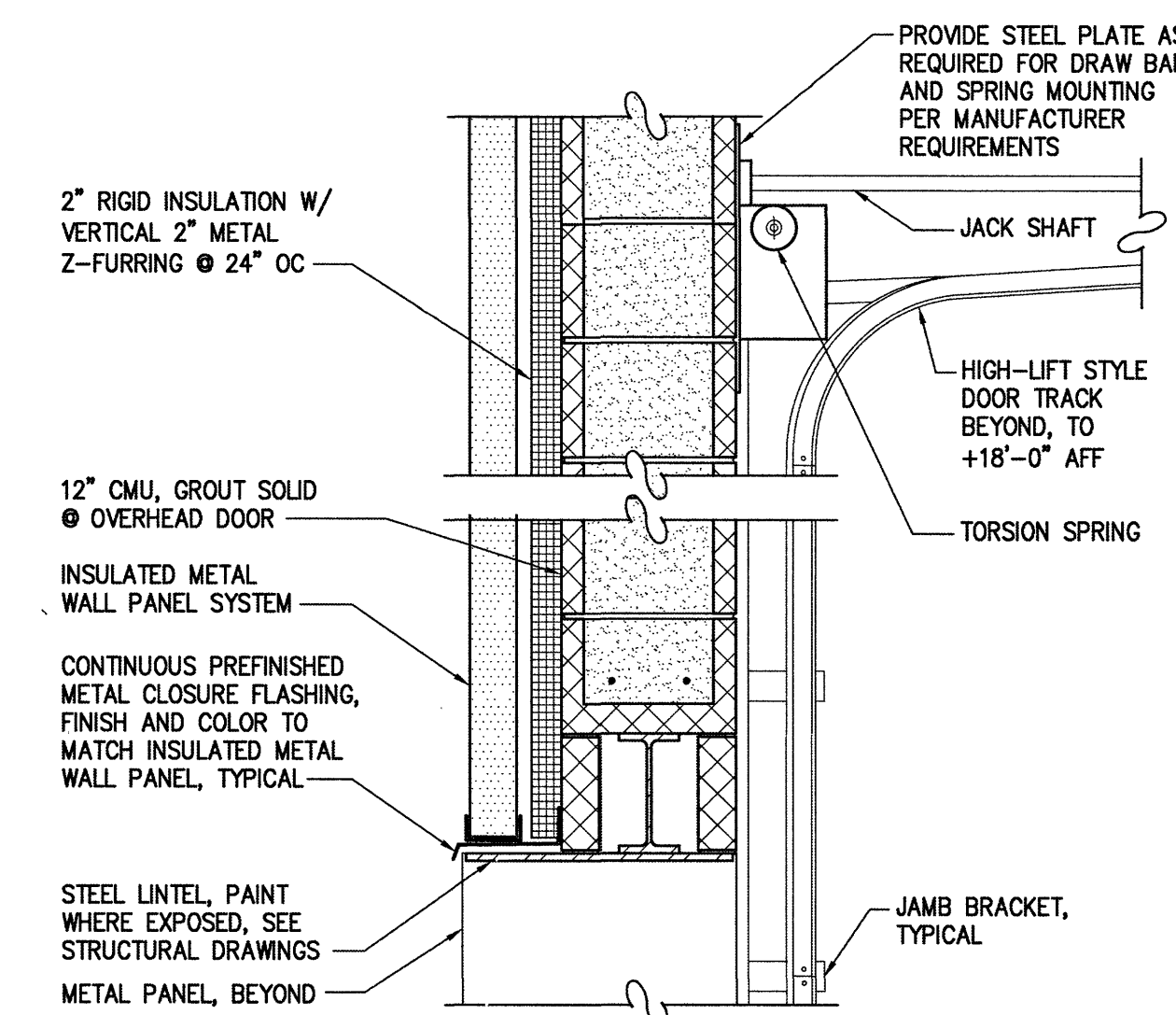
1 DOOR JAMB @ STUD WALL (HEAD SIM)
SCALE: 3" = 1'-0"



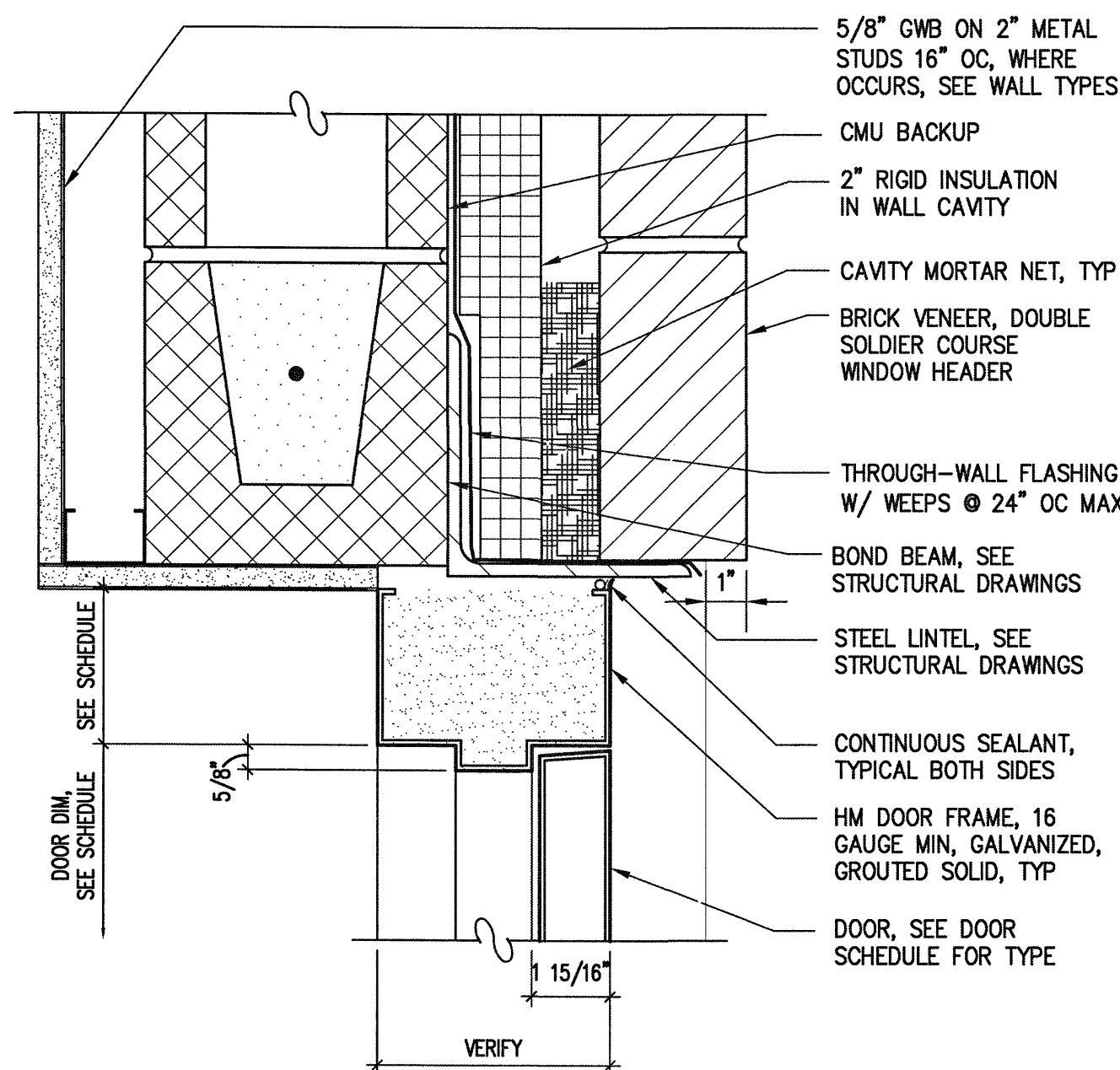
2 DOOR JAMB (HEAD SIM) @ CMU WALL
SCALE: 3" = 1'-0"



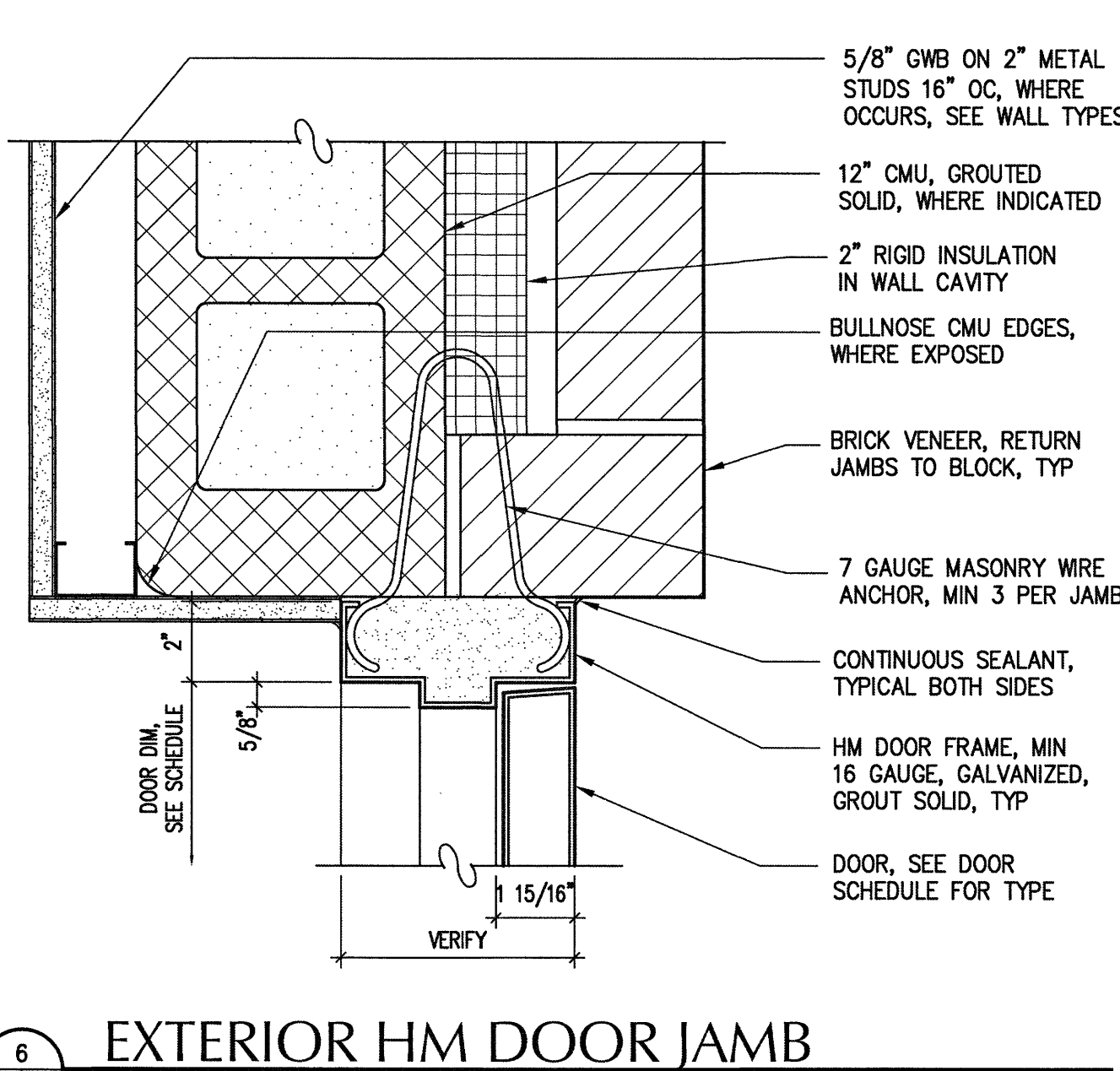
3 OVERHEAD DOOR JAMB
SCALE: 3" = 1'-0"



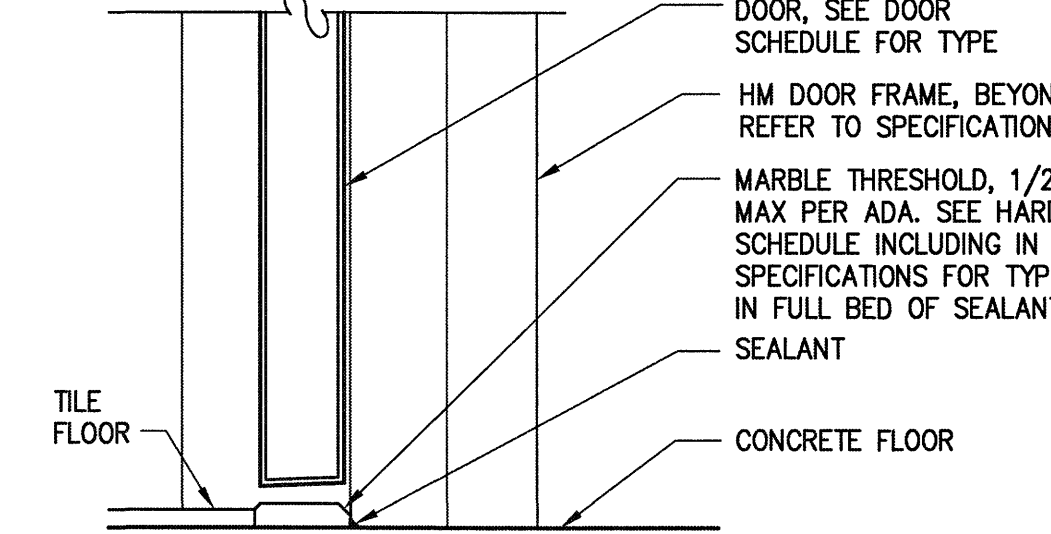
4 OVERHEAD DOOR DETAIL (HEAD)
SCALE: 1" = 1'-0"



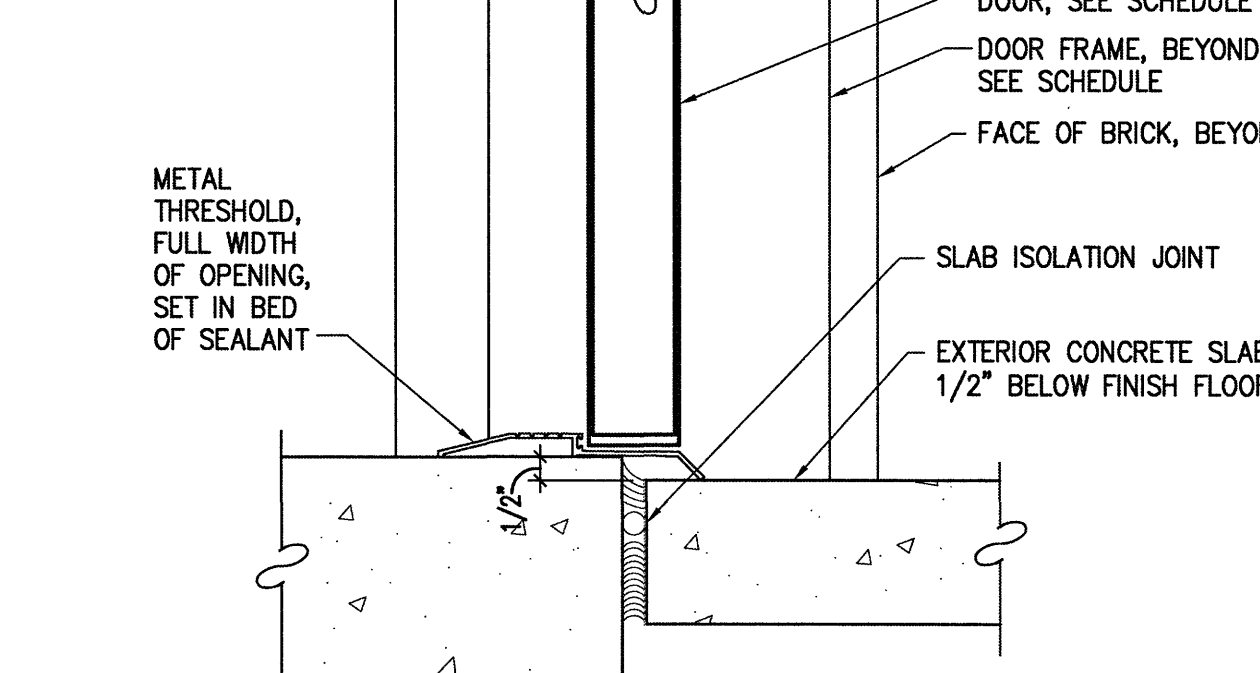
5 EXTERIOR HM DOOR HEAD
SCALE: 3" = 1'-0"



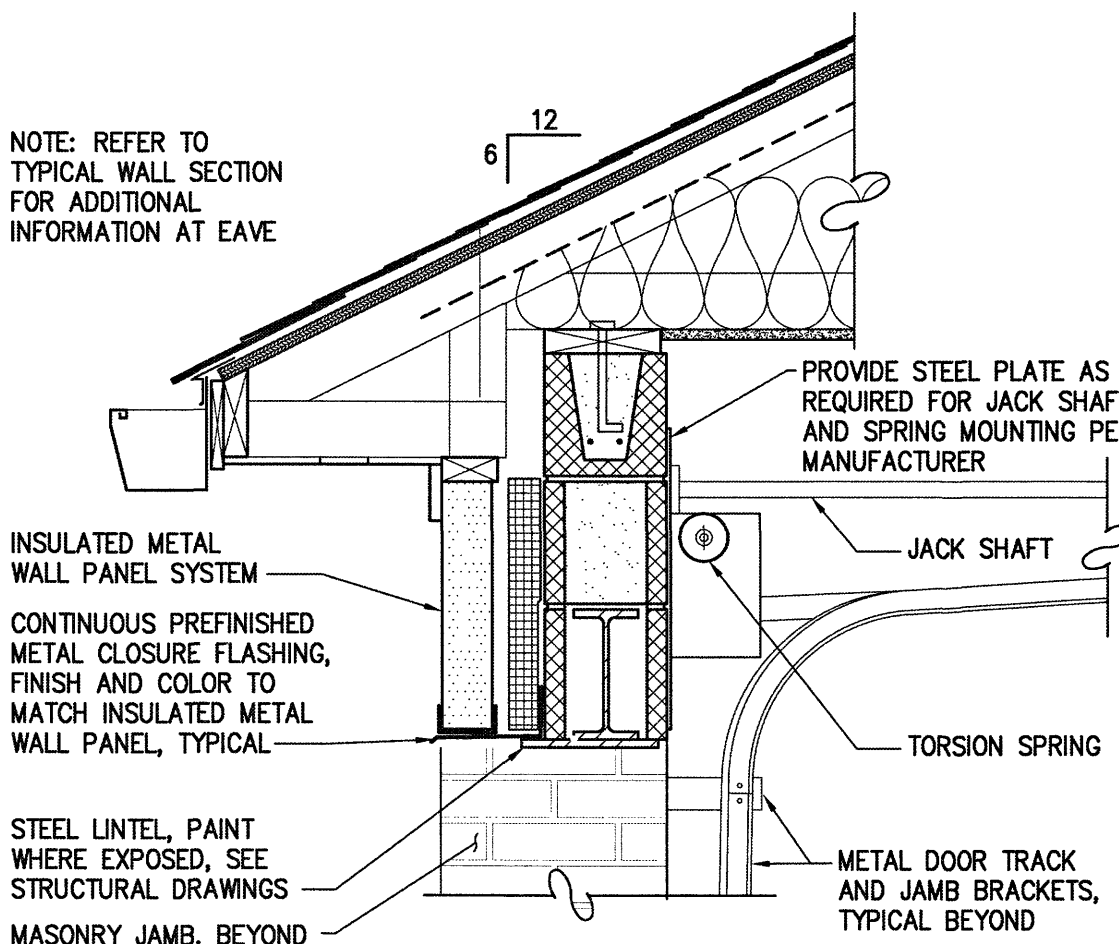
6 EXTERIOR HM DOOR JAMB
SCALE: 3" = 1'-0"



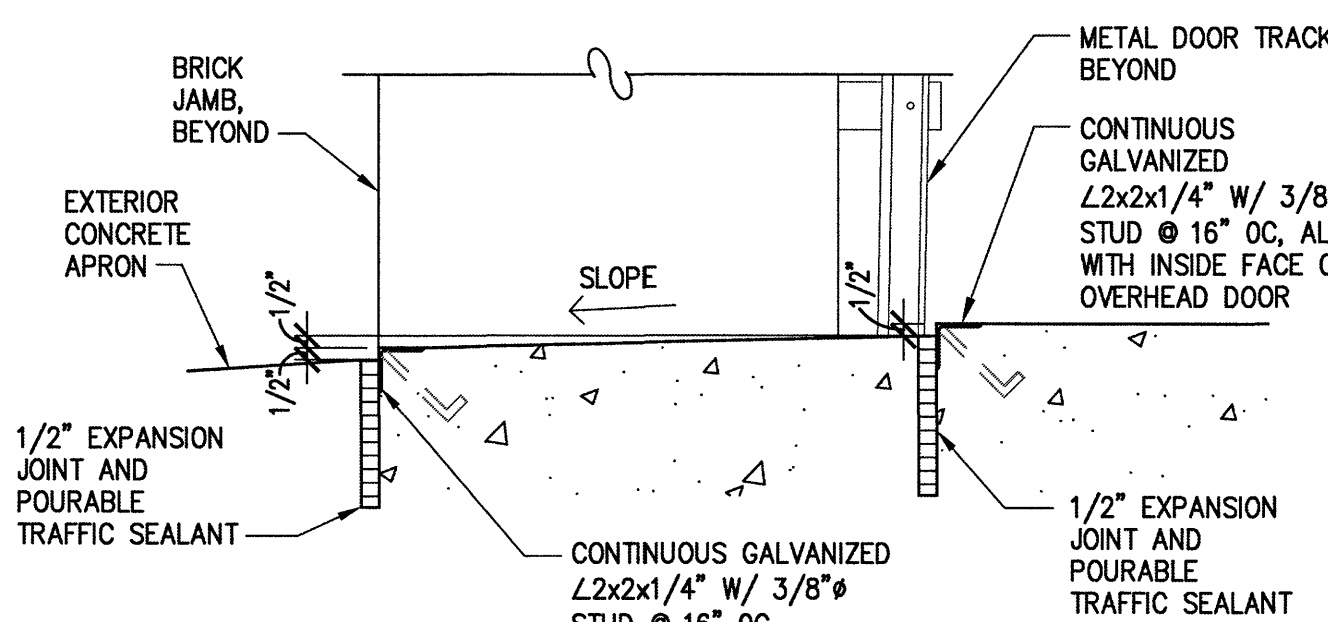
7 MARBLE THRESHOLD
SCALE: 3" = 1'-0"



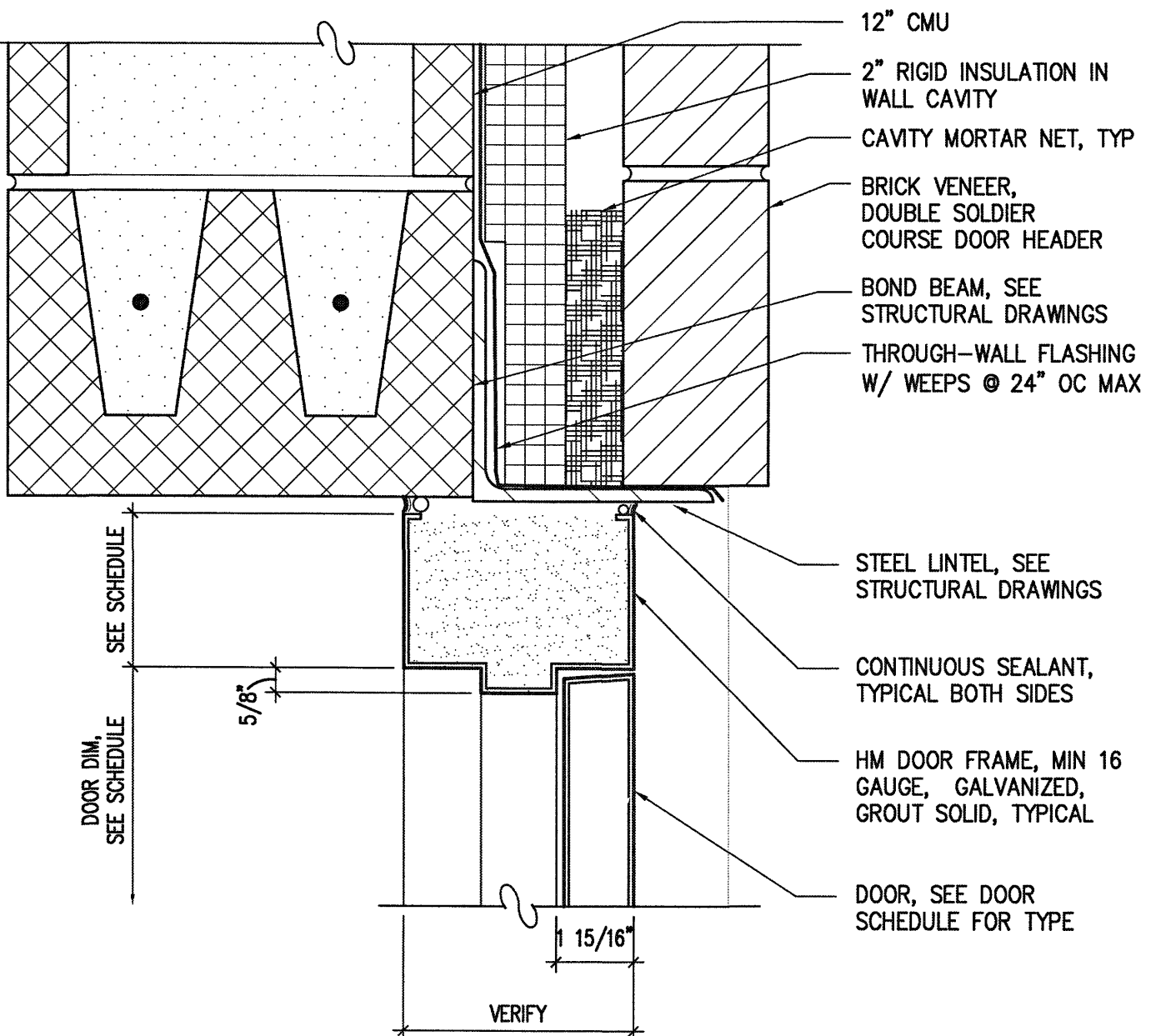
8 METAL THRESHOLD DETAIL
SCALE: 3" = 1'-0"



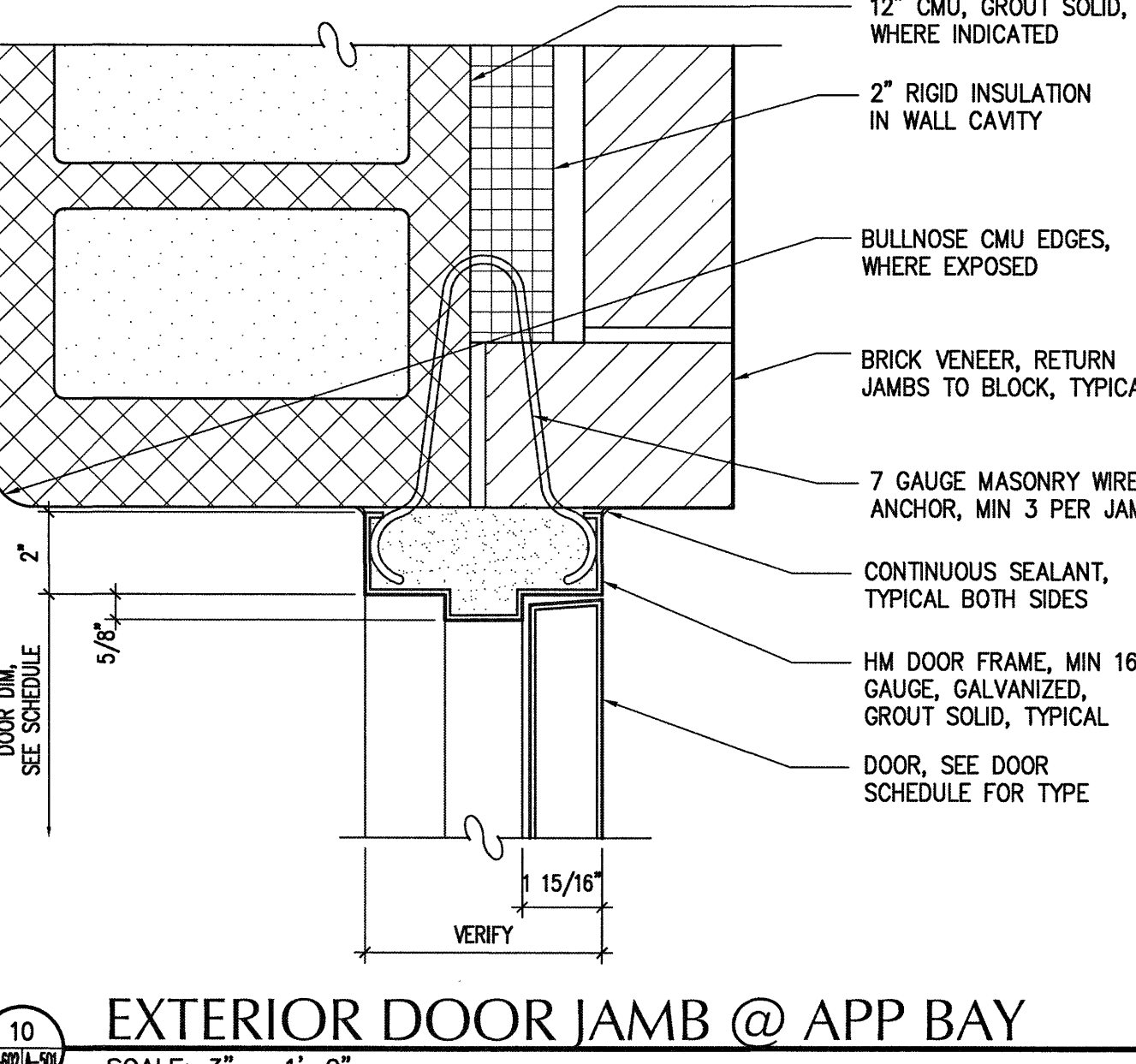
11 OVERHEAD DOOR DETAIL (HEAD) MAINTENANCE BUILDING
SCALE: 1" = 1'-0"



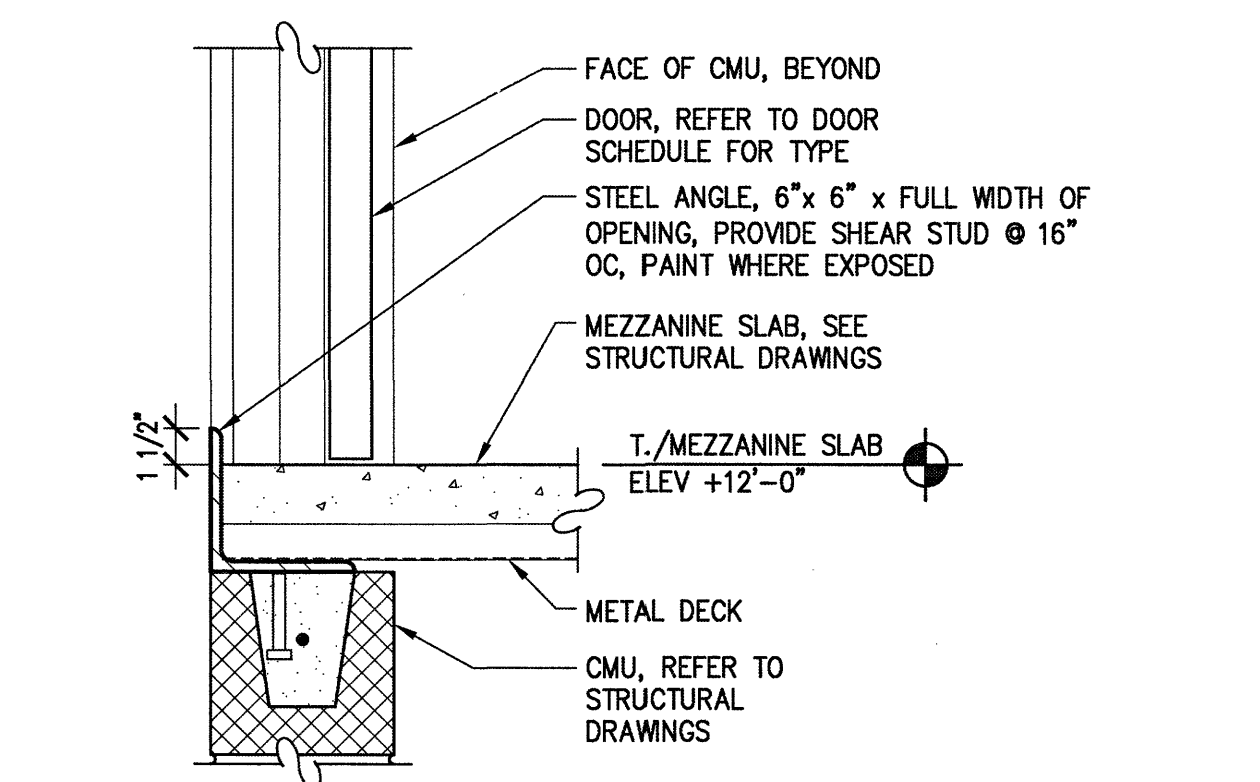
12 OVERHEAD DOOR SILL DETAIL
SCALE: 1 1/2" = 1'-0"



9 EXTERIOR DOOR HEAD @ APP BAY
SCALE: 3" = 1'-0"



10 EXTERIOR DOOR JAMB @ APP BAY
SCALE: 3" = 1'-0"



13 MEZZANINE DOOR SILL DETAIL
SCALE: 1 1/2" = 1'-0"

