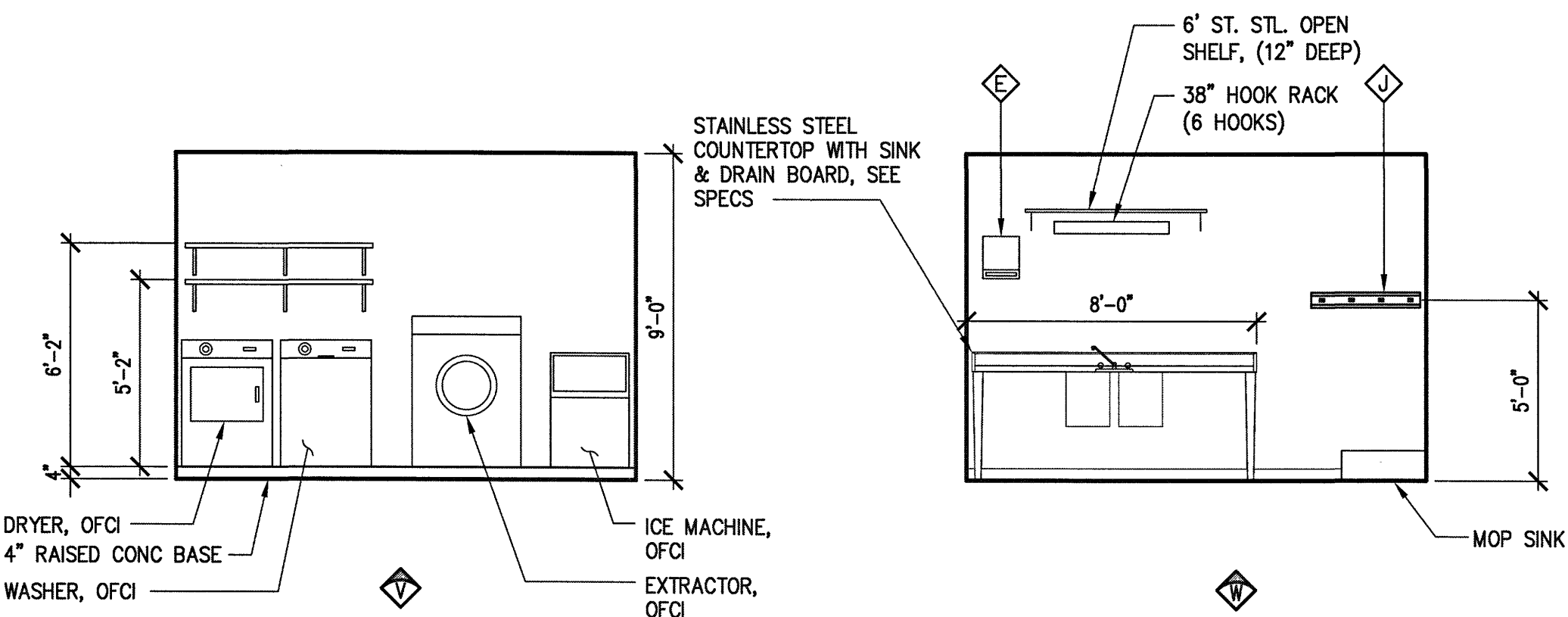




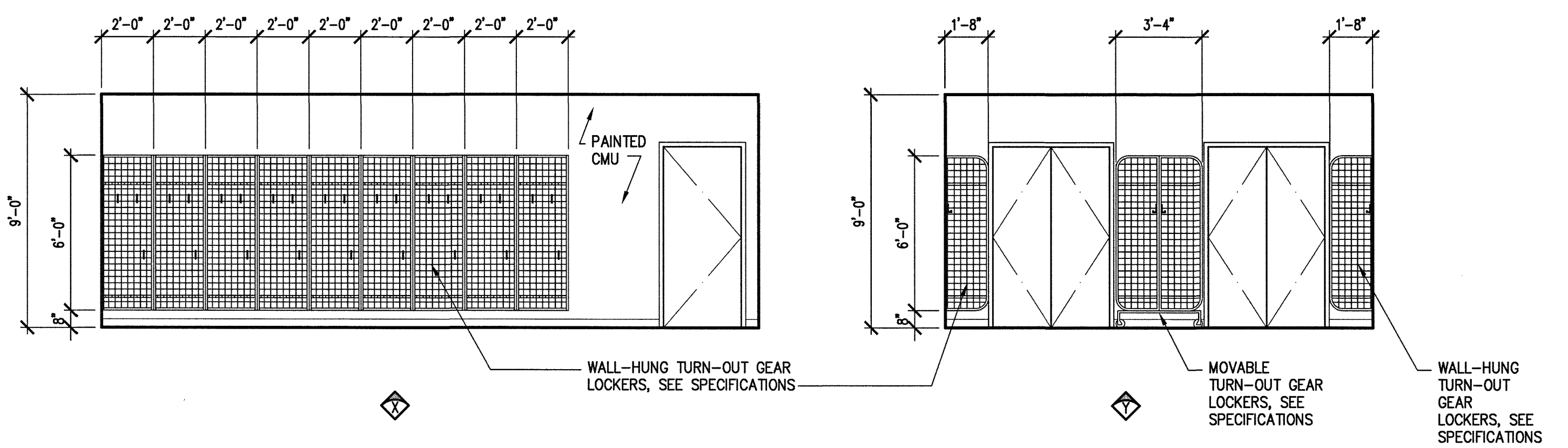
NO.	DATE	DESCRIPTION

DATE	DESCRIPTION
COMMISSION NUMBER	2160310
SCALE	AS NOTED
DESIGNED	KAH
DRAWN	KAH
CHECKED	DFB
DATE	10.28.2016

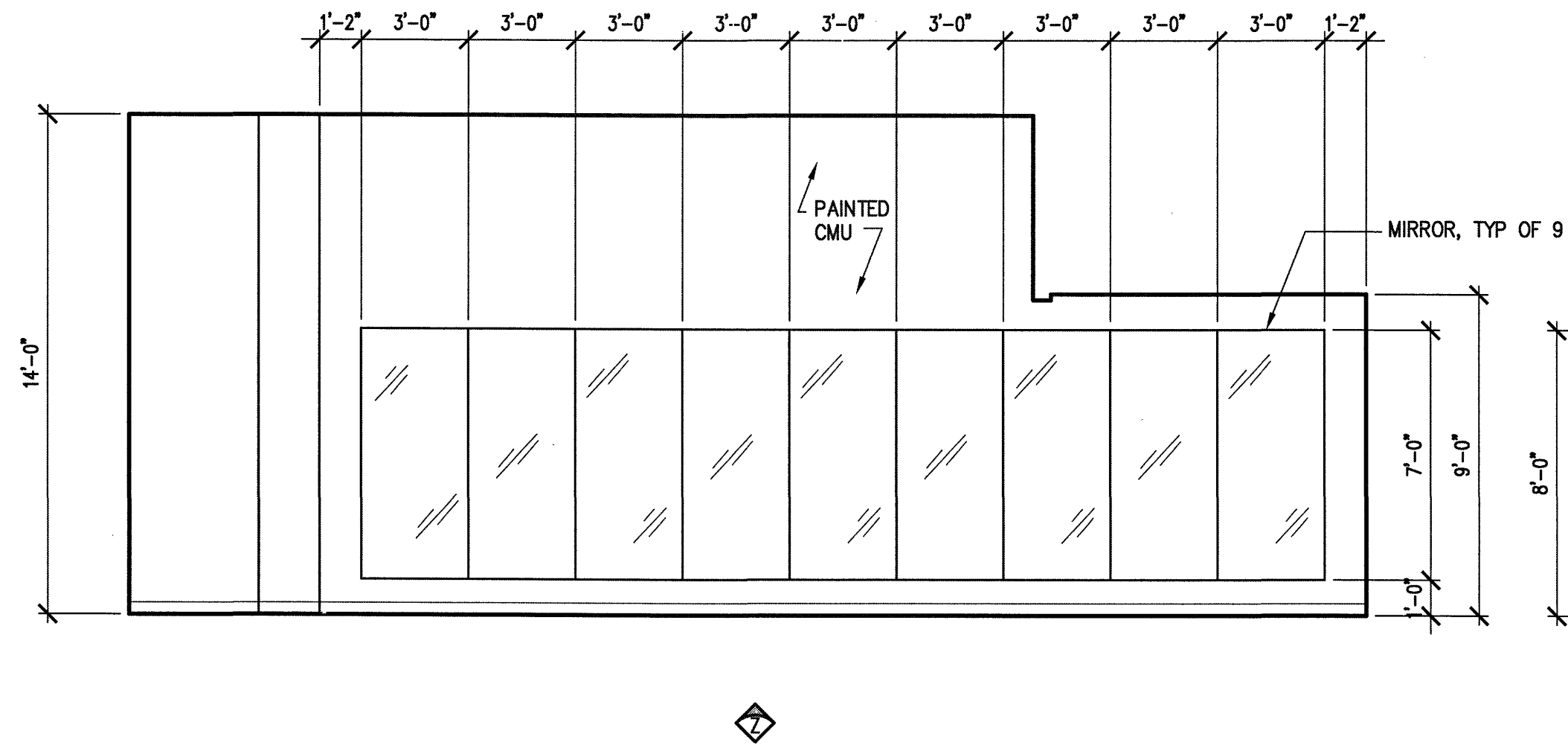
THIS DOCUMENT CONTAINS INFORMATION PROPRIETARY TO DJG, INC. AND IS FURNISHED IN CONFIDENCE AS AN INSTRUMENT OF SERVICE FOR THE LIMITED PURPOSE OF EVALUATION, BIDDING AND REVIEW OR CONSTRUCTION OF A SPECIFIC PROJECT. REPRODUCTION OF THIS DOCUMENT, IN WHOLE OR IN PART, OR THE MODIFICATION OF ANY DETAIL OR DESIGN WITHOUT THE EXPRESSED WRITTEN CONSENT OF DJG, INC. IS PROHIBITED. ALL RIGHTS RESERVED. COPYRIGHT DJG, INC. (S) 2016.



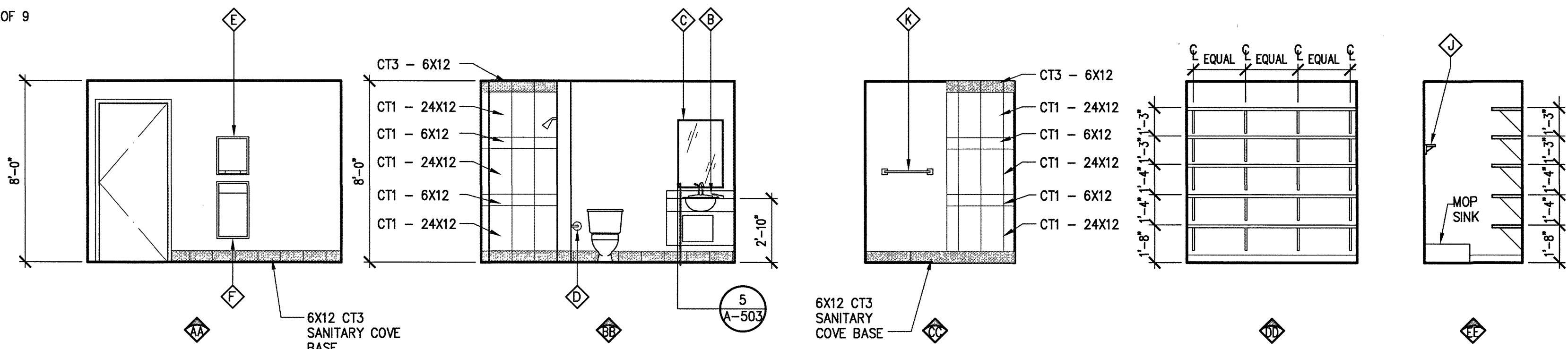
DECONTAMINATION
ROOM: 126



TURN-OUT GEAR
ROOM: 128



FITNESS ROOM
ROOM: 132



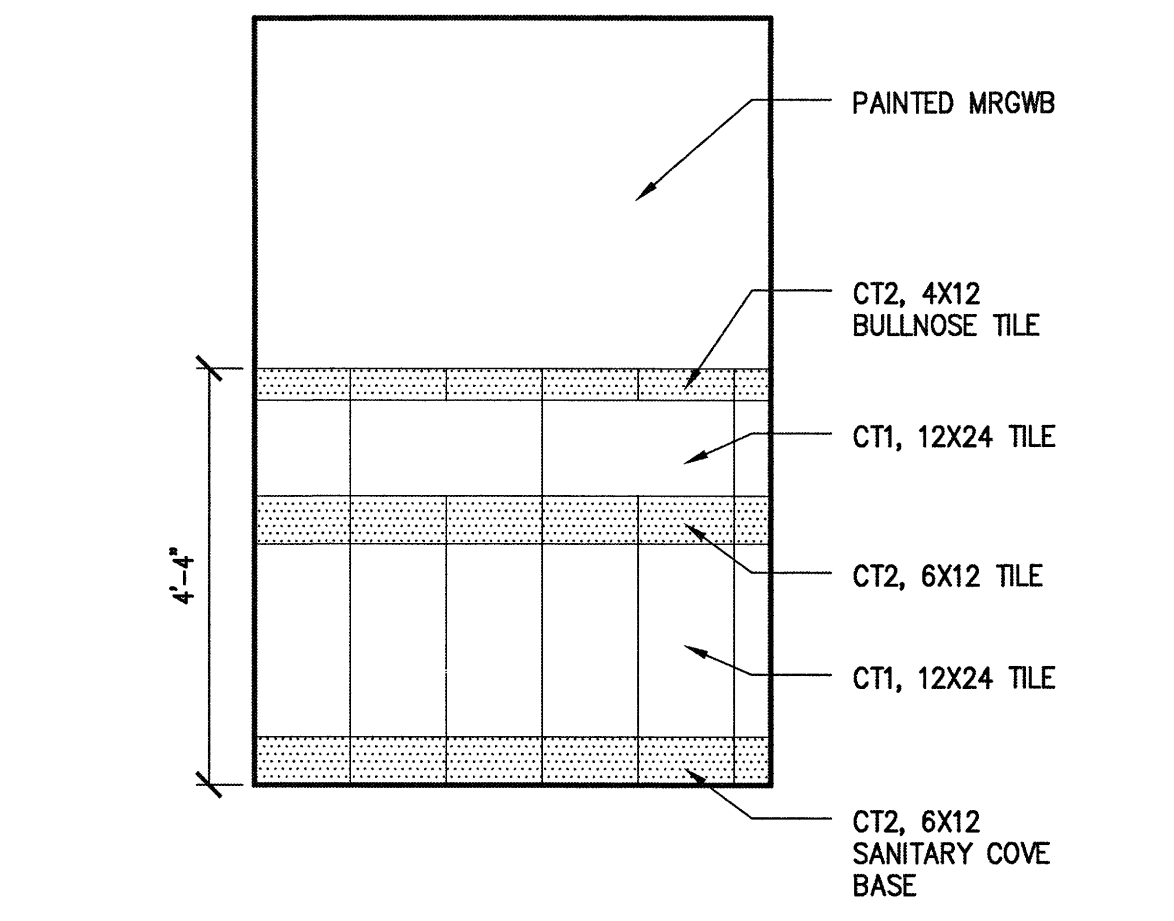
TOILET
ROOM: 135

STORAGE
ROOM: 117

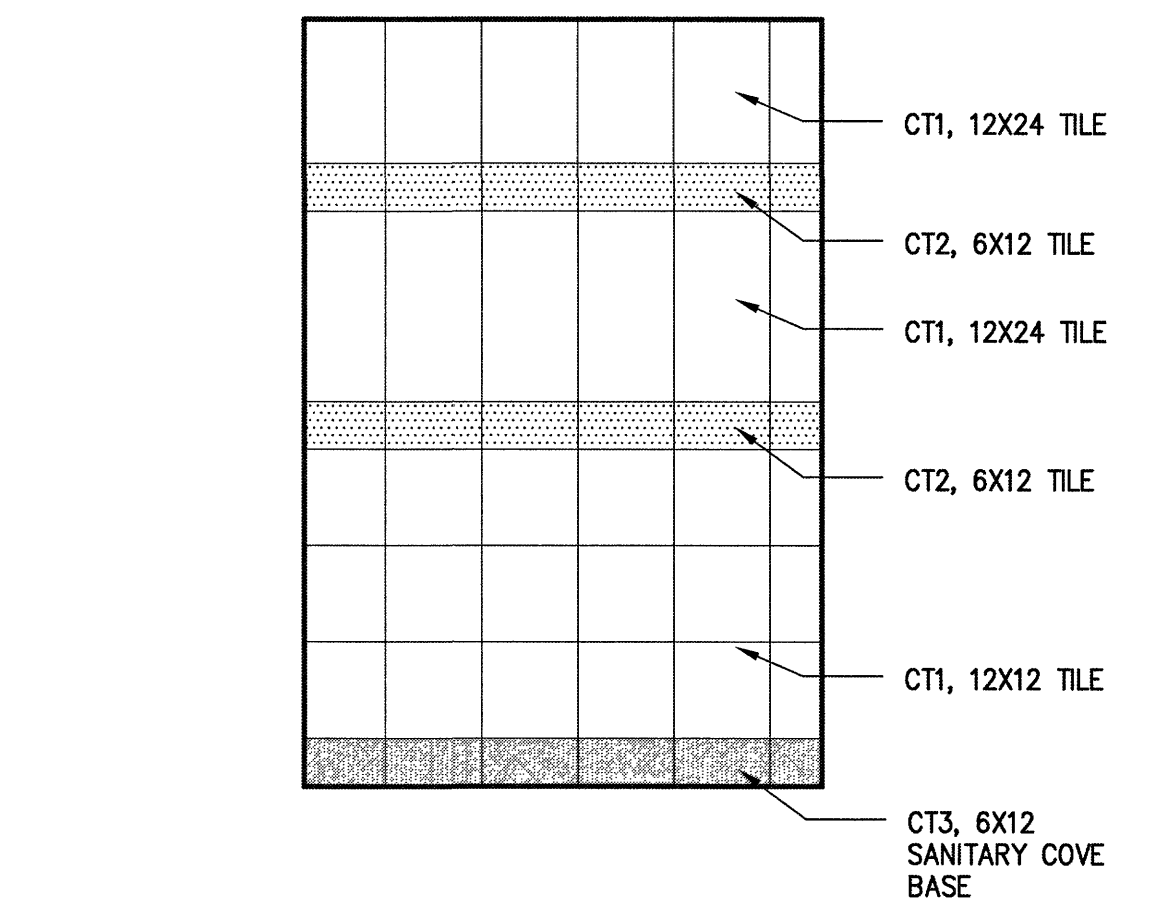
INTERIOR ELEVATIONS
SCALE: 1/4" = 1'-0"

INTERIOR ELEVATION GENERAL NOTES:

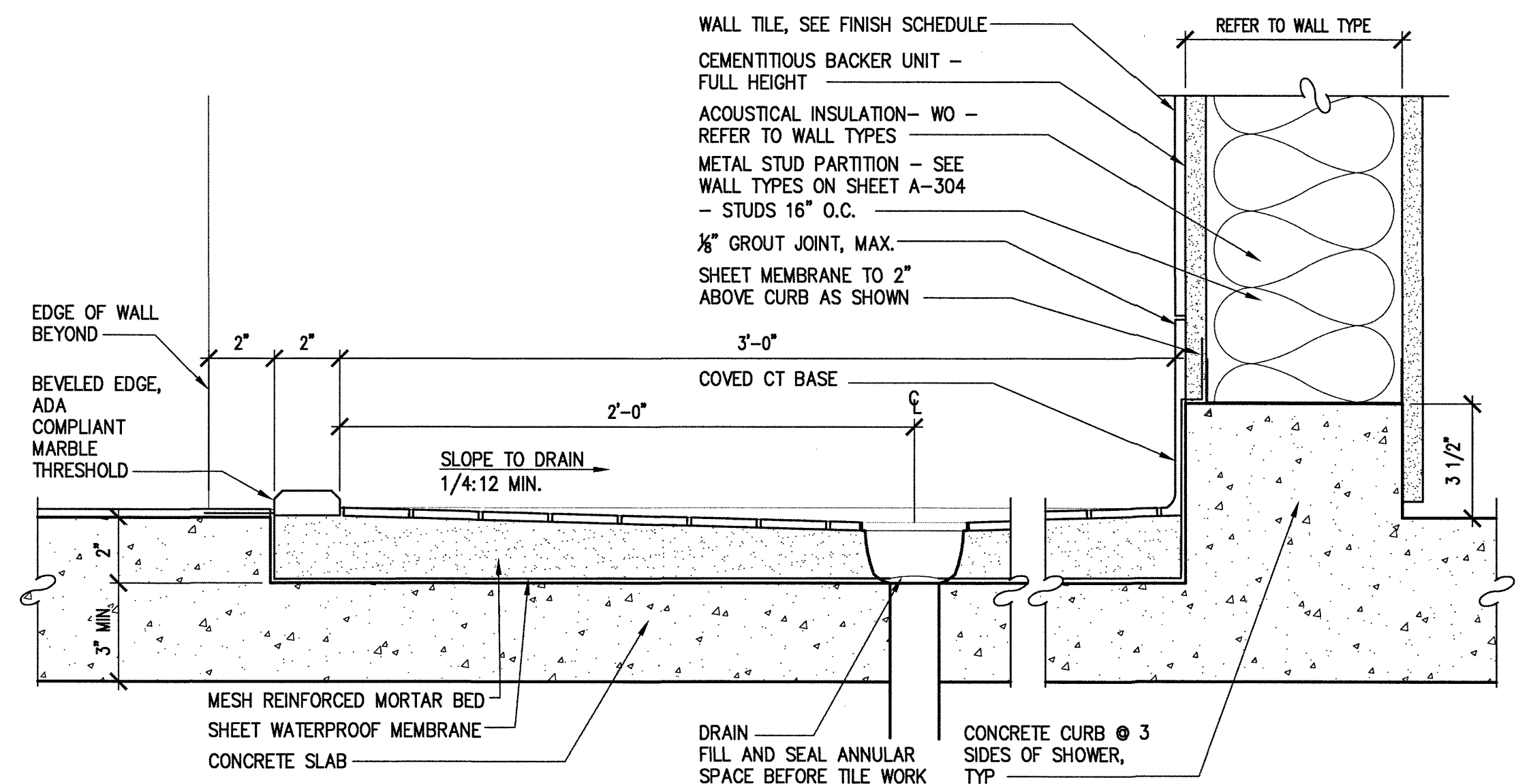
- REFER TO SHEET A-401 FOR TOILET FIXTURE/ACCESSORY TYPICAL MOUNTING HEIGHTS.



1 PUBLIC TOILET CT ELEVATION
SCALE: 1/2" = 1'-0"



2 TYPICAL TOILET CT ELEVATION
SCALE: 1/2" = 1'-0"



3 SHOWER BED DETAIL
SCALE: 3" = 1'-0"

