

**STANDING SEAM METAL ROOFING SYSTEM**

SCALE: NOT TO SCALE (ADDITIVE BID ITEM 6 UNLESS OTHERWISE NOTED)

**ROOF PLAN GENERAL NOTES:**

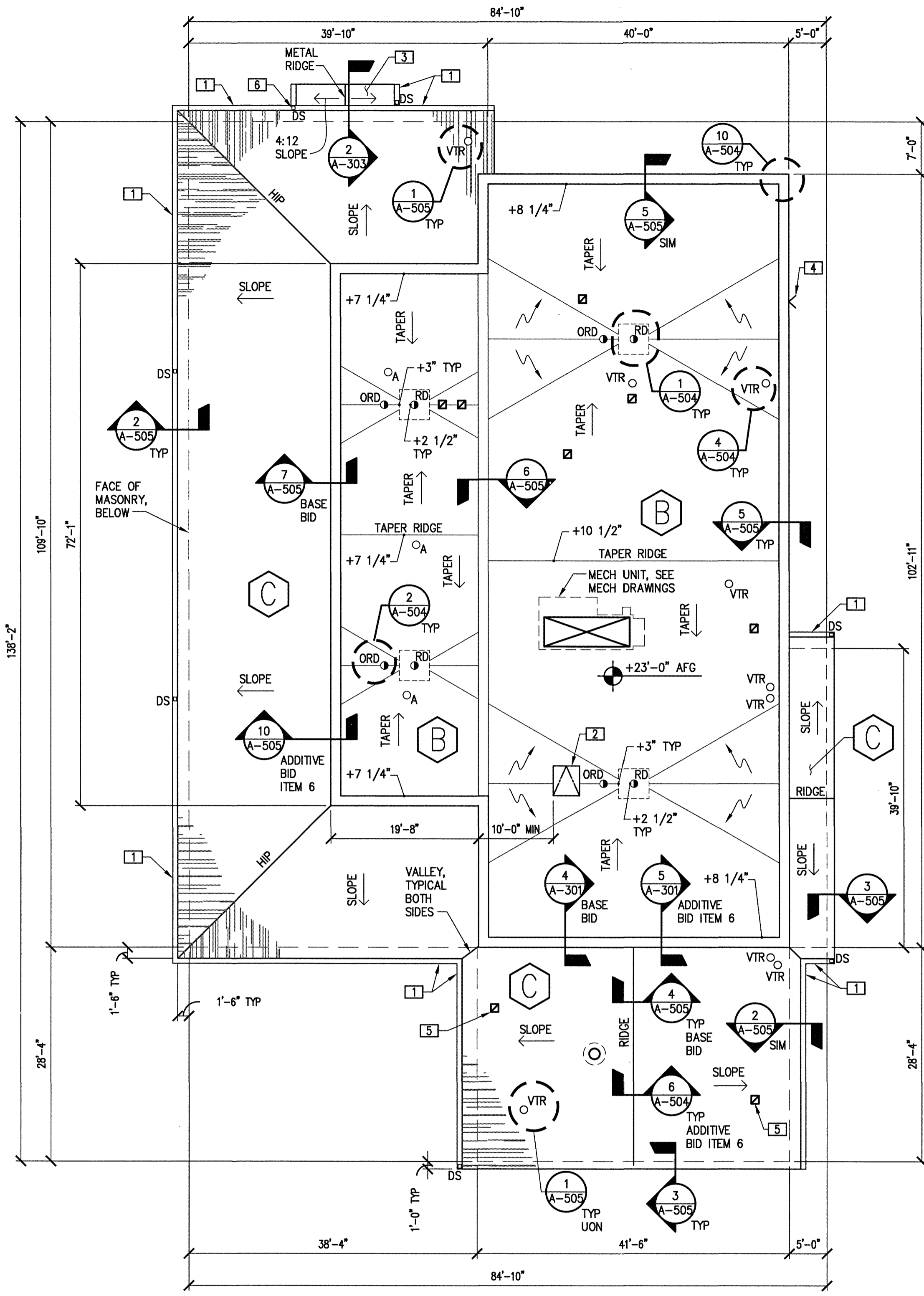
1. REFER TO SHEET A-101 FOR TYPICAL GENERAL NOTES.
2. PROVIDE 4'-0" SQUARE x 1/2" DEEP SUMP, TYPICAL AT ALL PRIMARY ROOF DRAINS.
3. SEE PLUMBING DRAWINGS FOR ROOF DRAIN PIPING.

**ROOF PLAN KEYED NOTES:**

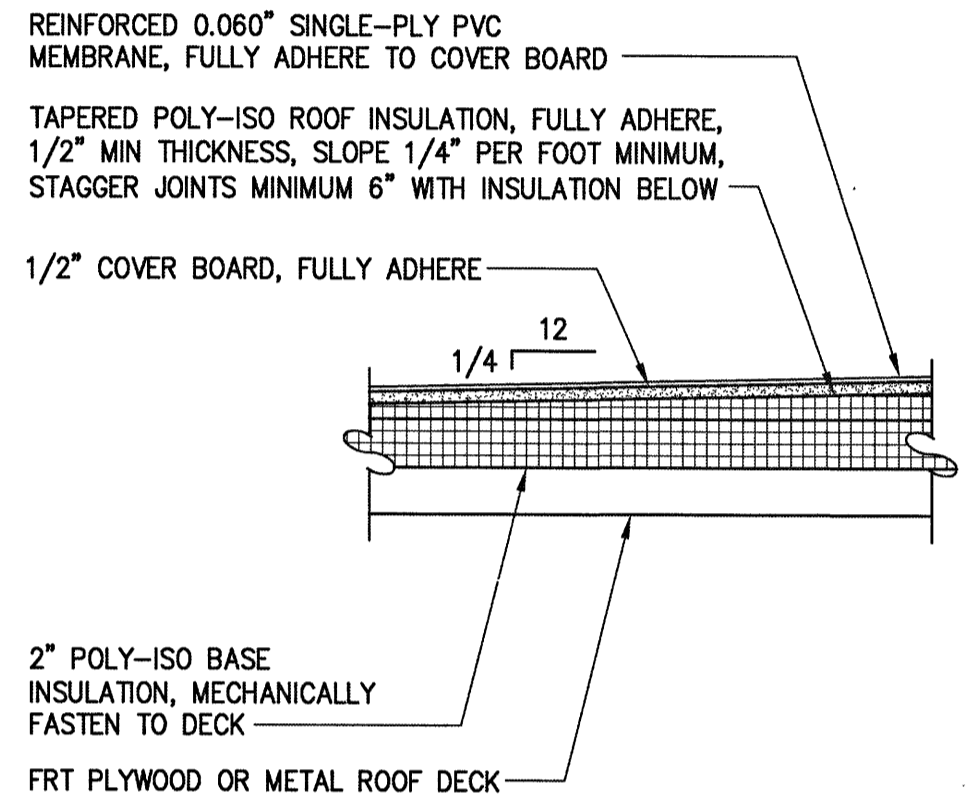
1. CONTINUOUS PREFINISHED METAL GUTTER, TYPICAL @ ALL EAVES.
2. ROOF HATCH, REFER TO SPECIFICATIONS AND DETAIL 3/A-504 FOR ADDITIONAL INFORMATION.
3. BASE BID: PROVIDE STANDING SEAM METAL ROOFING SYSTEM @ ENTRANCE CANOPY ONLY W/ SEAM-MOUNTED PAD-TYPE SNOW RETENTION SYSTEM. REFER TO TYPICAL ROOFING SYSTEM DETAILS ON SHEET A-103.
4. PROVIDE OVERFLOW DRAIN DISCHARGE NOZZLE, REFER TO DETAIL 1/A-103 FOR ADDITIONAL INFORMATION. REFER TO PLUMBING DRAWINGS FOR DRAIN PIPING.
5. LOW-PROFILE ROOF JACK, COLOR TO MATCH ROOFING. SEE MECHANICAL DRAWINGS FOR ADDITIONAL INFORMATION.
6. PROVIDE DOWNSPOUT FROM HIGH GUTTER TO ENTRANCE CANOPY GUTTER BELOW. PROVIDE DOWNSPOUT FROM ENTRANCE CANOPY GUTTER TO UNDERGROUND STORMWATER DRAINAGE SYSTEM BELOW. REFER TO EXTERIOR ELEVATIONS FOR ADDITIONAL INFORMATION.

**ROOF PLAN SYMBOLS LEGEND:**

- B** NEW ROOF SYSTEM, SEE SHEET A-103 FOR ROOF TYPES
- SLOPE** DIRECTION OF ROOF SLOPE IN STRUCTURE, 6:12 TYPICAL UNLESS OTHERWISE NOTED
- TAPER** DIRECTION OF ROOF SLOPE IN TAPERED INSULATION SYSTEM, 1/4:12 TYPICAL UNLESS OTHERWISE NOTED
- VTR** VENT THROUGH ROOF, REFER TO DETAIL 1/A-505 (B/A-505 ADDITIVE BID ITEM 6) OR DETAIL 4/A-504. REFER TO PLUMBING AND MECHANICAL DRAWINGS FOR ADDITIONAL INFORMATION
- DS** PROVIDE PREFINISHED 3" x 4" METAL DOWNSPOUT, TIE INTO UNDERGROUND STORMWATER DRAINAGE SYSTEM PER DETAIL 5/A-201, TYPICAL UNLESS OTHERWISE NOTED
- RIDGE** RIDGE IN STRUCTURE
- TAPER RIDGE** RIDGE IN TAPERED INSULATION SYSTEM
- METAL RIDGE** METAL RIDGE CAP, TYPICAL @ ENTRANCE CANOPY, REFER TO DETAIL 6/A-504 FOR ADDITIONAL INFORMATION
- VALLEY** VALLEY LOCATION (METAL VALLEY FLASHING, ADDITIVE BID ITEM 6, REFER TO DETAIL 10/A-504 FOR ADDITIONAL INFORMATION)
- HIP** HIP, REFER TO DETAIL 4/A-505 SIMILAR (BASE BID), AND DETAIL 6/A-504 SIMILAR (ADDITIVE BID ITEM 6)
- +23'-0" AFG** ELEVATION DATUM (REFERENCE ABOVE FINISH GRADE)
- RD** CAST IRON ROOF DRAIN W/ CAST IRON DOME STRAINER, Ø TO MATCH DRAIN PIPING, REFER TO DETAIL 1/A-504. REFER TO PLUMBING DRAWINGS FOR DRAIN PIPING.
- ORD** CAST IRON OVERFLOW ROOF DRAIN W/ CAST IRON DOME STRAINER, Ø TO MATCH DRAIN PIPING, REFER TO DETAIL 2/A-504. REFER TO PLUMBING DRAWINGS FOR DRAIN PIPING.
- MECH UNIT** MECHANICAL VENT OR FAN, UNLESS OTHERWISE NOTED, REFER TO DETAIL 2/A-103 AND MECHANICAL DRAWINGS FOR ADDITIONAL INFORMATION.
- MECH UNIT CURB** REFER TO DETAIL 2/A-103 SIMILAR AND MECHANICAL DRAWINGS FOR ADDITIONAL INFORMATION.
- X"** THICKNESS OF TAPERED INSULATION SYSTEM (INCLUDES COVERBOARD)
- OA** ANTENNA MOUNTING DETAIL, SEE DETAIL 11/A-505 FOR ADDITIONAL INFORMATION

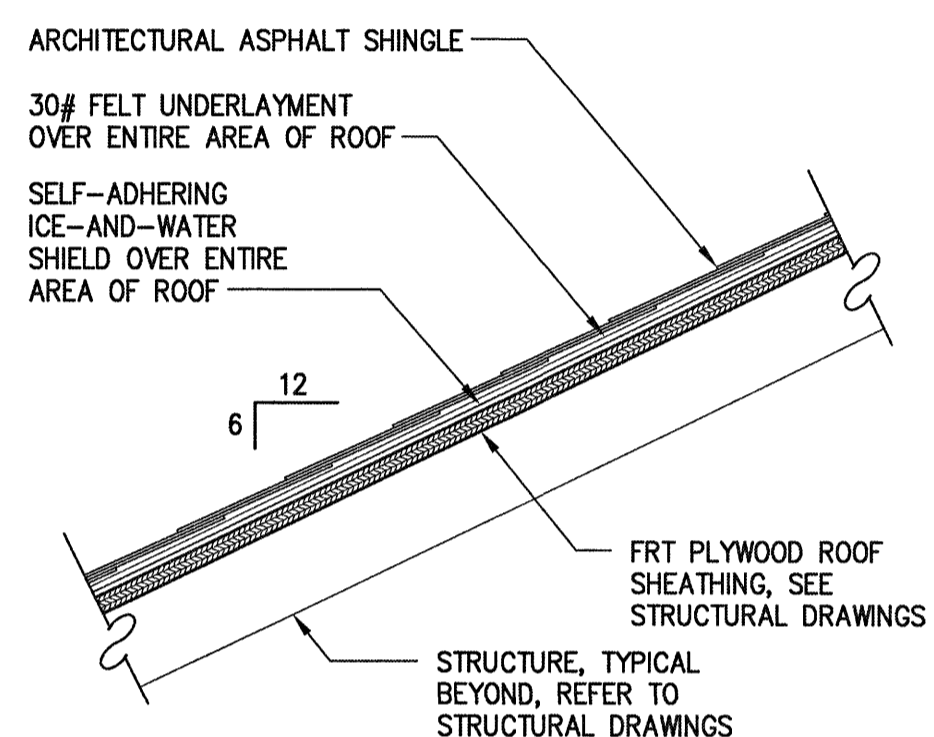


**ROOF PLAN**  
SCALE: 3/32" = 1'-0"  
PROJECT NORTH



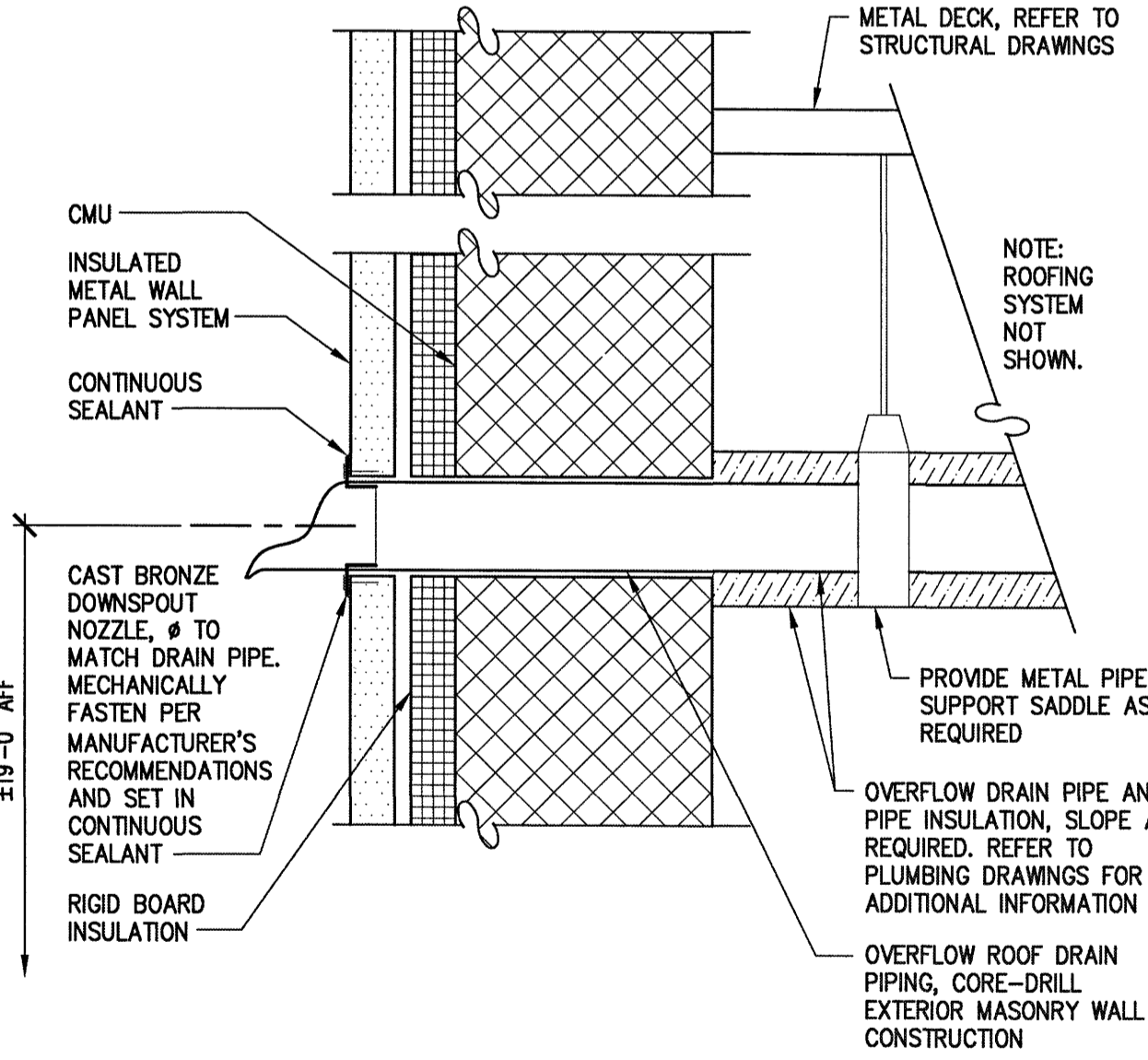
**FULLY ADHERED PVC ROOFING SYSTEM**

SCALE: NOT TO SCALE



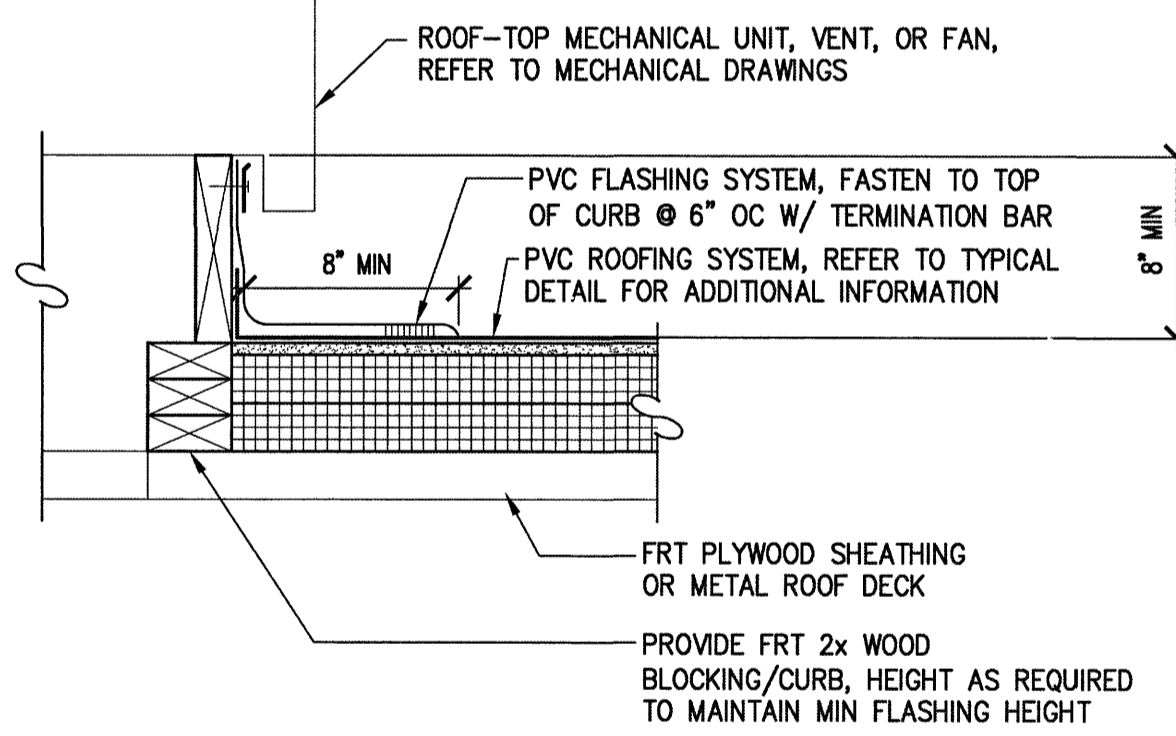
**ASPHALT SHINGLE ROOFING SYSTEM**

SCALE: NOT TO SCALE (BASE BID)



**OVERFLOW DISCHARGE NOZZLE**

SCALE: 1 1/2" = 1'-0"



**EQUIPMENT CURB DETAIL**

SCALE: 1 1/2" = 1'-0"



**ENGINEERS  
ARCHITECTS  
PLANNERS**

449 McLAWS CIRCLE  
WILLIAMSBURG, VA 23185  
(757) 253-0673 VOICE  
(757) 253-2319 FAX  
[www.djginc.com](http://www.djginc.com)



COUNTY OF ALBEMARLE

**PANTOPS  
PUBLIC SAFETY  
FACILITY**

IFB # 2017-11223-20

CHARLOTTESVILLE,  
VIRGINIA

**REVISIONS**

NO.	DATE	DESCRIPTION

COMMISSION NUMBER	2160310
SCALE:	AS NOTED
DESIGNED:	RTL
DRAWN:	RTL
CHECKED:	DFB
DATE:	10.28.2016

THIS DOCUMENT CONTAINS INFORMATION PROPRIETARY TO DJG, INC. AND IS FURNISHED IN CONFIDENCE AS AN INSTRUMENT OF SERVICE FOR THE LIMITED PURPOSE OF EVALUATION, BIDDING AND REVIEW OR CONSTRUCTION OF A SPECIFIC PROJECT. REPRODUCTION OF THIS DOCUMENT, IN WHOLE OR IN PART, OR THE MODIFICATION OF ANY DETAIL OR DESIGN WITHOUT THE EXPRESSED WRITTEN CONSENT OF DJG, INC. IS PROHIBITED. ALL RIGHTS RESERVED. COPYRIGHT DJG, INC. (S) 2016.

SHEET TITLE  
**ROOF PLAN AND  
DETAILS**

SHEET NUMBER  
**A-103**  
24 OF 68

