

CIVIL
TIMMONS GROUP, INC.
919 2ND STREET S.E.
CHARLOTTEVILLE, VA 22902
PHONE: (434) 295-5624
FAX: (434) 295-8317

STRUCTURAL
EHLERT/ BRYAN INC.
1451 DOLLY MADISON BLVD. SUITE #220
McLEAN, VA 22101
PHONE: (703) 827 9552

MEP/ ELECT./ PLUMBING
AJ ENGINEERS, INC.
4304 EVERGREEN LANE, SUITE # 204
ANNANDALE, VA 22003
PHONE: (703) 914 1416

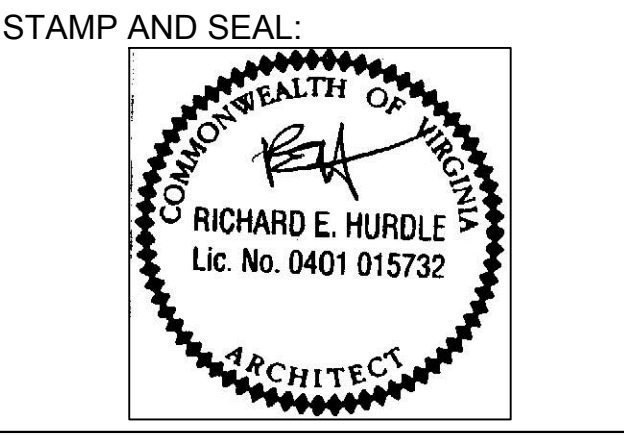
THIS DRAWING & THE DESIGN SHOWN THEREON ARE THE PROPERTY OF ZIVIC & HURDLE ARCHITECTS. THE REPRODUCTION, COPYING, OR USE OF THIS DRAWING W/O THEIR SPECIFIC WRITTEN CONSENT IS PROHIBITED & ANY INFRINGEMENT WILL BE SUBJECT TO LEGAL ACTION.

REVISION	DATE	DESCRIPTION
	09/30/2016	BID / PERMIT SET
	06/03/2016	DESIGN DEVELOPMENT
	05/06/2016	SCHEMATIC DESIGN

DESIGNED BY: _____ CHECKED BY: _____
DRAWN BY: _____ APPROVED BY: _____



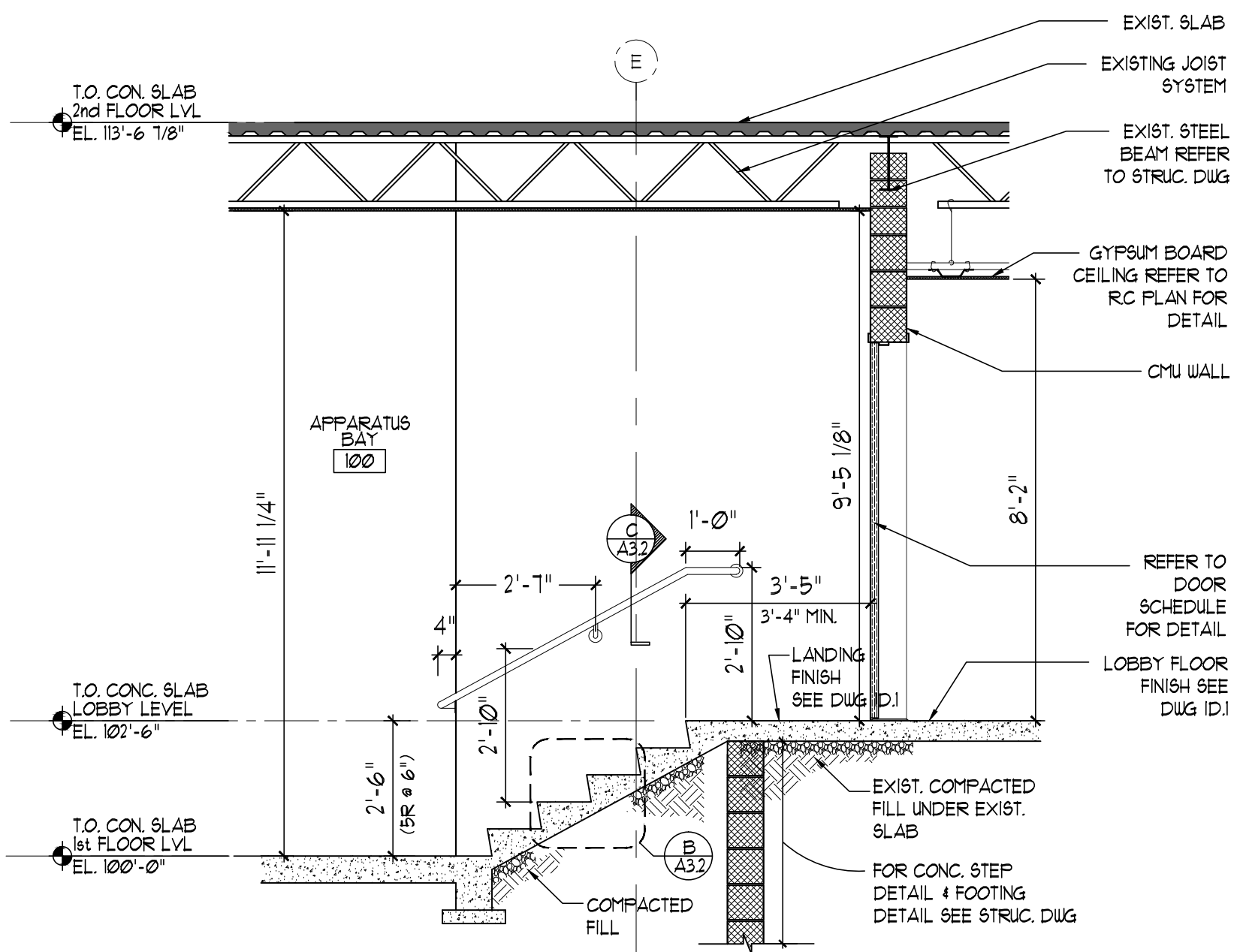
RESCUE 8 STATION
ALBEMARLE COUNTY, VA
3045 BERKMAR DR.
CHARLOTTEVILLE, VA
ZHA PROJECT NUMBER: 15115.00



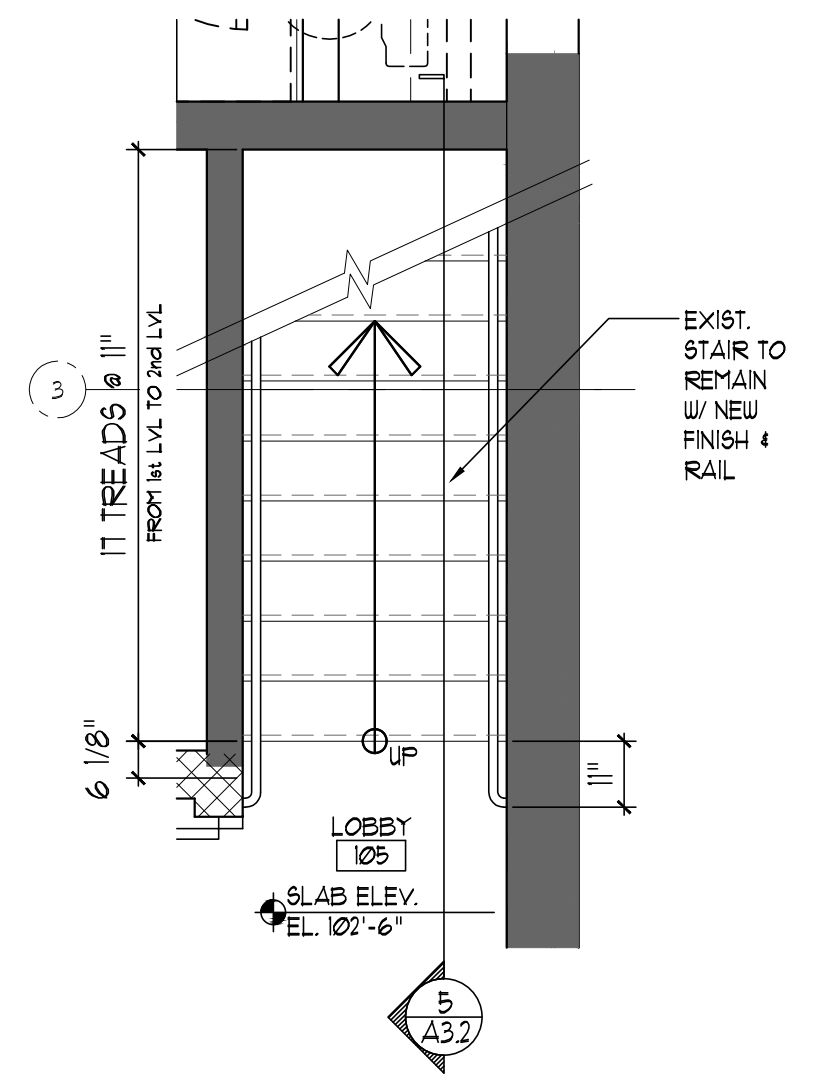
SHEET TITLE:
STAIR PLAN & SECTION

SCALE:
SHEET NO: **A3.2**

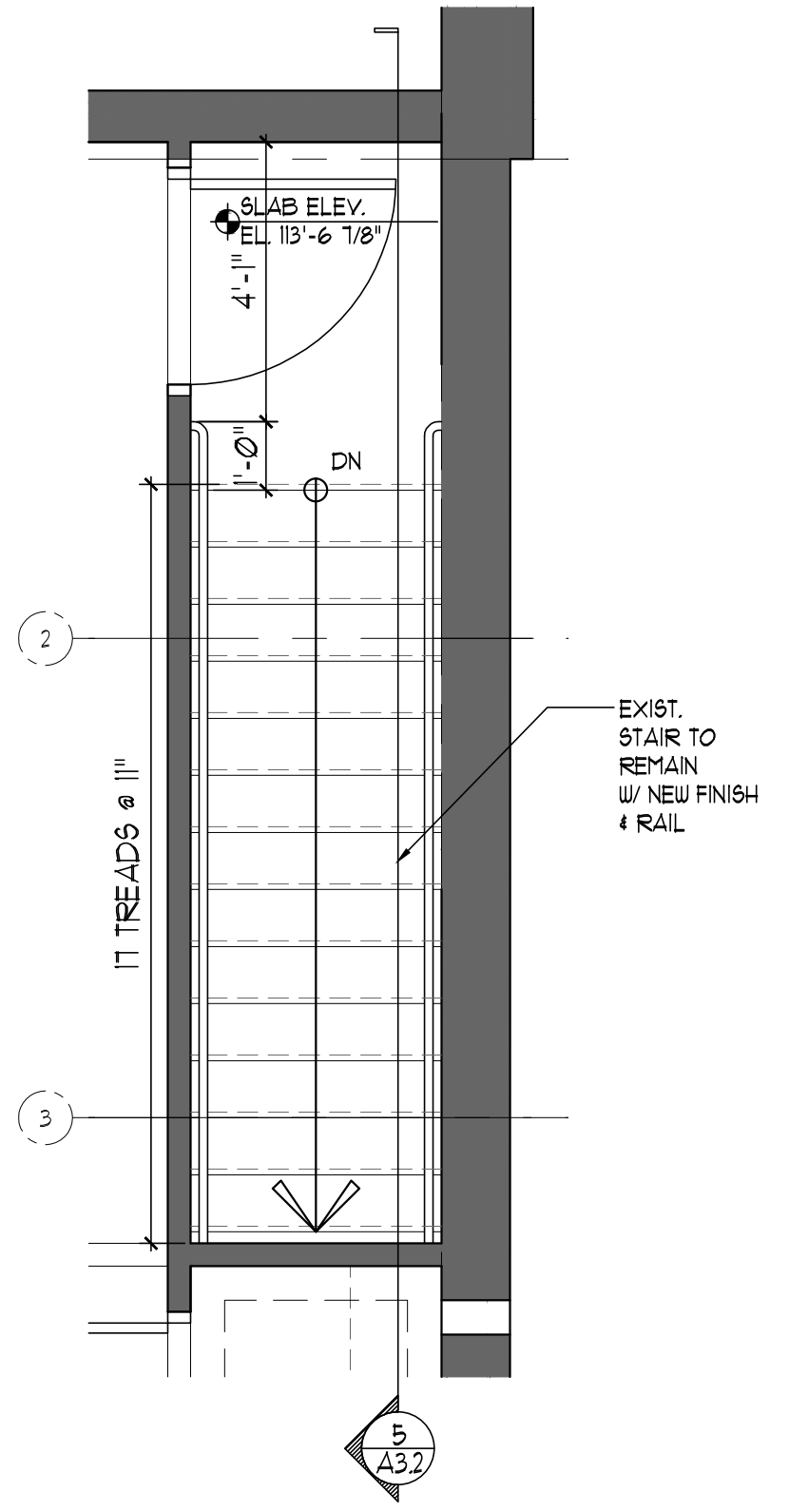
ISSUE DATE:



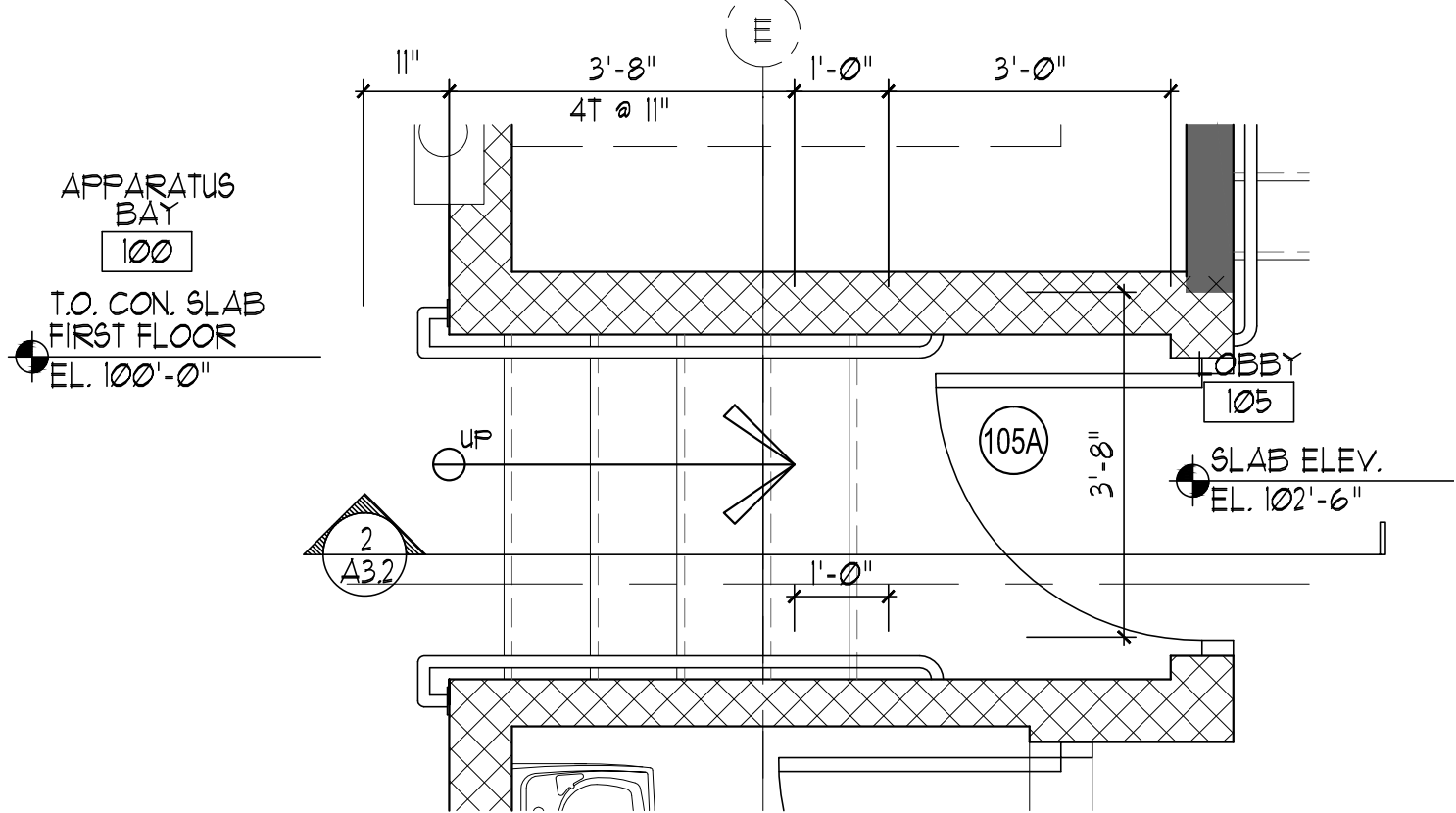
2 SECTION @ NEW STAIR
A3.2 SCALE: 3/8"=1'-0"



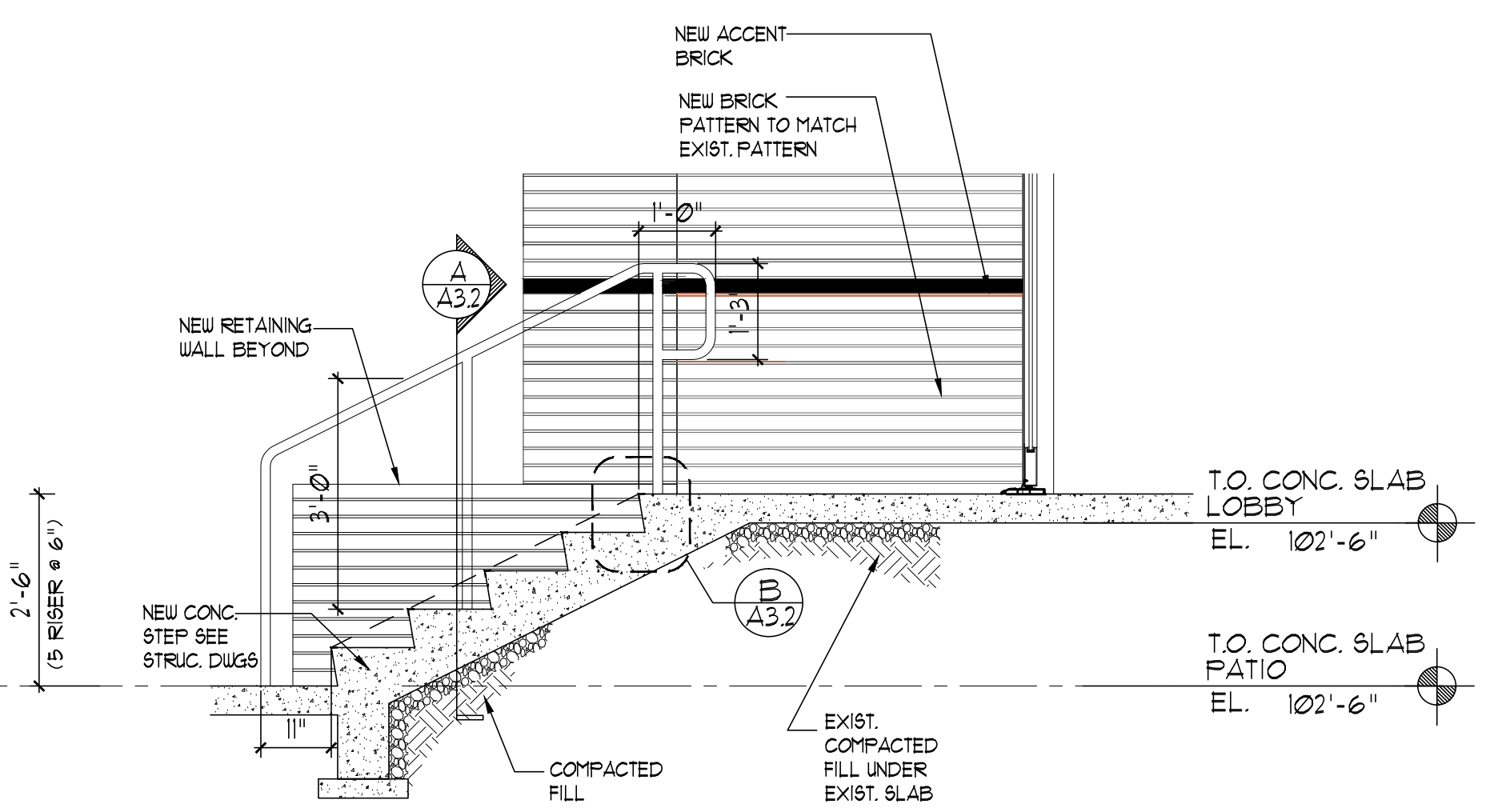
3 PLAN @ EXIST. INTERNAL STAIR 1ST FLOOR
A3.2 SCALE: 3/8"=1'-0"



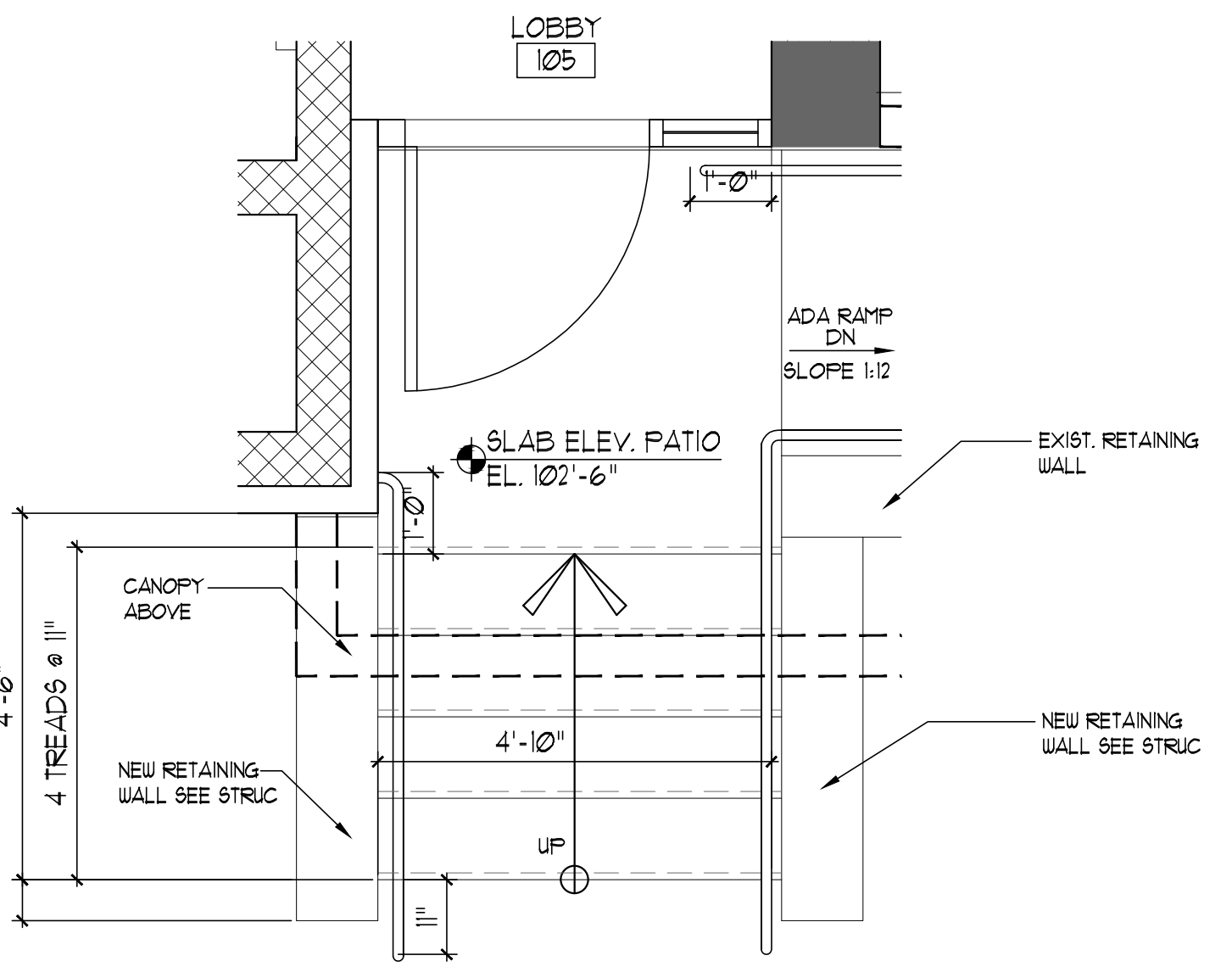
4 PLAN @ EXIST. INTERNAL STAIR 2ND FLOOR
A3.2 SCALE: 3/8"=1'-0"



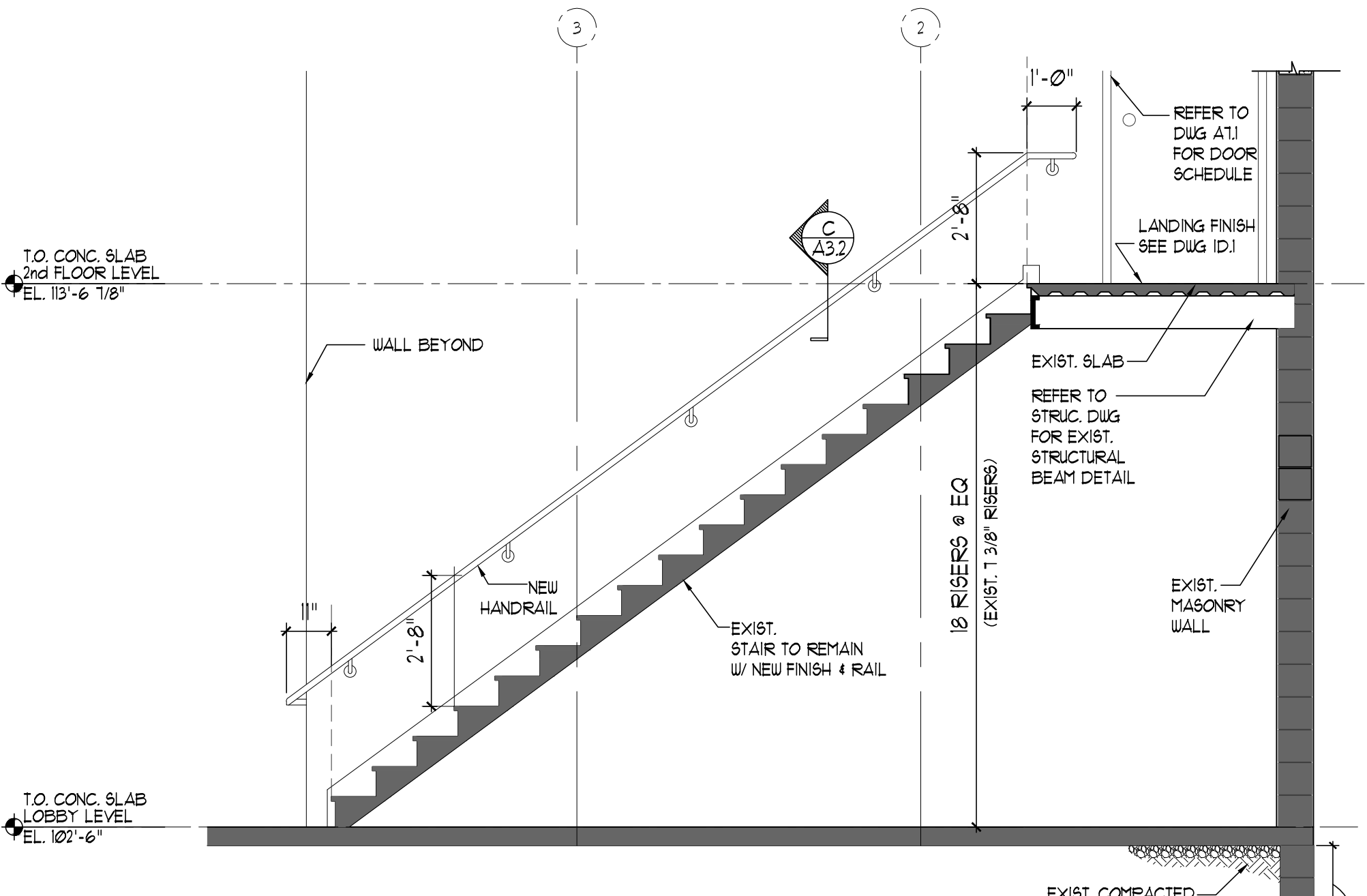
1 PLAN @ NEW STAIR
A3.2 SCALE: 1/2"=1'-0"



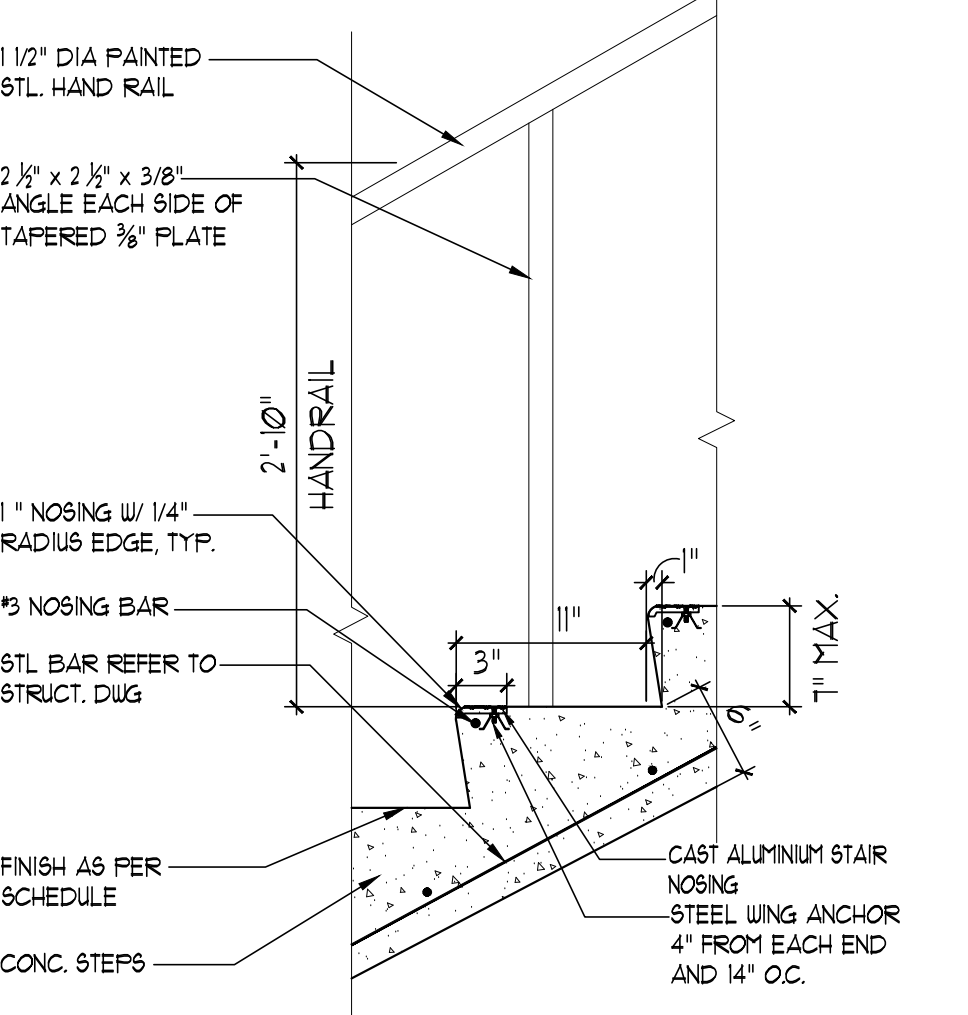
7 SECTION @ NEW STAIR
A3.2 SCALE: 1/2"=1'-0"



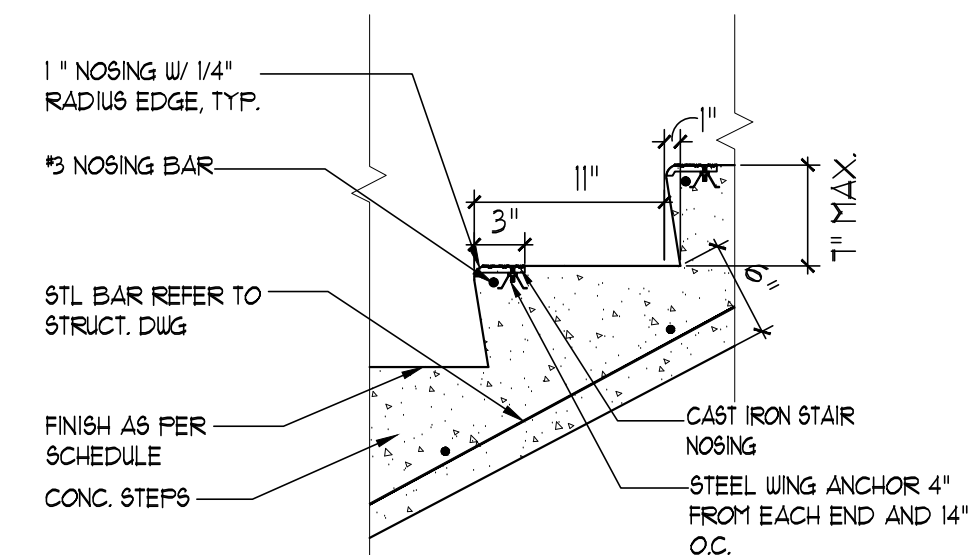
6 PLAN @ NEW STAIR
A3.2 SCALE: 1/2"=1'-0"



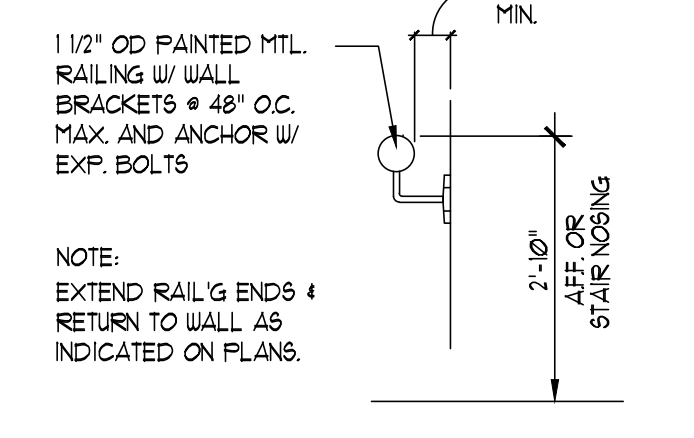
5 SECTION @ EXIST. INTERNAL STAIR
A3.2 SCALE: 3/8"=1'-0"



A STAIR & HANDRAIL DETAIL
A3.2 SCALE: 1"=1'-0"



B STAIR DETAIL
A3.2 SCALE: 1"=1'-0"



C STAIR RAILING DETAIL
A3.2 SCALE: 1 1/2"=1'-0"

