

CIVIL
TIMMONS GROUP, INC.
 919 2ND STREET S.E.
 CHARLOTTESVILLE, VA 22902
 PHONE: (434) 295-5624
 FAX: (434) 295-8317

STRUCTURAL
EHLERT/ BRYAN INC.
 1451 DOLLY MADISON BLVD. SUITE #220
 McLEAN, VA 22101
 PHONE: (703) 827 9552

MEP/ ELECT/ PLUMBING
AJ ENGINEERS, INC.
 4304 EVERGREEN LANE, SUITE # 204
 ANNANDALE, VA 22003
 PHONE: (703) 914 1416

THIS DRAWING & THE DESIGN SHOWN THEREON ARE THE PROPERTY OF ZIVIC & HURDLE ARCHITECTS. THE REPRODUCTION, COPYING, OR USE OF THIS DRAWING W/O THEIR SPECIFIC WRITTEN CONSENT IS PROHIBITED & ANY INFRINGEMENT WILL BE SUBJECT TO LEGAL ACTION.

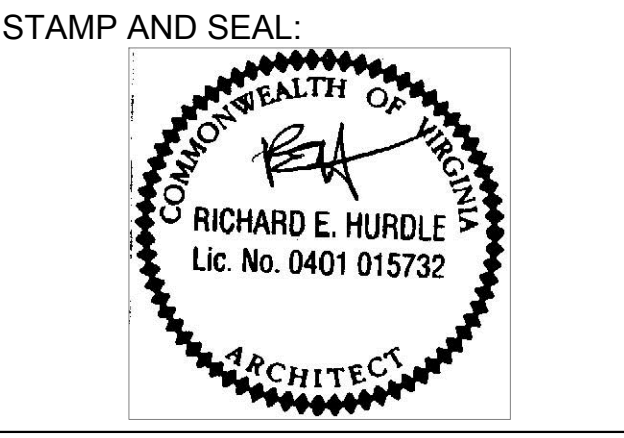
REVISION	DATE	DESCRIPTION
	09/30/2016	BID / PERMIT SET
	06/03/2016	DESIGN DEVELOPMENT
	05/06/2016	SCHEMATIC DESIGN

DESIGNED BY: _____ CHECKED BY: _____
 DRAWN BY: _____ APPROVED BY: _____



RESCUE 8 STATION
 ALBEMARLE COUNTY, VA

3045 BERKMAR DR.
 CHARLOTTESVILLE, VA
 ZHA PROJECT NUMBER: 15115.00

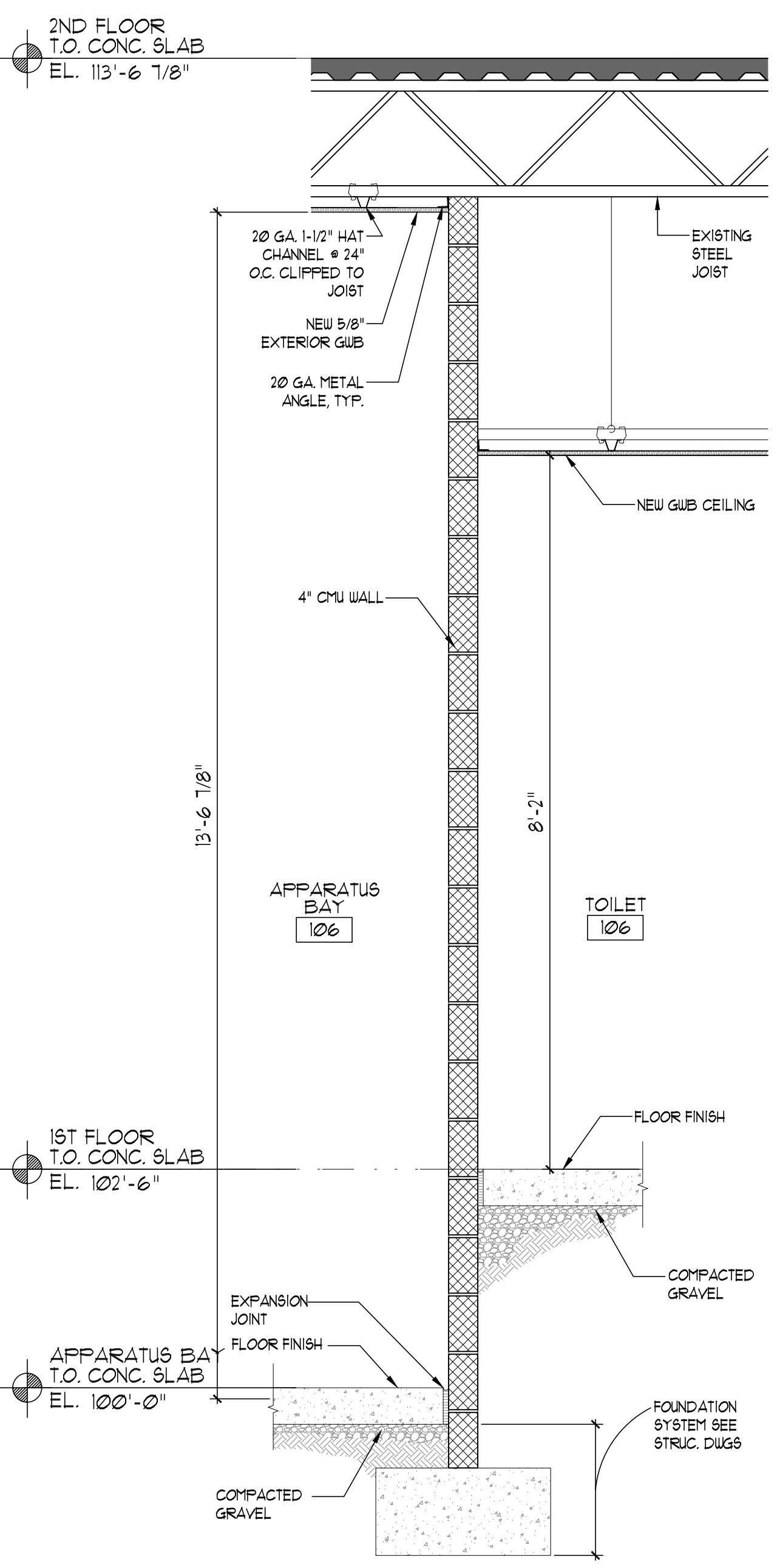


SHEET TITLE:
 PARTITION TYPES

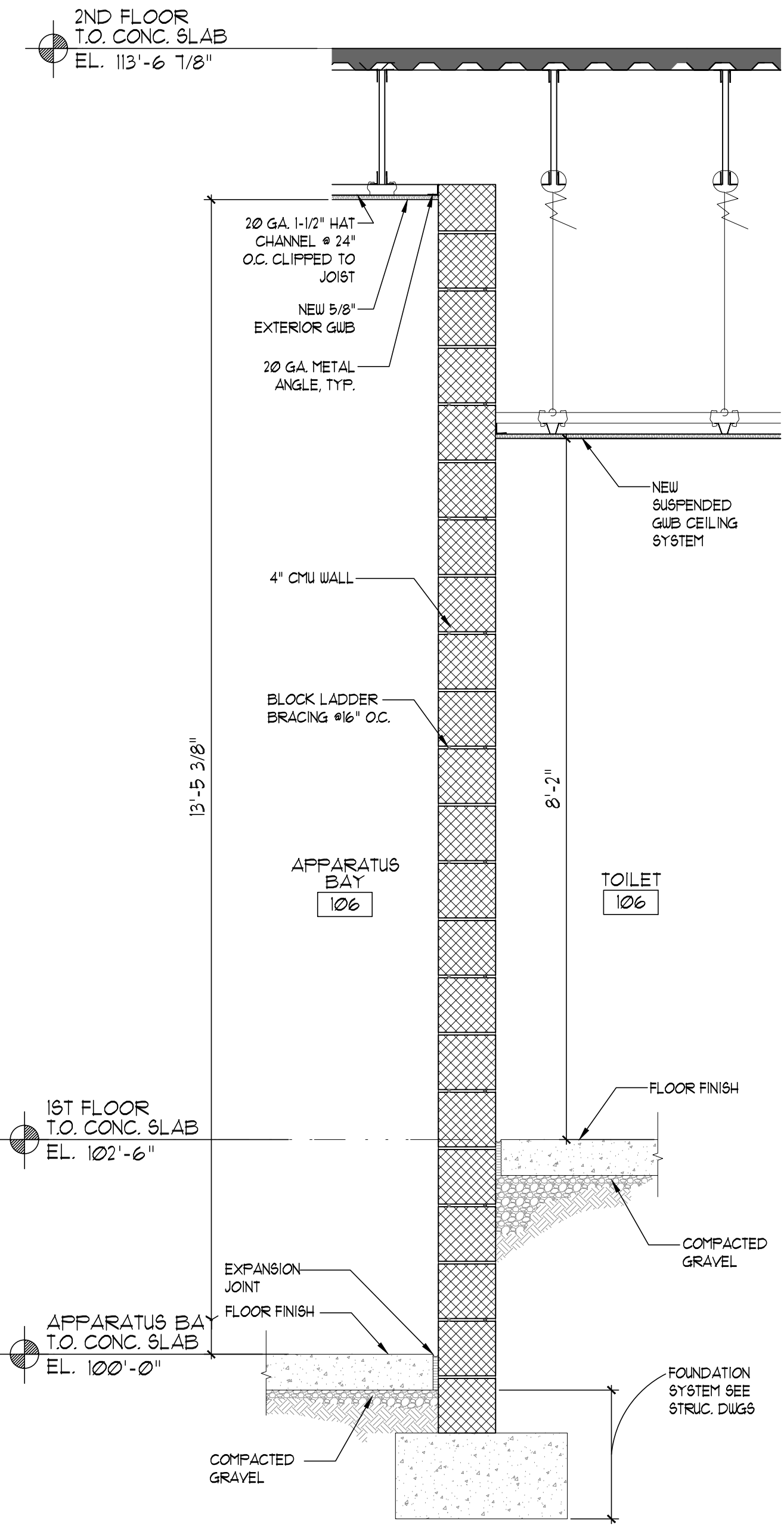
SCALE:

SHEET NO: **A12**

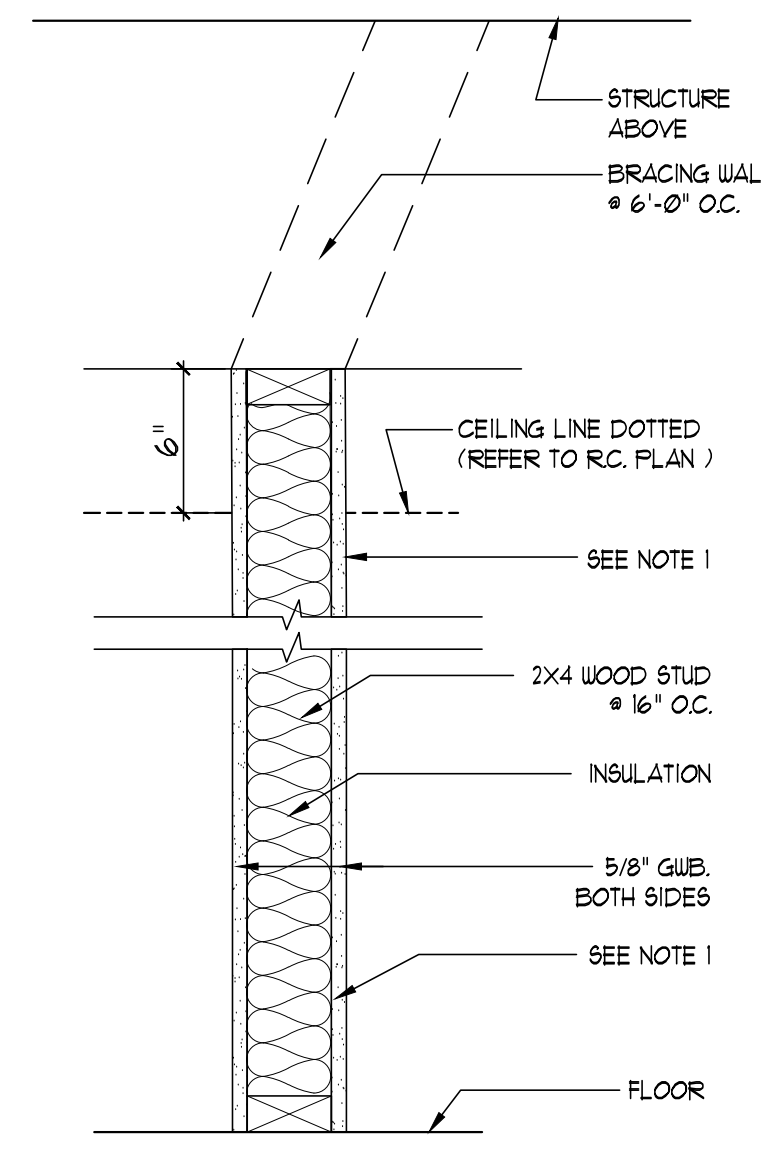
ISSUE DATE:



1 WALL SECTION
 A12 SCALE: 3/4"=1'-0"
 SIM



2 WALL SECTION
 A12 SCALE: 3/4"=1'-0"
 SIM



P-2 NON-RATED PARTITION

FIRE RATING: 0	UL DES. NO.
STC: 46	TEST: BEN-100125
TEST: USG-30-FT-G4H	

- PARTITION WALL NOTES:**
- 1- PROVIDE AND INSTALL HIGH IMPACT 5/8" MOISTURE & MOLD RESISTANT TOUGH GYPSUM BOARD ON THE SIDE WHERE MOISTURE IS PRESENT OR EPOXY PAINT IS SPECIFIED (WET AREAS, RESTROOMS, LAUNDRY, SHOWERS, LOCKERS, POOLS, AND WET CORRIDORS ETC. BOTH AT WALLS & CEILING)
 - 2- FOR FIRE RATED ASSEMBLY SYSTEM LAYOUT REFER TO DWG L61
 - 3- FOR FIRE RATED DOOR SCHEDULE REFER TO DWG A11
 - 4- REFERENCE UL, USG AND GA SYSTEMS FOR MORE DETAIL INFORMATION.
 - 5- MINIMUM SPACING FOR PARTITION STUDS TO BE AS SHOWN ON UL DESIGN.
 - 6- ALL RATED ASSEMBLIES SHALL MEET OR EXCEED THE MIN. REQUIREMENTS BY UL DESIGN DIRECTORIES.

- SOUND INSULATION NOTES:**
- 1- ASTM RECOMMENDED PRACTICES E-491 SHOULD BE FOLLOWED FOR GOOD SOUND CONTROL PRACTICES AND THE MANUFACTURES OF THE GYP. BOARD SHOULD BE CONSULTED FOR ANY SPECIAL RECOMMENDATIONS RELATING TO THEIR SYSTEM
 - 2- STC BASED ON USG (UNITED STATES GYPSUM COMPANY) TEST AND GA (GYPSUM ASSOCIATION). SEE THE TEST NUMBER AT EACH PARTITION TYPE AND THE REQUIREMENTS TO ACHIEVE THE REQUIRED STC.
 - 3- THE ENTIRE PERIMETER OF A SOUND INSULATING ASSEMBLY MUST BE MADE AIRTIGHT TO PREVENT SOUND 'FLANKING'.
 - 4- ANY OPENINGS CUT FOR FIXTURES SHOULD BE CAREFULLY CUT TO SIZE AND CAULKED WITH FIRE SAFING

