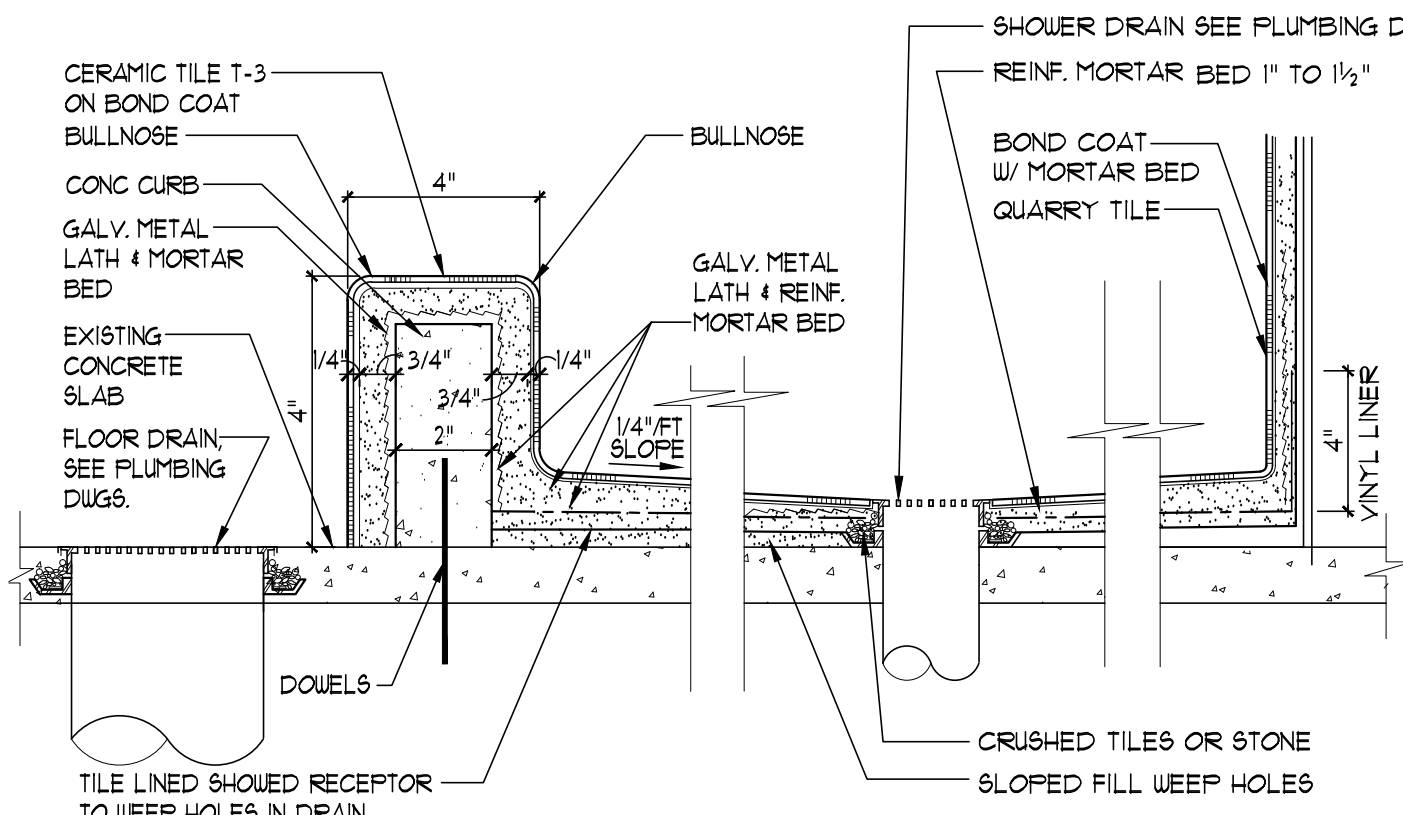
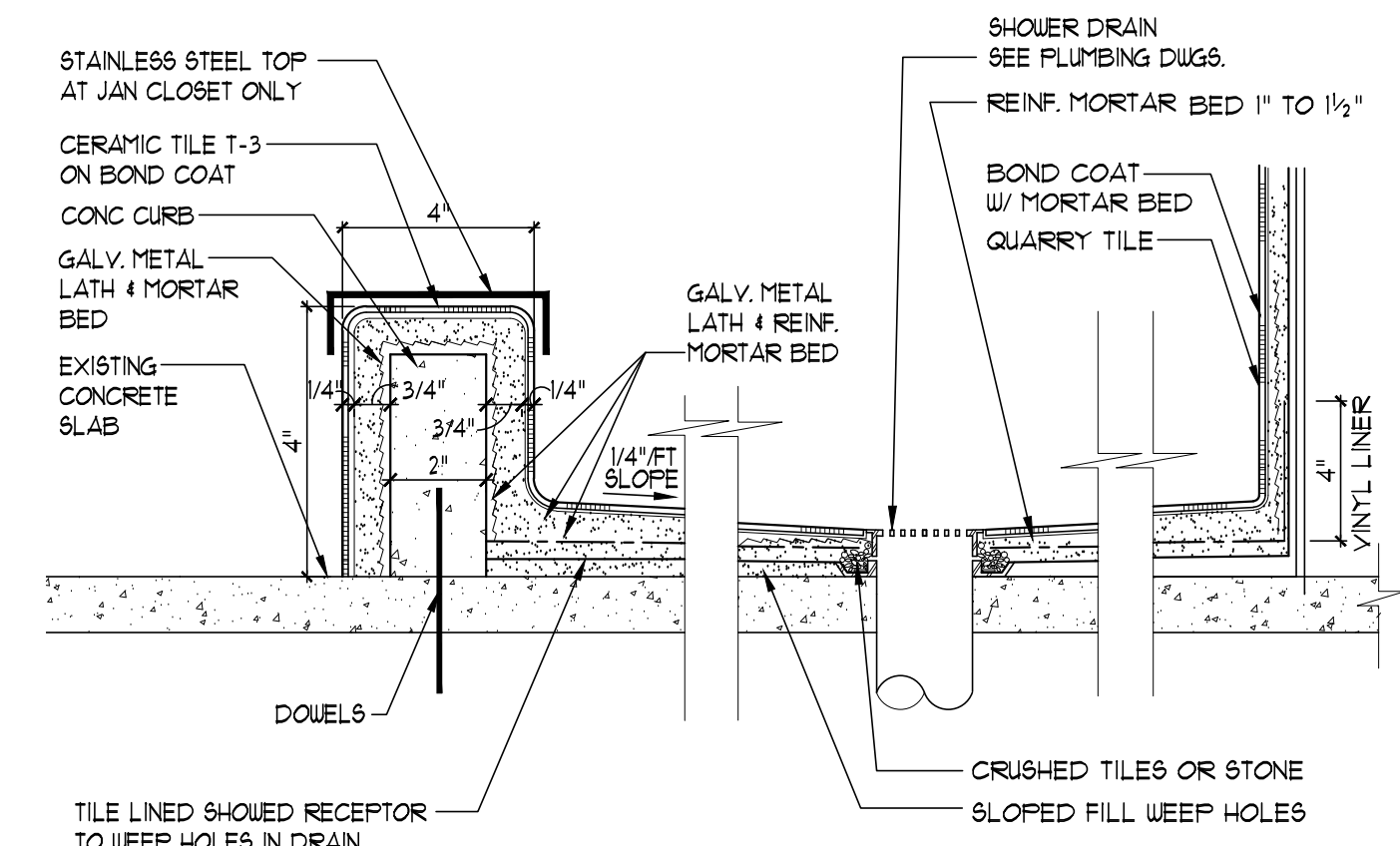


NOTES:
 PROVIDE WOOD BLOCKING FOR ALL GRAB BARS & ALL OTHER WALL MOUNTING OBJECTS LOCATIONS, PLEASE COORDINATE BLOCKING LOCATIONS BEFORE TO INSTALL.
 PLASTIC LAMINATE/ WOOD VENEER @ ALL EXPOSED SURFACES



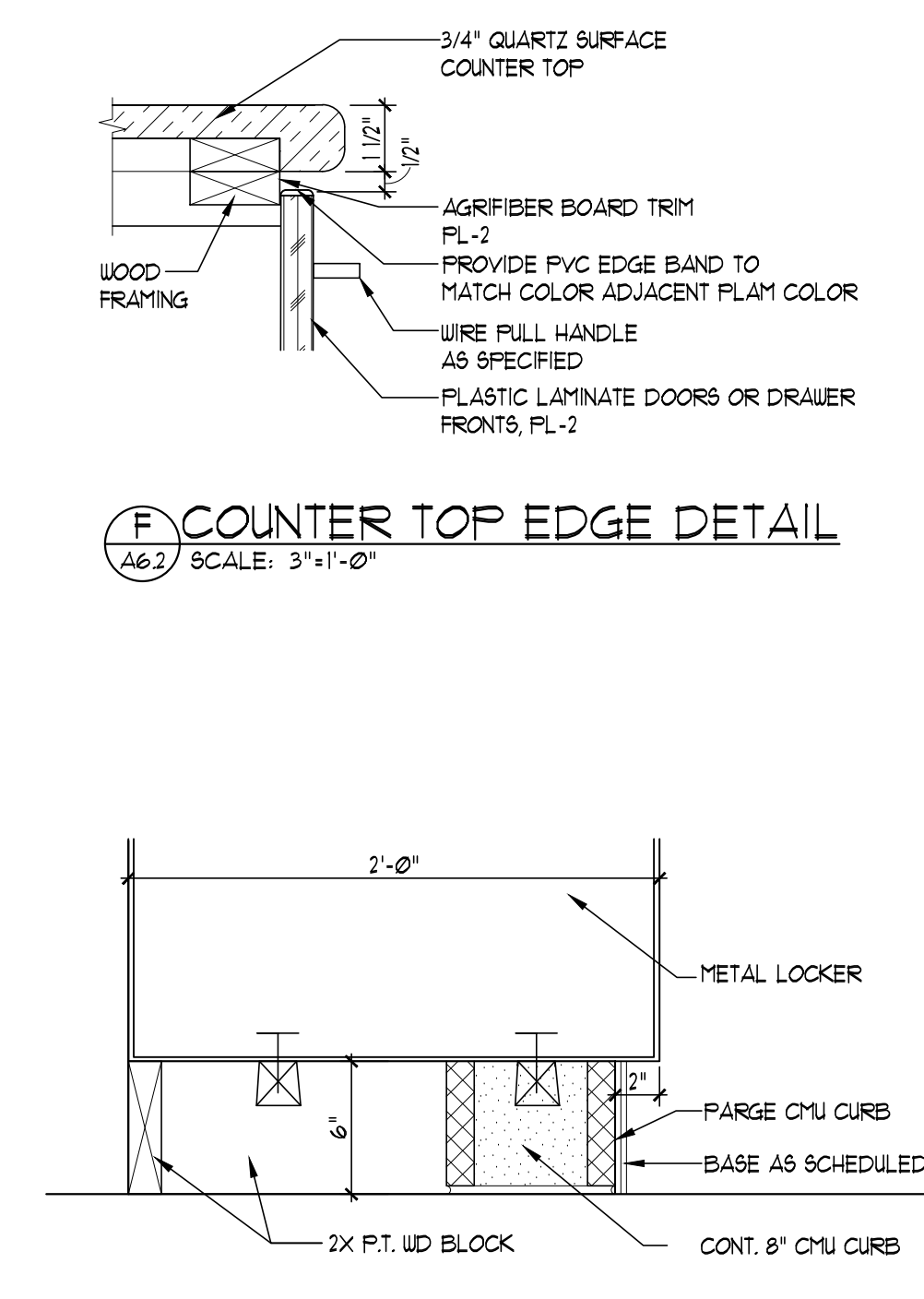
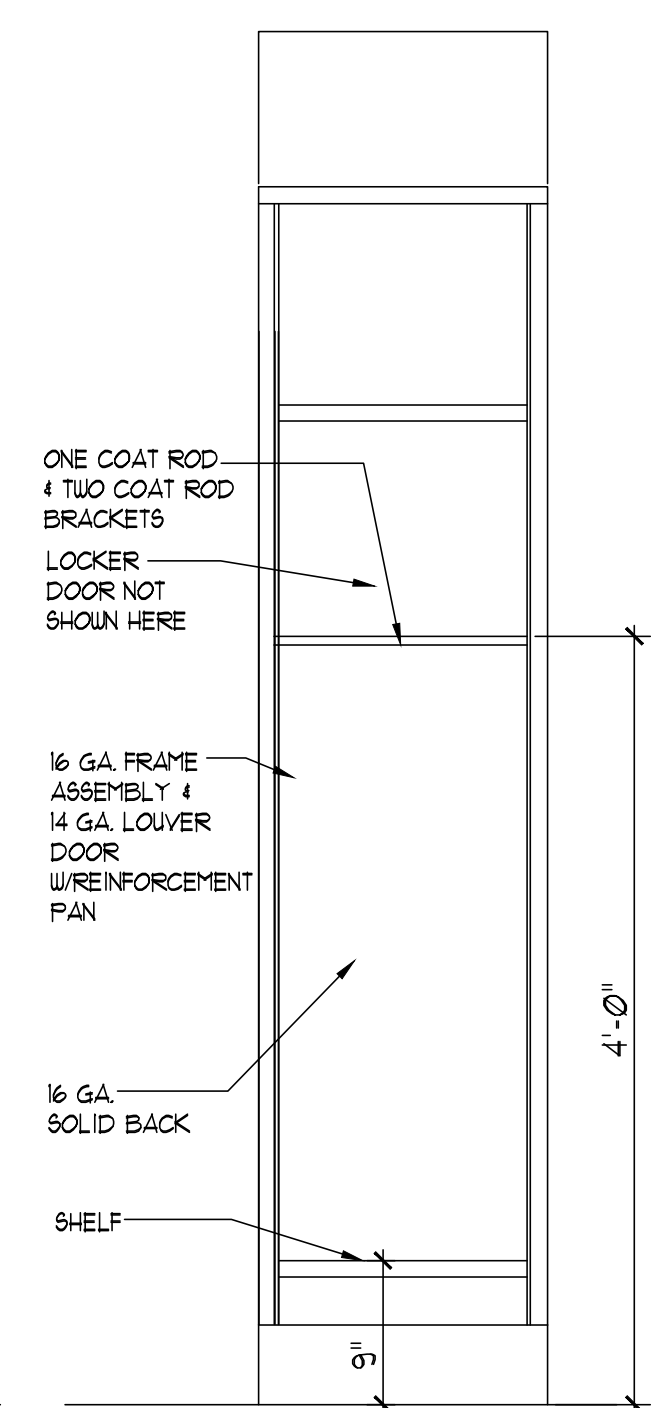
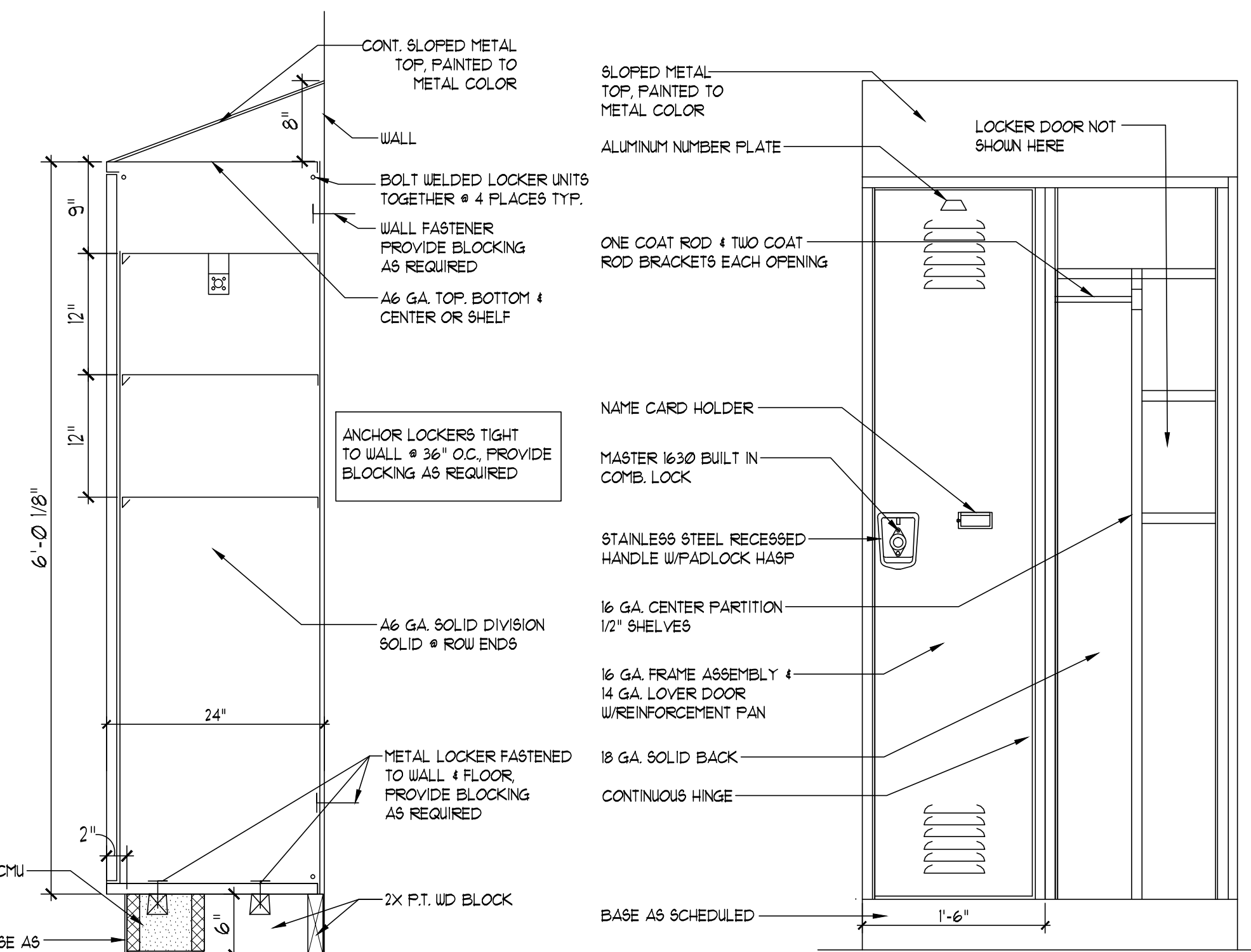
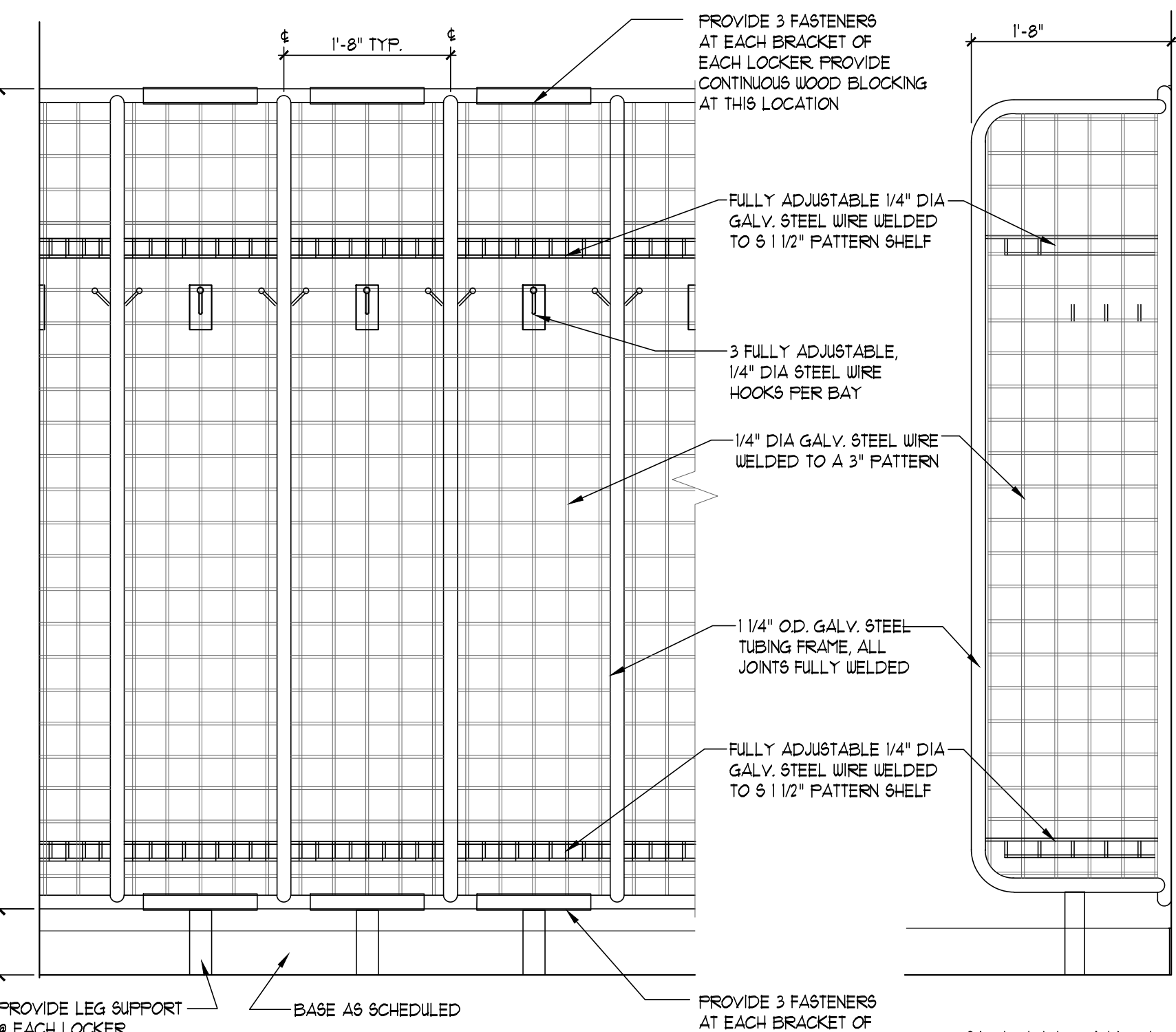
1 CABINET SECTION
A6.2 SCALE: 1 1/2"=1'-0"

2 CABINET SECTION
A6.2 SCALE: 1 1/2"=1'-0"

3 CABINET SECTION
A6.2 SCALE: 1 1/2"=1'-0"

4 DETAIL SECTION @ SHOWER PAN
A6.2 SCALE: 3"=1'-0"

5 DETAIL SECTION @ SHOWER PAN
A6.2 SCALE: 3"=1'-0"



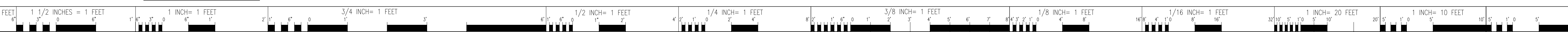
6 READY GEAR LOCKER DETAIL
A6.2 SCALE: 1"=1'-0"

7 SECTION @ LOCKER
A6.2 SCALE: 1"=1'-0"

8 ELEVATION @ LOCKER
A6.2 SCALE: 1"=1'-0"

9 ELEVATION @ ADA LOCKER
A6.2 SCALE: 1"=1'-0"

10 SECTION OF LOCKER BASE
A6.2 SCALE: 1 1/2"=1'-0"



ARCHITECT
ZHA ARCHITECTS
 400 UNIVERSITY DRIVE, SUITE 100, FARMER, VA 22039
 Telephone: (703) 622-1988 Fax: (703) 622-1911

CIVIL
TIMMONS GROUP, INC.
 919 2ND STREET S.E.
 CHARLOTTEVILLE, VA 22902
 PHONE: (434) 295-5624
 FAX: (434) 295-8317

STRUCTURAL
EHLERT/ BRYAN INC.
 1451 DOLLY MADISON BLVD. SUITE #220
 McLEAN, VA 22101
 PHONE: (703) 827 9552

MEP/ ELECT/ PLUMBING
AJ ENGINEERS, INC.
 4304 EVERGREEN LANE, SUITE # 204
 ANNANDALE, VA 22003
 PHONE: (703) 914 1416

THIS DRAWING & THE DESIGN SHOWN THEREON ARE THE PROPERTY OF ZIVIC & HURDLE ARCHITECTS. THE REPRODUCTION, COPYING, OR USE OF THIS DRAWING W/O THEIR SPECIFIC WRITTEN CONSENT IS PROHIBITED & ANY INFRINGEMENT WILL BE SUBJECT TO LEGAL ACTION.

09/30/2016	BID / PERMIT SET	
06/03/2016	DESIGN DEVELOPMENT	
05/06/2016	SCHEMATIC DESIGN	
REVISION	DATE	DESCRIPTION
DESIGNED BY:	CHECKED BY:	
DRAWN BY:	APPROVED BY:	



RESCUE 8 STATION
 ALBEMARLE COUNTY, VA

3045 BERKMAR DR.
 CHARLOTTEVILLE, VA
 ZHA PROJECT NUMBER: 15115.00



SHEET TITLE:
 MILLWORK & MISCELLANEOUS DETAILS

SCALE:

SHEET NO: **A6.2**

ISSUE DATE: